



Chipsmall Limited consists of a professional team with an average of over 10 year of expertise in the distribution of electronic components. Based in Hongkong, we have already established firm and mutual-benefit business relationships with customers from,Europe,America and south Asia,supplying obsolete and hard-to-find components to meet their specific needs.

With the principle of “Quality Parts,Customers Priority,Honest Operation,and Considerate Service”,our business mainly focus on the distribution of electronic components. Line cards we deal with include Microchip,ALPS,ROHM,Xilinx,Pulse,ON,Everlight and Freescale. Main products comprise IC,Modules,Potentiometer,IC Socket,Relay,Connector.Our parts cover such applications as commercial,industrial, and automotives areas.

We are looking forward to setting up business relationship with you and hope to provide you with the best service and solution. Let us make a better world for our industry!



Contact us

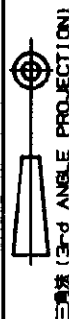
Tel: +86-755-8981 8866 Fax: +86-755-8427 6832

Email & Skype: info@chipsmall.com Web: www.chipsmall.com

Address: A1208, Overseas Decoration Building, #122 Zhenhua RD., Futian, Shenzhen, China

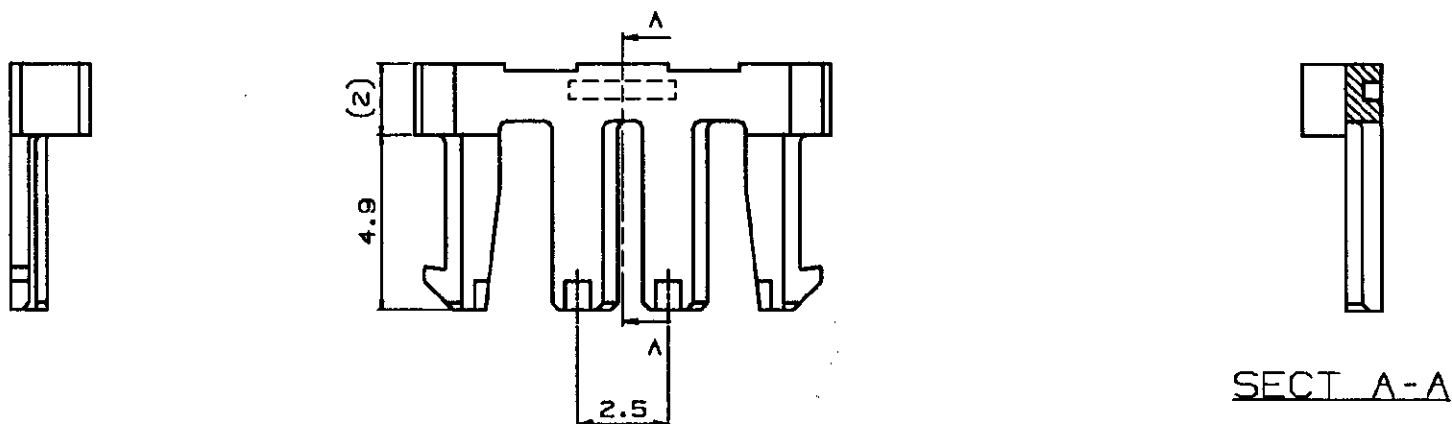
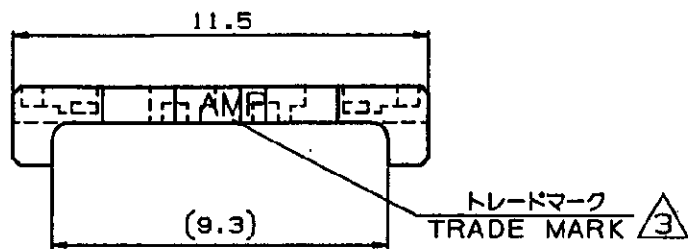


NUMBER C-917700



METRIC

PRINT DIST
単位: 全 DIMENSIONS IN MM. DO NOT SCALE PRINT



- 注 記:
 1. 適用製品規格: 108-5459
 2. 適用製品型番: 表1参照
 表2参照

- NOTES:
 1. PRODUCT SPEC.: 108-5459
 2. APPLICABLE CONN. P/N: SEE TABLE 1
 表2参照

キャップハウジング CAP HOUSING	4	316088
プラグハウジング PLUG HOUSING	4	917688
適用製品 APPLICABLE PRODUCT	量数 (Pos.)	型番 (P/N)

表1
TABLE 1

赤 (RED)	4	917700-2
白黒色 (NATURAL)	4	917700-1
プレート色調 (PLATE COLOR)	量数 (Pos.)	型番 (P/N)

表2
TABLE 2

トレードマーク TRADE MARK	生産場所 MANUFACTURING PLACE
-AMP 又は - OR AMP	日本 JAPAN
++AMP 又は ++ OR AMP	中国 CHINA (PRC)

				tyco Electronics		Tyco Electronics AMP K.K. Kawasaki, Japan	
C	変更	FJD0-0182-04	T.H.N.Y.	2 JUN '04	適合電線径範囲 (WIRE RANGE)	0.93-1.8 mmφ	名称 (NAME)
B	変更	587-00	N.N.	12.05	材料 (MATERIAL)	6/8 2-STEP (UL94V-0)	2.5mm シグナルダブルロック 4極ダブルロックプレート
A	変更	587-00	A.O.Y.K.	6.05	6/8 WIRE BARE FILLER	---	2.5mm SIGNAL DBL-LOCK 4P DBL LOCK PLATE
O	作成		Y.N.Y.K.	24 MAY '05	DR. Y. NOGUCHI	DE. Y. NOGUCHI	一般公差 (GENERAL TOLERANCE)
LTR	変更 (REVISION RECORD)		DR	CHK	DATE	Y. KASHIWA	Y. KASHIWA
						10 MP ± 0.2 10 MAX 30 MP ± 0.25 30 MAX 100 MP ± 0.3 角度 1: 45°	
						尺取 (SCALE) 5-1 番号 (No.) B J C-917700 REV. C SHEET 1 OF 1	