



Chipsmall Limited consists of a professional team with an average of over 10 year of expertise in the distribution of electronic components. Based in Hongkong, we have already established firm and mutual-benefit business relationships with customers from,Europe,America and south Asia,supplying obsolete and hard-to-find components to meet their specific needs.

With the principle of “Quality Parts,Customers Priority,Honest Operation,and Considerate Service”,our business mainly focus on the distribution of electronic components. Line cards we deal with include Microchip,ALPS,ROHM,Xilinx,Pulse,ON,Everlight and Freescale. Main products comprise IC,Modules,Potentiometer,IC Socket,Relay,Connector.Our parts cover such applications as commercial,industrial, and automotives areas.

We are looking forward to setting up business relationship with you and hope to provide you with the best service and solution. Let us make a better world for our industry!



Contact us

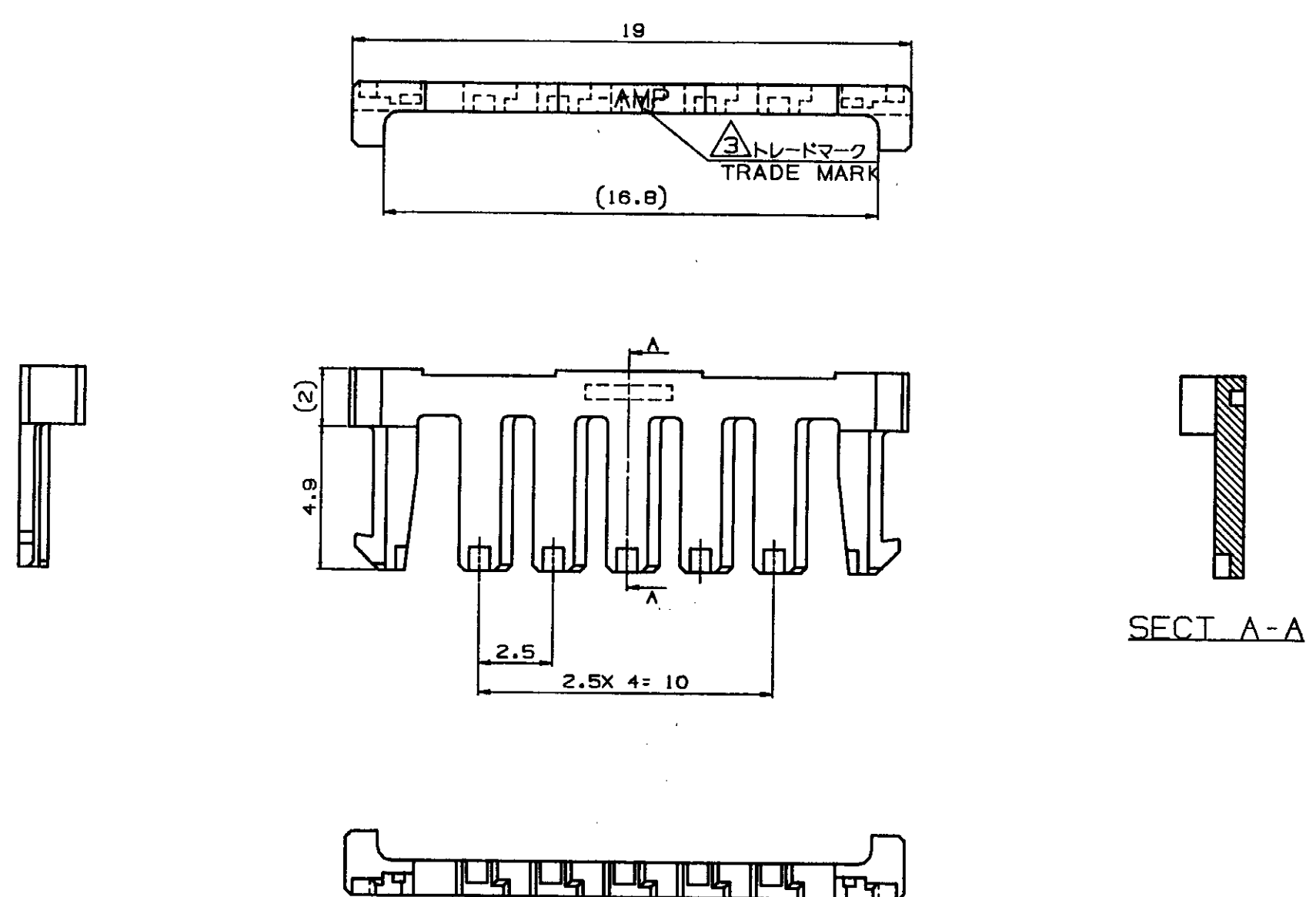
Tel: +86-755-8981 8866 Fax: +86-755-8427 6832

Email & Skype: info@chipsmall.com Web: www.chipsmall.com

Address: A1208, Overseas Decoration Building, #122 Zhenhua RD., Futian, Shenzhen, China



NUMBER C-917703
METRIC
三等法 (3rd ANGLE PROJECTION)



注記:
1. 適用製品規格: 108-5459
2. 適用製品型番: 表1参照
表2参照

NOTES:
1. PRODUCT SPEC.: 108-5459
2. APPLICABLE CONN. P/N: SEE TABLE 1
SEE TABLE 2

キャップハウジング CAP HOUSING	7	316091
プラグハウジング PLUG HOUSING	7	917691
適用製品 APPLICABLE PRODUCT	個数 (Pos.)	型番 (P/N)

表1
TABLE 1

自然色 (NATURAL)	7	917703-1
プレート色調 (PLATE COLOR)	個数 (Pos.)	型番 (P/N)

表2
TABLE 2

トレードマーク TRADE MARK	生産場所 MANUFACTURING PLACE
-AMP 又は - OR AMP	日本 JAPAN
+AMP 又は + OR AMP	中国 CHINA (PRC)

Copyright © 19 年 日本イー・エム・ピー株式会社		Copyright © 19 年 AMP (Japan), LTD. ALL RIGHTS RESERVED.		AMP		日本イー・エム・ピー株式会社 Tokyo, Japan	
絶合電線断面積 (WIRE RANGE) --- mm ² (AWG ---)		被覆外径 (INSULATION DIA.) 0.93-1.8 mmφ		名称 (NAME) 2.5mm シグナルダブルロック 7極ダブルロックプレート 2.5mm SIGNAL DBL-LOCK 7P DBL LOCK PLATE			
材料 (MATERIAL) 0/0 NYLON (UL94V-0) 0/0 NYLON SLABS FILLED (UL-94V-0)		仕上 (FINISH) ---		一般公差 (GENERAL TOLERANCE) 10mm以下: ±0.2 10mm以上30mm以下: ±0.25 30mm以上100mm以下: ±0.3 角度: ±3°		LOC B J	番号 (No.) C-917703
DR. Y. NOGUCHI CHK. Y. KASHIWA		DE. Y. NOGUCHI APP. Y. KASHIWA		尺貫 (SCALE) 5-1	REV. B	SHEET 1 OF 1	
LTR 変更 (REVISION RECORD)		DR	CHK	DATE			

PRINT DIST
単位: 高さ DIMENSIONS IN MM. DO NOT SCALE PRINT