



Chipsmall Limited consists of a professional team with an average of over 10 year of expertise in the distribution of electronic components. Based in Hongkong, we have already established firm and mutual-benefit business relationships with customers from,Europe,America and south Asia,supplying obsolete and hard-to-find components to meet their specific needs.

With the principle of "Quality Parts,Customers Priority,Honest Operation,and Considerate Service",our business mainly focus on the distribution of electronic components. Line cards we deal with include Microchip,ALPS,ROHM,Xilinx,Pulse,ON,Everlight and Freescale. Main products comprise IC,Modules,Potentiometer,IC Socket,Relay,Connector.Our parts cover such applications as commercial,industrial, and automotives areas.

We are looking forward to setting up business relationship with you and hope to provide you with the best service and solution. Let us make a better world for our industry!



Contact us

Tel: +86-755-8981 8866 Fax: +86-755-8427 6832

Email & Skype: info@chipsmall.com Web: www.chipsmall.com

Address: A1208, Overseas Decoration Building, #122 Zhenhua RD., Futian, Shenzhen, China



NUMBER 917764

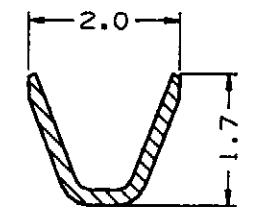
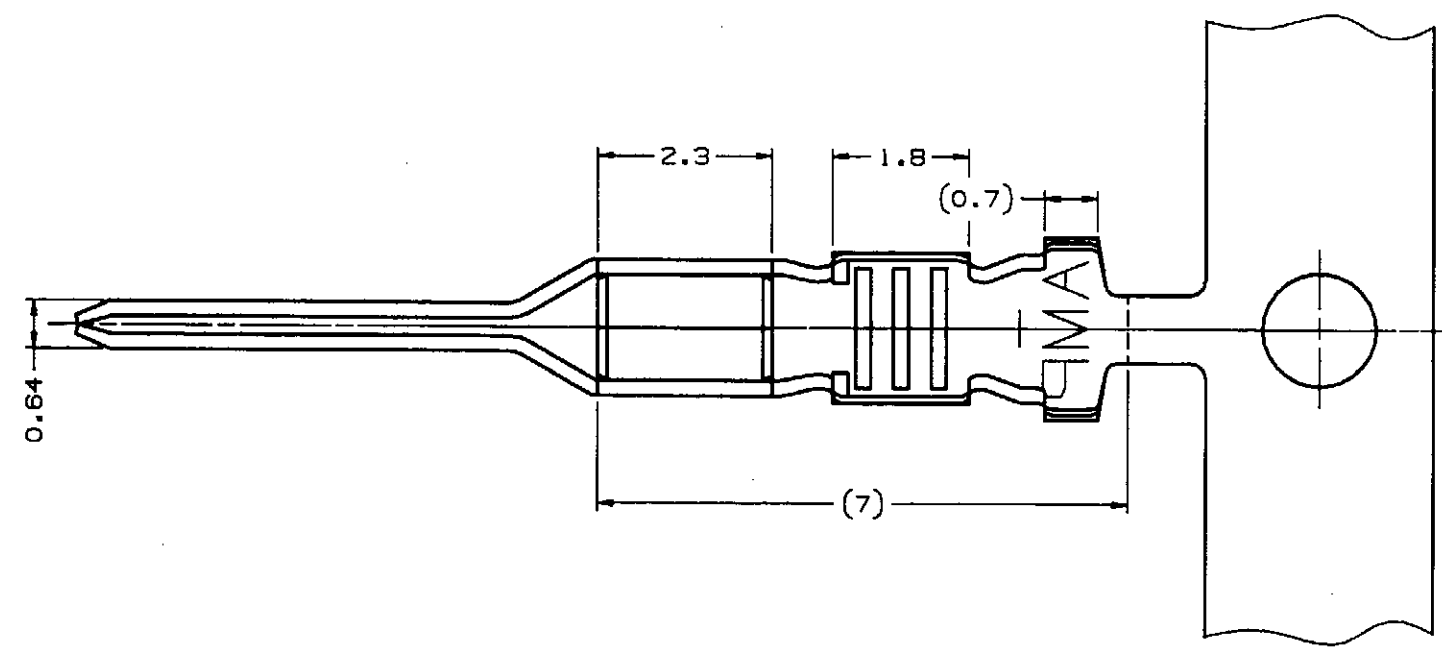


METRIC

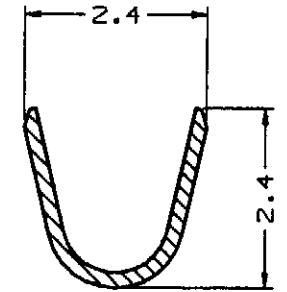
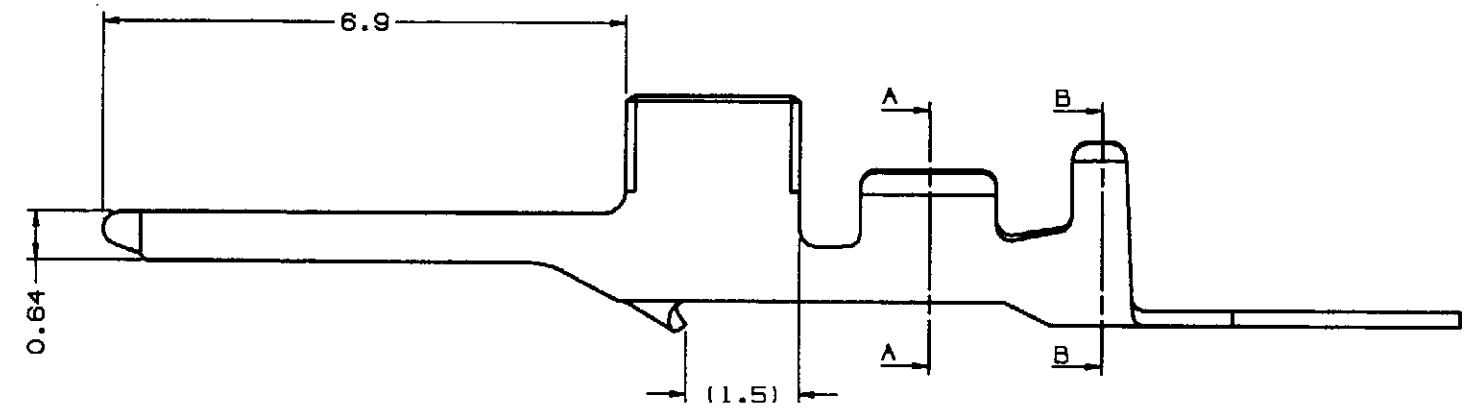
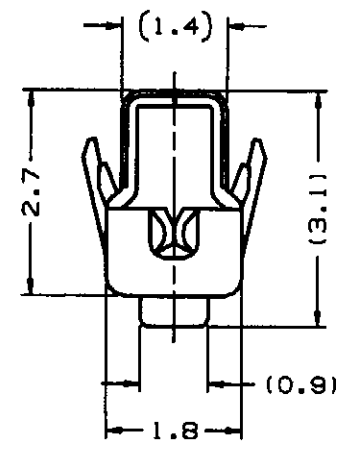
PRINT DIST 単位: 諸 DIMENSIONS IN MM. DO NOT SCALE PRINT

- 注 記:
1. 使用ハウジングは型番 316086/316097
 2. 製品規格; 108-5459
 3. 取付適用規格; 114-5203

- NOTES:
1. USE HOUSING P/N 316086/316097
 2. PRODUCT SPEC.; 108-5459
 3. APPLICATION SPEC.; 114-5203



断面 "A" - "A" SECT. A-A



断面 "B" - "B" SECT. B-B

PRE TINNED PHOSPHOR BRONZE(0.2t) 錫めっき済黄銅(板厚0.2)		917764-1
MATERIAL & FINISHI 材質及び仕上げ		PART NO. 型番
Copyright © 19 年 日本イー・エム・ピー株式会社	Copyright © 19 年 AMP (Japan), LTD. ALL RIGHTS RESERVED.	AMP 日本イー・エム・ピー株式会社 Tokyo, Japan
適合電線径 (WIRE RANGE) 0.3 - 0.53mm ² (AWG#22-#20)	被覆外径 (INSULATION DIA.) 1.4 - 1.8 mm ϕ	名称 (NAME) 2.5 シグナル ダブルロック タブ コンタクト (L) 2.5 SIGNAL DBL-LOCK TAB CONTACT (L)
材料 (MATERIAL) SEE TABLE 表参照	仕上 (FINISH) SEE TABLE 表参照	一般公差 (GENERAL TOLERANCE) 10MM: ± 0.2 100MM: ± 0.25 300MM: ± 0.3 角度: $\pm 3^\circ$
A 変更 (FJ00-0264-97) N.N	DR. 8 SEP. '95 A.OISHI	REV. (SCALE) 10-1
O 作成 (FJ00-3222-95) A.O.Y.K	DE. 8 SEP. '95 Y.NOGUCHI	REV. A
LTR 変更 (REVISION RECORD) DR CHK DATE	CHK. 8 SEP. '95 Y.KASHIWA APP. 8 SEP. '95 Y.KASHIWA	SHEET 1 OF 1

PRINT DIST

AMP-J010-2C REV.3'93