



Chipsmall Limited consists of a professional team with an average of over 10 year of expertise in the distribution of electronic components. Based in Hongkong, we have already established firm and mutual-benefit business relationships with customers from,Europe,America and south Asia,supplying obsolete and hard-to-find components to meet their specific needs.

With the principle of “Quality Parts,Customers Priority,Honest Operation,and Considerate Service”,our business mainly focus on the distribution of electronic components. Line cards we deal with include Microchip,ALPS,ROHM,Xilinx,Pulse,ON,Everlight and Freescale. Main products comprise IC,Modules,Potentiometer,IC Socket,Relay,Connector.Our parts cover such applications as commercial,industrial, and automotives areas.

We are looking forward to setting up business relationship with you and hope to provide you with the best service and solution. Let us make a better world for our industry!



## Contact us

Tel: +86-755-8981 8866 Fax: +86-755-8427 6832

Email & Skype: info@chipsmall.com Web: www.chipsmall.com

Address: A1208, Overseas Decoration Building, #122 Zhenhua RD., Futian, Shenzhen, China



NUMBER 917765

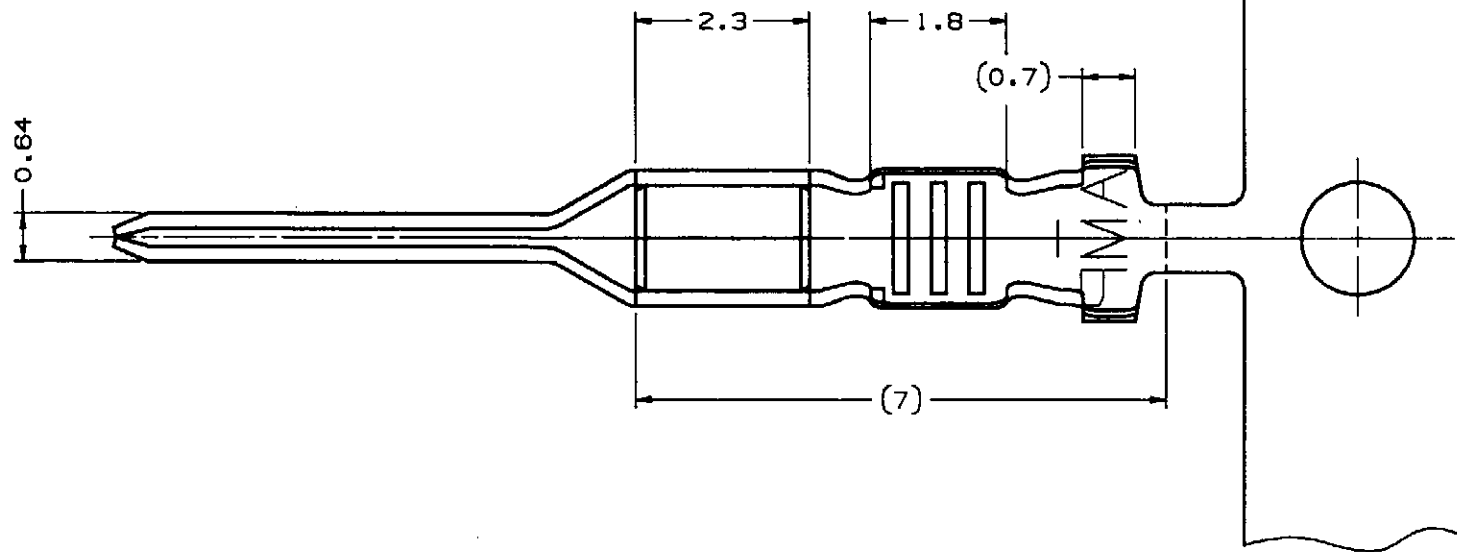


METRIC

単位: 全 DIMENSIONS IN MM. DO NOT SCALE PRINT

PRINT DIST

AMP-J010-2C  
REV. 3/83

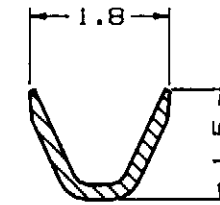


注 記:

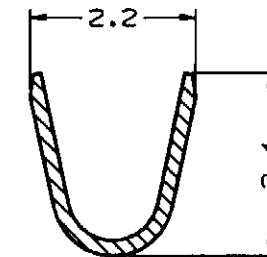
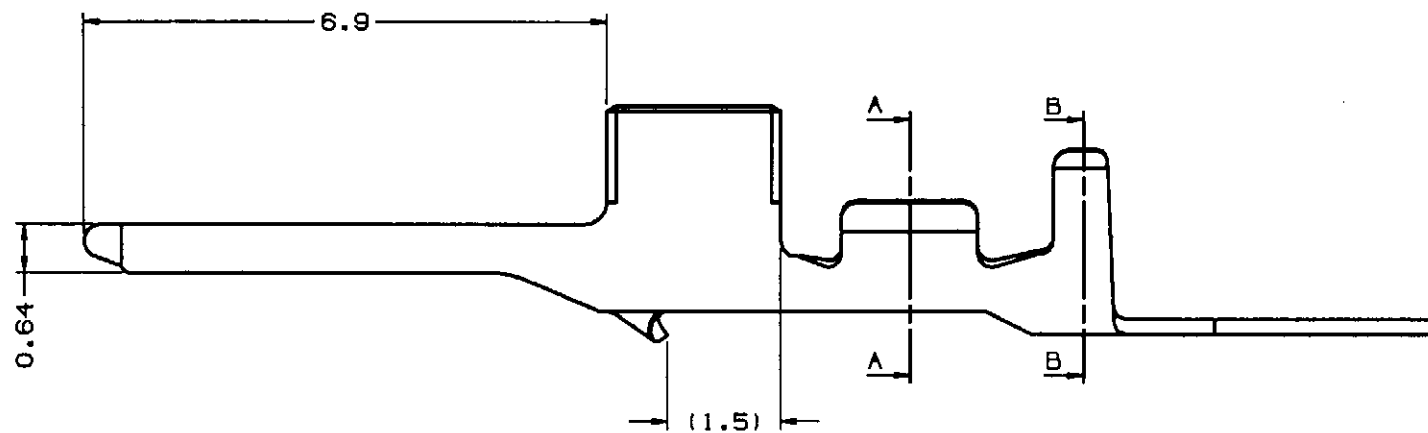
1. 使用ハウジングは型番 316086/316097
2. 製品規格: 108-5459
3. 取付適用規格: 114-5203

NOTES:

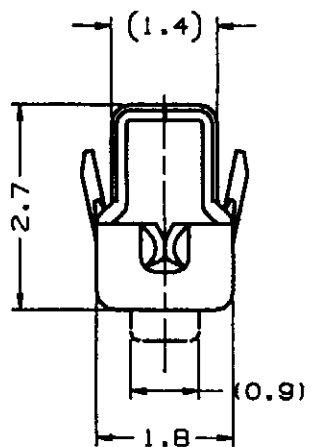
1. USE HOUSING P/N 316086/316097
2. PRODUCT SPEC. ; 108-5459
3. APPLICATION SPEC. ; 114-5203



断面 "A" - "A"  
SECT. A-A



断面 "B" - "B"  
SECT. B-B



PRE TINNED PHOSPHOR BRONZE (0.2t)  
鍍めつき黄銅青銅 (板厚0.2)

917765-1

MATERIAL & FINISHI  
材質及び仕上げ

PART NO.  
型番

Copyright © 19...  
日本イー・エム・ピー株式会社

Copyright © 19...  
AMP (Japan), LTD.  
ALL RIGHTS RESERVED.



日本イー・エム・ピー株式会社  
Tokyo, Japan

適合電線断面積 (WIRE RANGE)  
0.12 -  
0.35mm<sup>2</sup> (AWG#28-#22)

被覆外径 (INSULATION DIA.)  
0.93 - 1.5 mmφ

名称 (NAME)

2.5 シグナル ダブルロック タブ コンタクト (M)  
2.5 SIGNAL DBL-LOCK TAB CONTACT (M)

材料 (MATERIAL)  
SEE TABLE  
表参照

仕上 (FINISH)  
SEE TABLE  
表参照

一般公差  
(GENERAL TOLERANCE)  
10mm ± 0.2  
10mm 以下 ± 0.25  
30mm 以下 ± 0.3  
角度 ± 3°

LOC

B J

番番 (No.)

917765

A 変更 (FJ00-0264-97) N.N. 20 SEP '97

O 作成 (FJ00-3222-95) A.O.Y.K. 8 SEP '95

LTR 変更 (REVISION RECORD) DR CHK DATE

DR. 8 SEP '95  
A.OISHI

CHK. 8 SEP '95  
Y.KASHIWA

DE. 8 SEP '95  
Y.NOGUCHI

APP. 8 SEP '95  
Y.KASHIWA

尺度 (SCALE)

10-1

REV.

A

SHEET

1 OF 1

(CUSTOMER DRAWING)

参考図面