



Chipsmall Limited consists of a professional team with an average of over 10 year of expertise in the distribution of electronic components. Based in Hongkong, we have already established firm and mutual-benefit business relationships with customers from,Europe,America and south Asia,supplying obsolete and hard-to-find components to meet their specific needs.

With the principle of “Quality Parts,Customers Priority,Honest Operation,and Considerate Service”,our business mainly focus on the distribution of electronic components. Line cards we deal with include Microchip,ALPS,ROHM,Xilinx,Pulse,ON,Everlight and Freescale. Main products comprise IC,Modules,Potentiometer,IC Socket,Relay,Connector.Our parts cover such applications as commercial,industrial, and automotives areas.

We are looking forward to setting up business relationship with you and hope to provide you with the best service and solution. Let us make a better world for our industry!



Contact us

Tel: +86-755-8981 8866 Fax: +86-755-8427 6832

Email & Skype: info@chipsmall.com Web: www.chipsmall.com

Address: A1208, Overseas Decoration Building, #122 Zhenhua RD., Futian, Shenzhen, China



NUMBER C-917784

三軸線 (3-φ ANGLE PROJECTION)

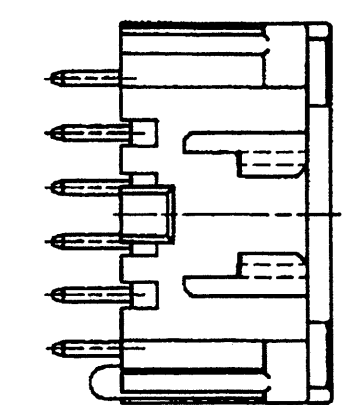
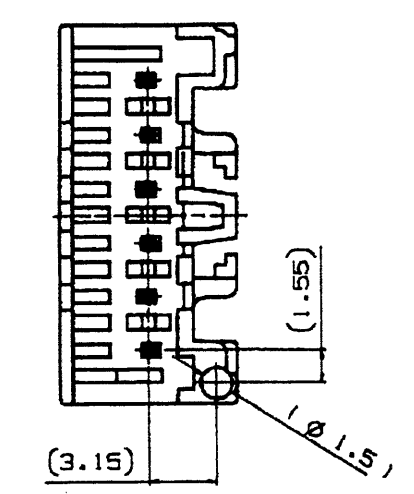
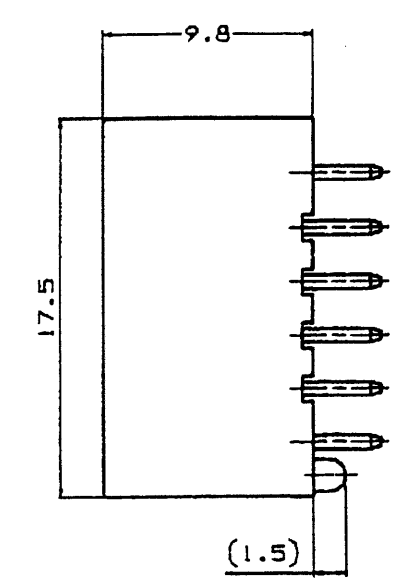
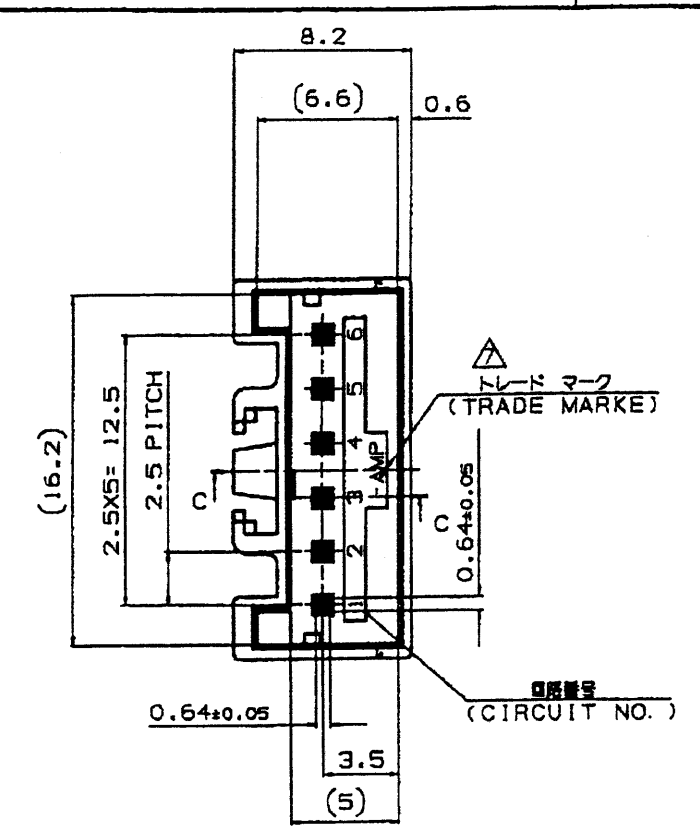
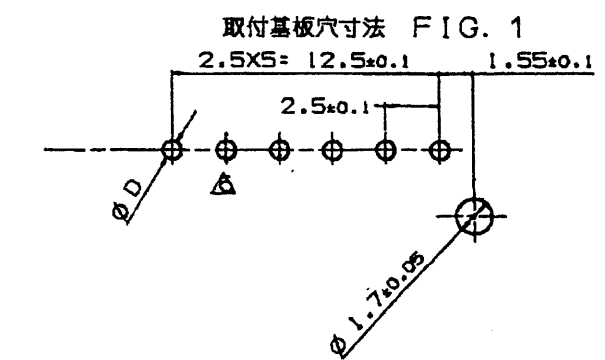
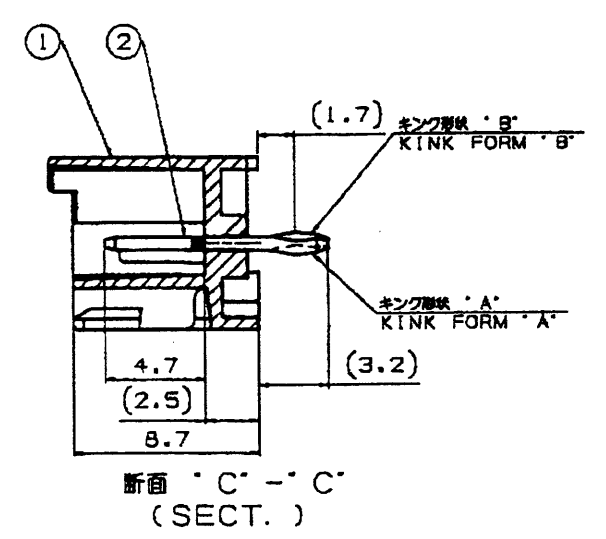


表1 TABLE 1

部品番号 PART NO.	名称 PART NAME	材質、表面処理 MATERIAL & FINISH
①	ヘッダーハウジング HEADER HOUSING	66ナイロンガラス強化(UL94V-0) 66 NYLON GLASS FILLED CTI : UL LEVEL2, 250~399V
②	ポスト コンタクト POST CONTACT	錫めっき銅合金 PRE TIN COPPER ALLOY



- 注 記:
- 製品規格 : 108-5459
 - 適用基板厚 : 1.6t
 - 嵌合相手製品型番
プラグハウジング : 917690
リセコンタクト : 917683
917684
 - キンク位置は表2参照
 - 適用基板穴寸法 : FIG. 1 参照
適用基板穴径
パンチ加工穴 : 0.9^{+0.1}₀
ドリル加工穴 : 1.1±0.05

表3 (TABLE 3)

トレードマーク TRADE MARK	生産場所 MANUFACTURING PLACE
-AMP 又は - OR AMP	日本 JAPAN
--AMP 又は -- OR AMP	中国 CHINA(PRC)
=AMP 又は = OR AMP	韓国 KOREA

表2 TABLE 2

キンク形状 TYPE OF KINK FORM	回路番号 CIRCUIT NO.												
	1	2	3	4	5	6	7	8	9	10	11	12	13
A	B	A	B	A	B	-	-	-	-	-	-	-	-

△ OBSOLETE : 917784-2.

WITHOUT 無し	WITH 有り	BLACK 黒色	6	2-917784-9
WITHOUT 無し	WITH 有り	RED 赤色	6	2-917784-2
WITHOUT 無し	WITH 有り	NATURAL 自然色	6	2-917784-1
WITH 有り	WITH 有り	BLACK 黒色	6	917784-9
WITH 有り	WITH 有り	RED 赤色	6	△ 917784-2
WITH 有り	WITH 有り	NATURAL 自然色	6	917784-1
BOSS ボス	KINK FORM キンク加工	COLLOR 色 黒	Pos. 種数	PART NO. 型番

- NOTES:
- PRODUCT SPEC. ; 108-5459
 - APPLICABLE P.C.B THK. ; 1.6t
 - MATING CONN. P/N
PLUG HOUSING ; 917690
REC. CONTACT ; 917683
917684
 - KINKING POSITION (SEE TABLE2)
 - APPLICABLE P.C.B LAYOUT SEE FIG.1
 - APPLICABLE P.C.B HOLE DIA.
PUNCHED HOLE; 0.9^{+0.1}₀
DRILLED HOLE; 1.1±0.05
 - SEE TABLE3

F1	REVISED PER ECR-15-018479	05MAR2016	NK	NL
LTR	DESCRIPTION	DATE	DWN	APVD

適合電線範囲 (WIRE RANGE) --- mm ² (AWG . . .)	被覆外径 (INSULATION DIA.) --- mmφ	名称 (NAME) 2.5mm シグナルダブルロック 6極 ポストヘッダーアッセンブリー(Vタイプ)
材料 (MATERIAL) SEE TABLE 1 表1参照	仕上 (FINISH) SEE TABLE 1 表1参照	2.5mm SIGNAL DBL-LOCK 6P POST HEADER ASS'Y
DR. Y. NOGUCHI 12 MAY. '95	DE. Y. NOGUCHI 12 MAY. '95	一般公差 (GENERAL TOLERANCE) 10 REF : ±0.2 100 REF : ±0.25 30 REF : ±0.3 角度 : ±3°
CHK. Y. KASHIWA 12 MAY. '95	APP. Y. KASHIWA 12 MAY. '95	LOD 番号 (No.) C-917784
R尺 (SCALE) 3-1	REV. F1	SHEET 1 OF 1



PRINT DIST 単位: 高さ DIMENSIONS IN MM. DO NOT SCALE PRINT

PRINT DIST