

Chipsmall Limited consists of a professional team with an average of over 10 year of expertise in the distribution of electronic components. Based in Hongkong, we have already established firm and mutual-benefit business relationships with customers from,Europe,America and south Asia,supplying obsolete and hard-to-find components to meet their specific needs.

With the principle of “Quality Parts,Customers Priority,Honest Operation,and Considerate Service”,our business mainly focus on the distribution of electronic components. Line cards we deal with include Microchip,ALPS,ROHM,Xilinx,Pulse,ON,Everlight and Freescale. Main products comprise IC,Modules,Potentiometer,IC Socket,Relay,Connector.Our parts cover such applications as commercial,industrial, and automotives areas.

We are looking forward to setting up business relationship with you and hope to provide you with the best service and solution. Let us make a better world for our industry!



## Contact us

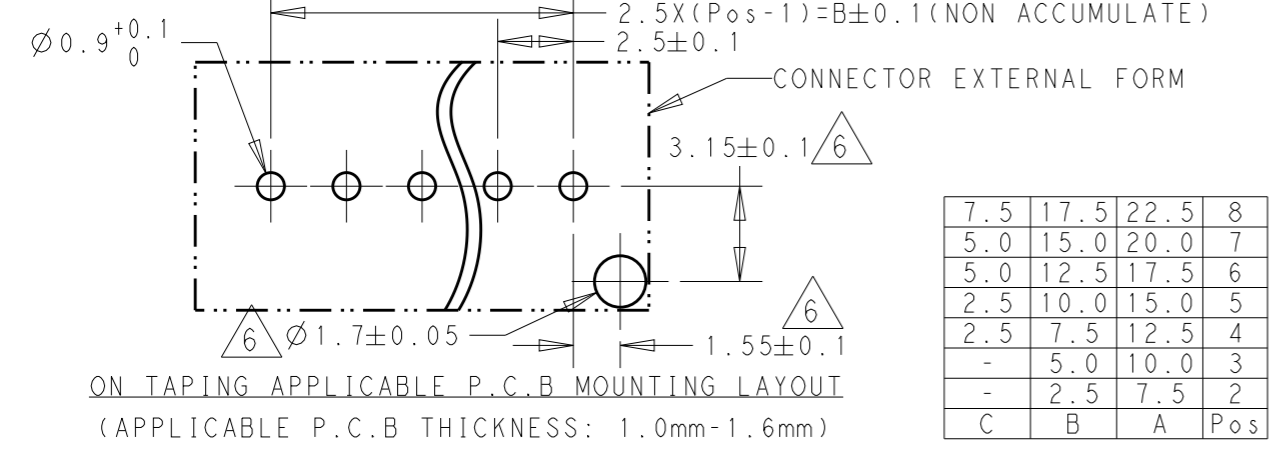
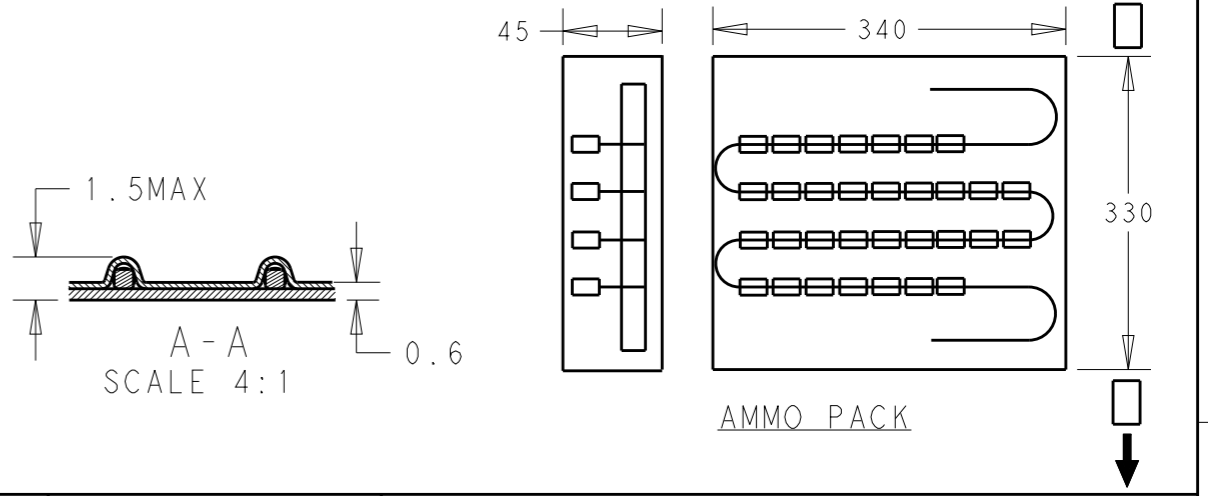
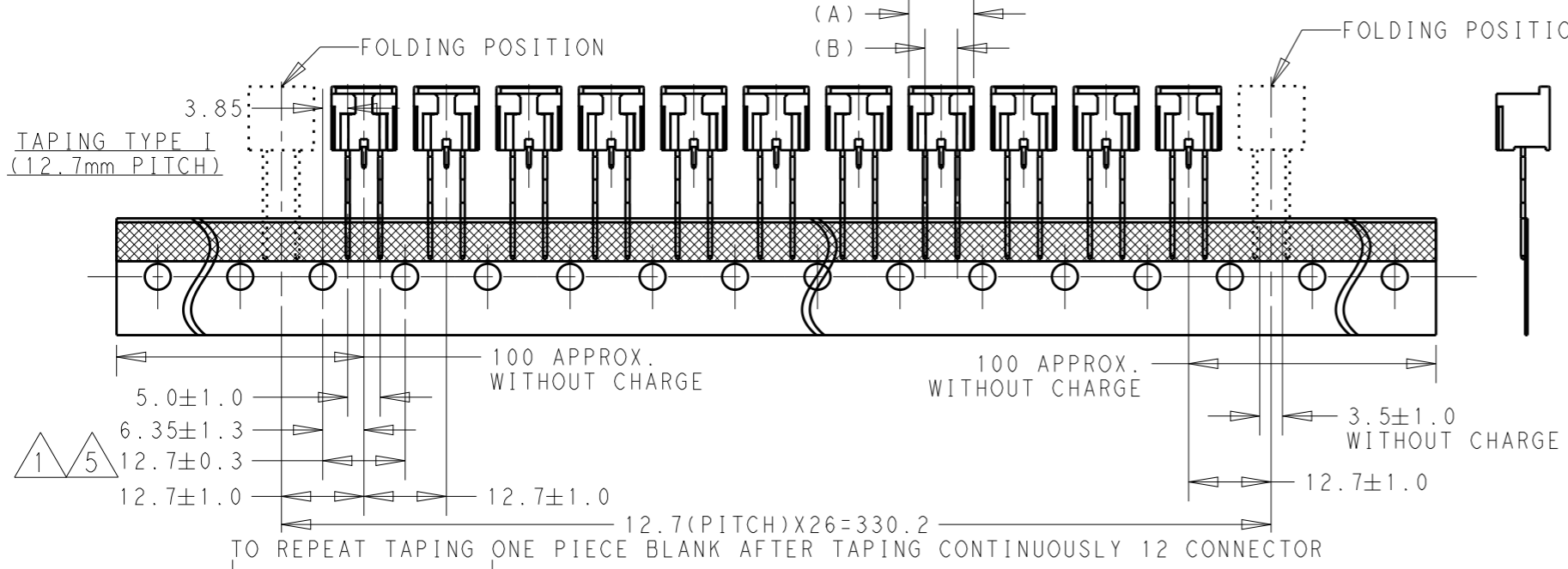
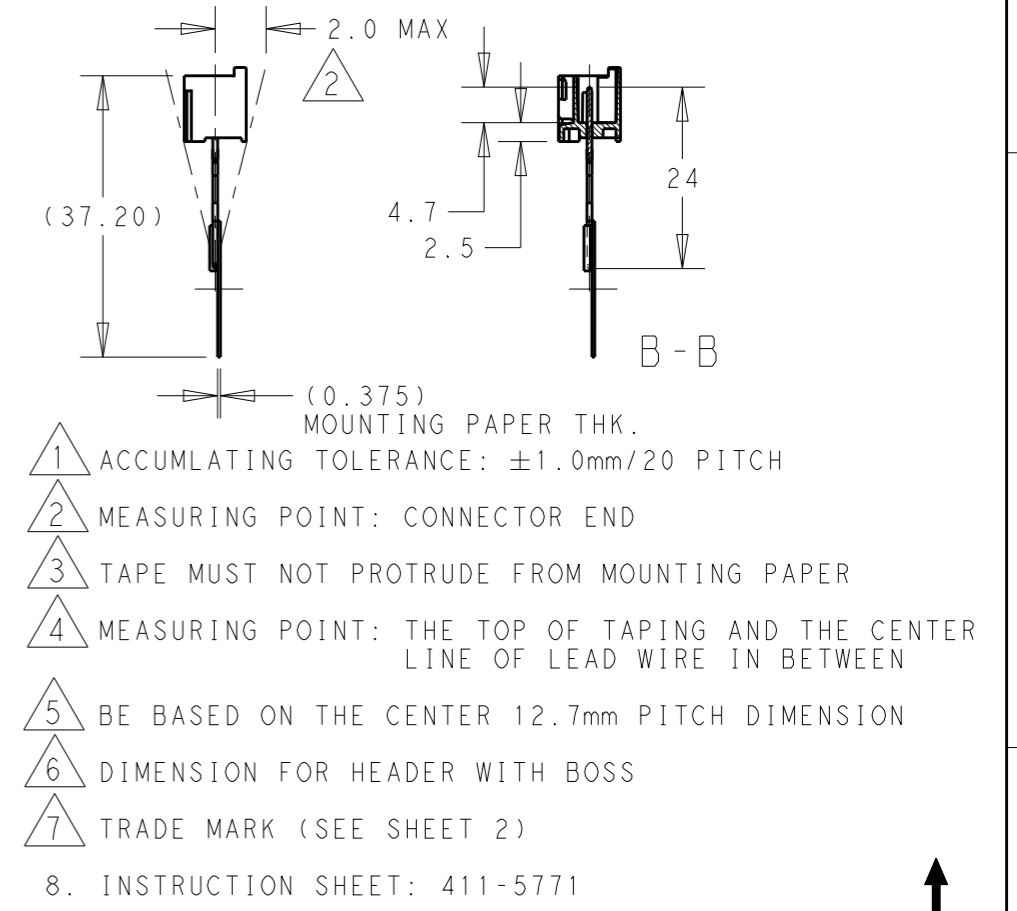
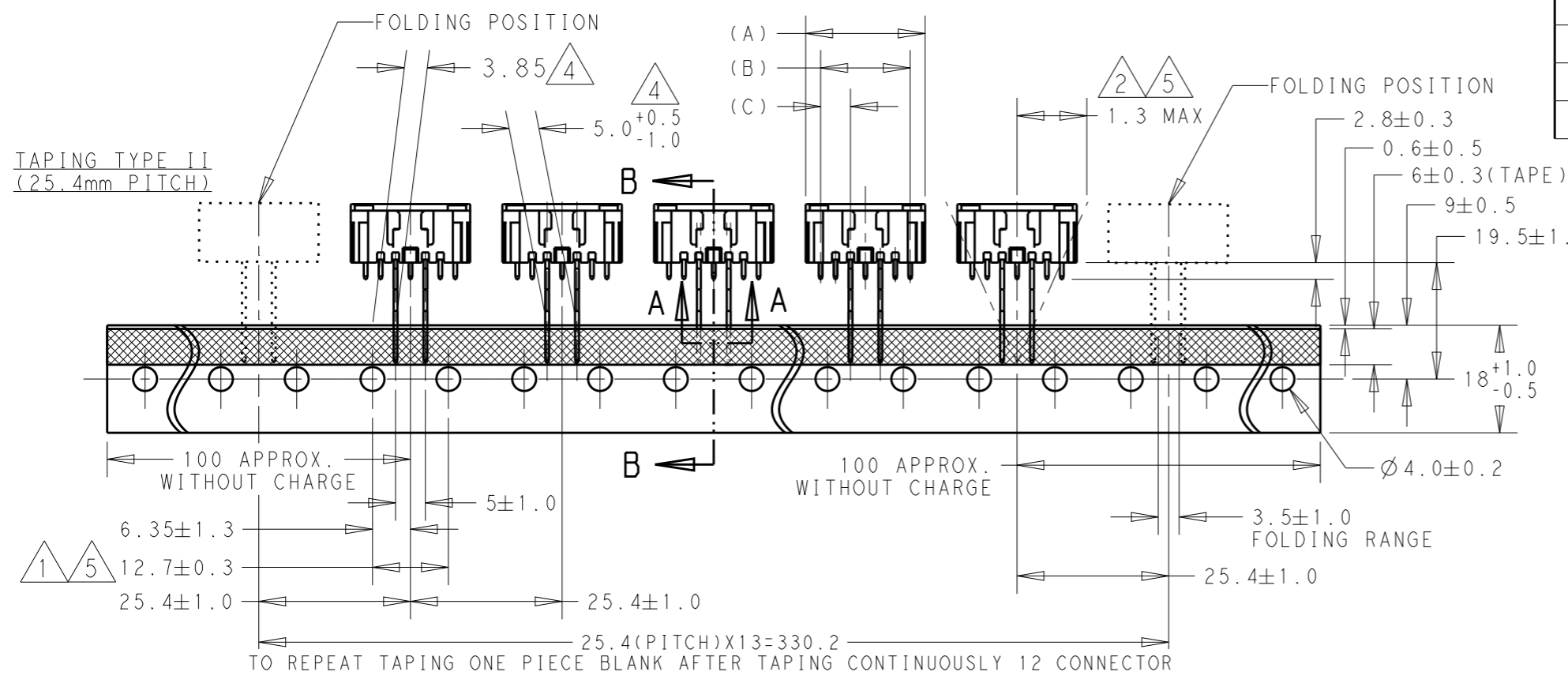
Tel: +86-755-8981 8866 Fax: +86-755-8427 6832

Email & Skype: [info@chipsmall.com](mailto:info@chipsmall.com) Web: [www.chipsmall.com](http://www.chipsmall.com)

Address: A1208, Overseas Decoration Building, #122 Zhenhua RD., Futian, Shenzhen, China

THIS DRAWING IS UNPUBLISHED. RELEASED FOR PUBLICATION 2017  
 © COPYRIGHT 2017 BY - ALL RIGHTS RESERVED.

REVISIONS					
P	LTR	DESCRIPTION	DATE	DWN	APVD
	H3	REVISED PER ECR-17-000150	11JAN2017	K.S	D.Z



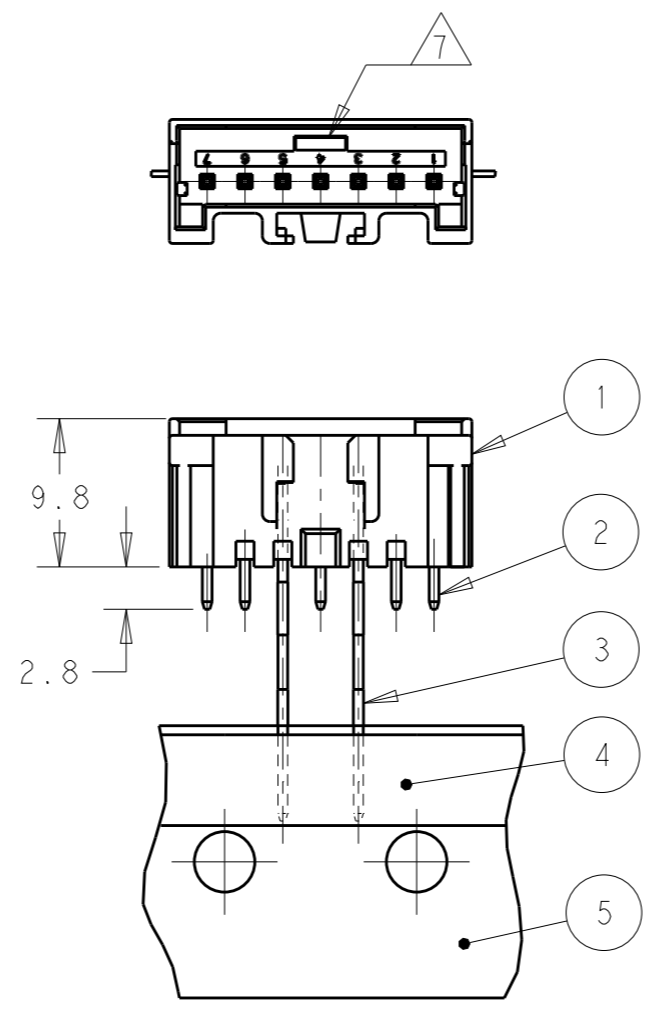
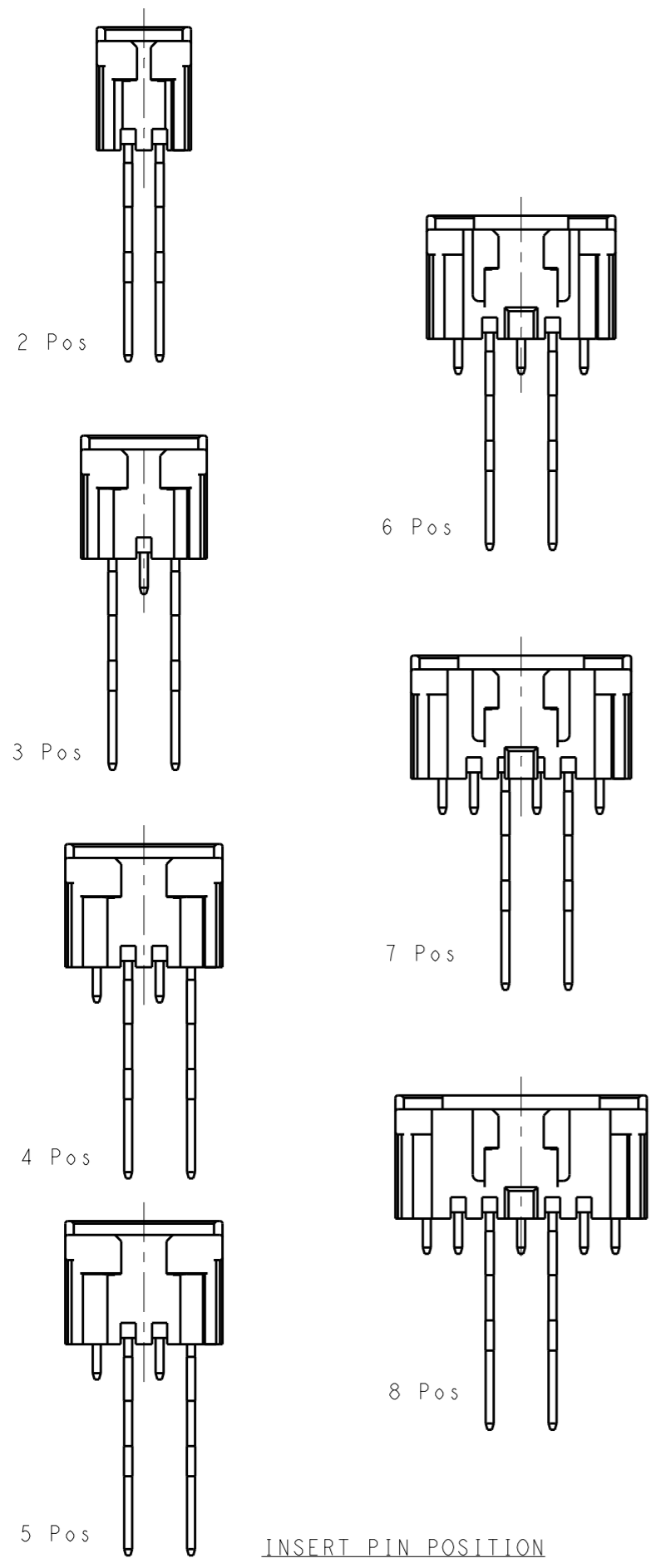
THIS DRAWING IS A CONTROLLED DOCUMENT.

DIMENSIONS:	TOLERANCES UNLESS OTHERWISE SPECIFIED:
mm	0 PLC ± ~10±0.2
	1 PLC ± 10~30±0.25
	2 PLC ± 30~100±0.3
	3 PLC ±
	4 PLC ±
	ANGLES ±3°
MATERIAL SEE TABLE 2	FINISH -

DWN K. SAKAI 11JAN2017	TE Connectivity	NAME ON TAPING 2.5mm SIGNAL DOUBLE LOCK STANDARD TYPE HEADER ASSEMBLY		
CHK DANIEL ZHANG 11JAN2017				
APVD DANIEL ZHANG 11JAN2017				
PRODUCT SPEC 108-5459				
APPLICATION SPEC -	SIZE A3	CAGE CODE -	DRAWING NO. C-917894	RESTRICTED TO -
WEIGHT -	SCALE 1:1		SHEET 1 OF 2	REV H3
CUSTOMER DRAWING				

THIS DRAWING IS UNPUBLISHED. RELEASED FOR PUBLICATION 2017  
 © COPYRIGHT 2017 BY - ALL RIGHTS RESERVED.

REVISIONS					
P	LTR	DESCRIPTION	DATE	DWN	APVD
	-	SEE SHEET 1	-	-	-



ITEM NO.	NAME	MATERIAL & FINISH
①	HEADER HOUSING	66 NAYLON GLASS FILLED CTI: 250 ~ 399
②	POST CONTACT	PRE-TIN COPPER ALLOY
③	RADIALPIN	PRE-TIN COPPER ALLOY
④	TAPE	THERMAL PAPER
⑤	MOUNTING PAPER	CRAFT PAPER

WITHOUT	NATURAL	II	450	8	917900-1	
WITHOUT	YELLOW	II	450	7	917899-4	
WITH	RED	II	450	7	3-917899-2	
WITH	NATURAL	II	450	7	3-917899-1	
WITHOUT	NATURAL	II	450	7	917899-1	
WITHOUT	NATURAL	II	450	6	917898-1	
WITHOUT	RED	II	450	5	917897-2	
WITHOUT	NATURAL	II	450	5	917897-1	
WITHOUT	NATURAL	II	450	4	917896-1	
WITHOUT	BLACK	I	900	3	917895-9	
WITHOUT	BLUE	I	900	3	917895-6	
OBSOLETE	WITHOUT	RED	I	900	3	917895-2
WITHOUT	NATURAL	I	900	3	917895-1	
WITHOUT	BLUE	I	900	2	917894-6	
WITHOUT	NATURAL	I	900	2	917894-1	
BOSS	COLOR	TAPING TYPE	QTY	Pos	P/N (ON TAPING)	

THIS DRAWING IS A CONTROLLED DOCUMENT.		DWN K. SAKAI 11 JAN 2017	TE Connectivity ON TAPING 2.5mm SIGNAL DOUBLE LOCK STANDARD TYPE HEADER ASSEMBLY		
DIMENSIONS: mm		CHK DANIEL ZHANG 11 JAN 2017			
TOLERANCES UNLESS OTHERWISE SPECIFIED:		APVD DANIEL ZHANG 11 JAN 2017			
0 PLC ± 1 PLC ± 2 PLC ± 3 PLC ± 4 PLC ± ANGLES ±3°		PRODUCT SPEC 108-5459			
MATERIAL SEE TABLE 2		FINISH -	APPLICATION SPEC -	WEIGHT -	RESTRICTED TO -
CUSTOMER DRAWING			SIZE A3	CAGE CODE -	DRAWING NO C-917894
			SCALE 2:1	SHEET 2 OF 2	REV H3