



Chipsmall Limited consists of a professional team with an average of over 10 year of expertise in the distribution of electronic components. Based in Hongkong, we have already established firm and mutual-benefit business relationships with customers from,Europe,America and south Asia,supplying obsolete and hard-to-find components to meet their specific needs.

With the principle of "Quality Parts,Customers Priority,Honest Operation,and Considerate Service",our business mainly focus on the distribution of electronic components. Line cards we deal with include Microchip,ALPS,ROHM,Xilinx,Pulse,ON,Everlight and Freescale. Main products comprise IC,Modules,Potentiometer,IC Socket,Relay,Connector.Our parts cover such applications as commercial,industrial, and automotives areas.

We are looking forward to setting up business relationship with you and hope to provide you with the best service and solution. Let us make a better world for our industry!



## Contact us

Tel: +86-755-8981 8866 Fax: +86-755-8427 6832

Email & Skype: info@chipsmall.com Web: www.chipsmall.com

Address: A1208, Overseas Decoration Building, #122 Zhenhua RD., Futian, Shenzhen, China



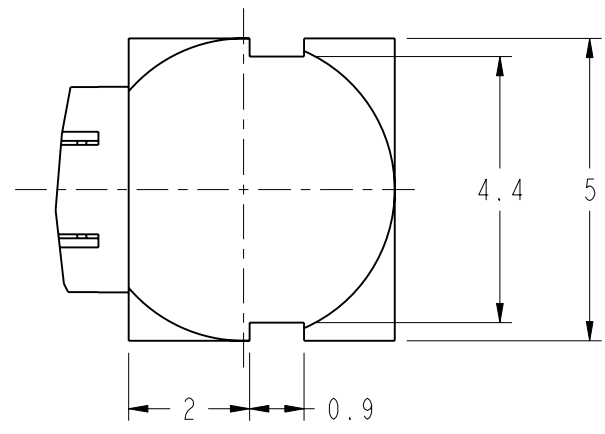
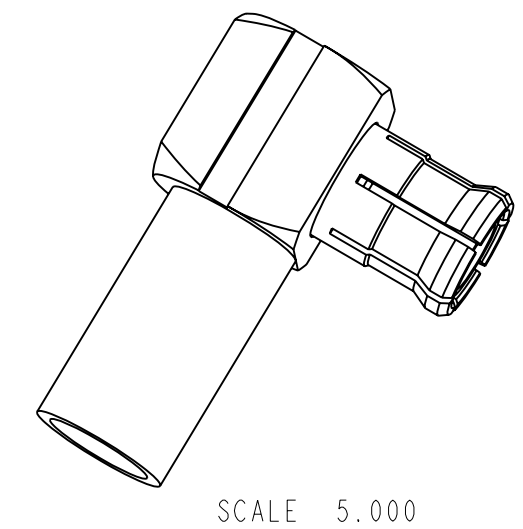
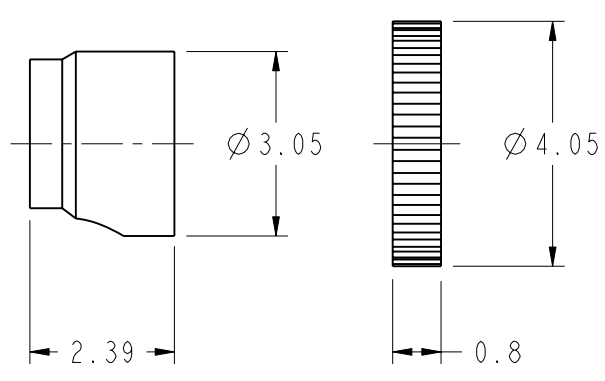
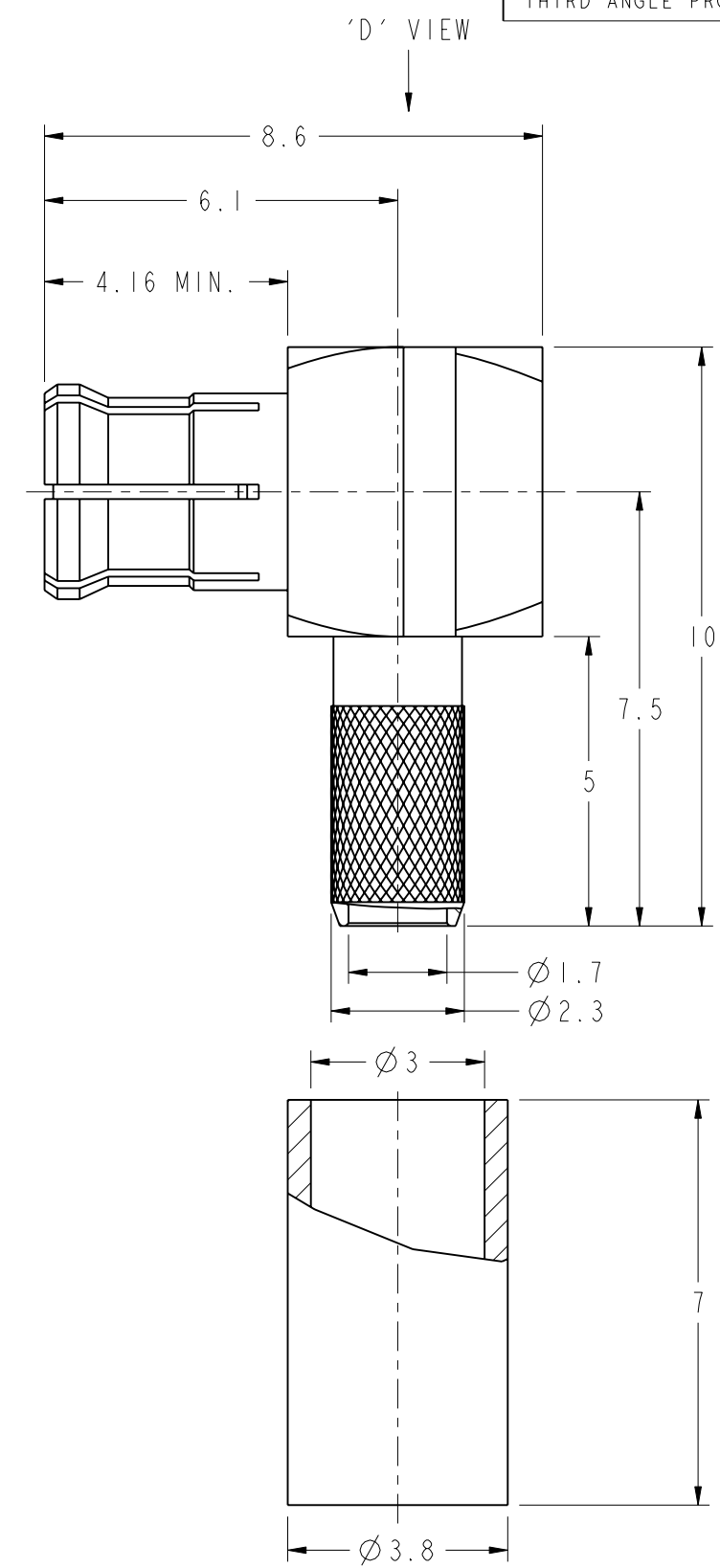
NOTES:

1. MATERIAL AND FINISH:  
 HOUSING - BRASS, GOLD PLATING  
 BODY - BERYLLIUM COPPER, GOLD PLATING  
 CONTACT PIN - BRASS, GOLD PLATING  
 COVER - BRASS, GOLD PLATING  
 FERRULE - COPPER, GOLD PLATING  
 INSULATOR - PTFE, NATURAL  
 INSULATOR - DERLIN, NATURAL
2. ELECTRICAL:  
 A. IMPEDANCE: 50 OHM  
 B. FREQUENCY RANGE: 0-6 GHz  
 C. DIELECTRIC WITHSTANDING VOLTAGE: 1000 VRMS. MIN.
3. MECHANICAL:  
 A. DURABILITY: 500 CYCLES MIN.  
 B. TEMPERATURE RANGE: -40°C TO +85°C
4. CRIMPED FERRULE  
 HEX CRIMP SIZE .128"
5. CONTACT PIN TO SOLDER

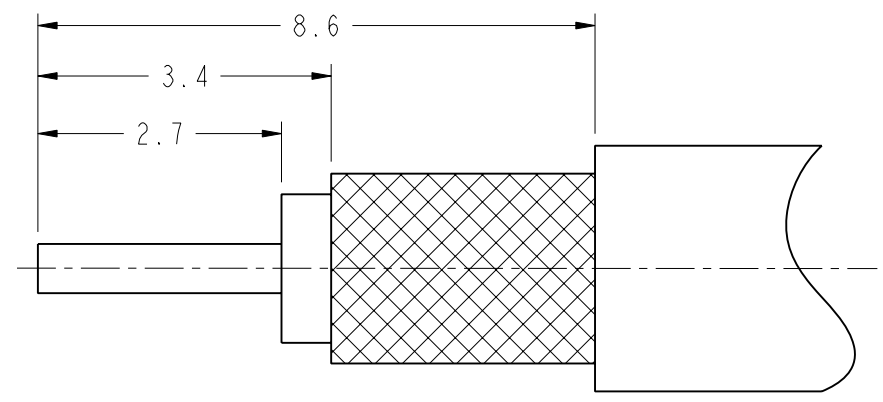
THIRD ANGLE PROJ.

REVISIONS

REV	DESCRIPTION	DATE	ECO	APPR
A	RELEASE TO MFG .	7/26/99'	43080	
B	NO.2 WAS CHANGED\ RD-DM89011401B	01-14-00'		
C	NO.1 WAS CHANGED\ RD-DM89082401Y	08-24-00'		
D	NO.3 WAS CHANGED\ RD-DM90091401H	09-24-01'		
E	NO.2 WAS CHANGED\ RD-DM91072501L	10-29-02'		
F	NO.5 WAS CHANGED\ RD-DM92061201L	06-12-03'		
G	NO.2 WAS CHANGED\ RD-DM08071801JI	07-24-08'		SCOTT
H	UPDATED DRAWING WITH GLOBAL FORMAT	09-Jan-12	48910	SCOTT



D VIEW  
SCALE 8.000



RECOMMENDED  
CABLE STRIPPING DIMENSIONS

**CUSTOMER OUTLINE DRAWING**  
ALL OTHER SHEETS ARE FOR INTERNAL USE ONLY

UNLESS OTHERWISE SPECIFIED, DIMENSIONS ARE IN METRIC AND TOLERANCES ARE: <0.5mm ±0.05mm    0.5 - 6mm ±0.1mm    6 - 30mm ±0.2mm    30 - 120mm ±0.3mm    ANGLES ±1°  NOTICE - These drawings, specifications, or other data (1) are, and remain the property of Amphenol corp. (2) must be returned upon request; and (3) are confidential and not to be disclosed to any person other than those to whom they are given by Amphenol Corp. the furnishing of these drawings, specifications, or other data by Amphenol Corp., or to any other person to anyone for any purpose is not to be regarded by implication or otherwise in any manner licensing, granting rights to permitting such holder or any other person to manufacture, use or sell any product, process or design, patented or otherwise, that may in any way be related to or disclosed by said drawings, specifications, or other data.	MATERIAL	DRAWN	DATE	TITLE MCX R/A CRIMP PLUG FOR RG-174/U, 188A/U, 316U CABLE  SCALE: 5.0:1.0 SHEET 2 OF 2  DWG SIZE B    REV H	Amphenol RF Danbury CT USA, Tainan, Taiwan, Shenzhen, China www.amphenolrf.com  DRAWING NO. MCX1112A1-3GT30G-316U-50 ITEM NO. 081112AAA36GE5F PART NO. 919-104P-51AX
	SEE NOTES	ENGINEER	DATE		
	REFERENCE	APPROVED	DATE		
	CONFIGURATION LEVEL:	FINISH			
		I:/MCX /MCX1112A1-3GT30G-316U-50			