



Chipsmall Limited consists of a professional team with an average of over 10 year of expertise in the distribution of electronic components. Based in Hongkong, we have already established firm and mutual-benefit business relationships with customers from,Europe,America and south Asia,supplying obsolete and hard-to-find components to meet their specific needs.

With the principle of “Quality Parts,Customers Priority,Honest Operation,and Considerate Service”,our business mainly focus on the distribution of electronic components. Line cards we deal with include Microchip,ALPS,ROHM,Xilinx,Pulse,ON,Everlight and Freescale. Main products comprise IC,Modules,Potentiometer,IC Socket,Relay,Connector.Our parts cover such applications as commercial,industrial, and automotives areas.

We are looking forward to setting up business relationship with you and hope to provide you with the best service and solution. Let us make a better world for our industry!



Contact us

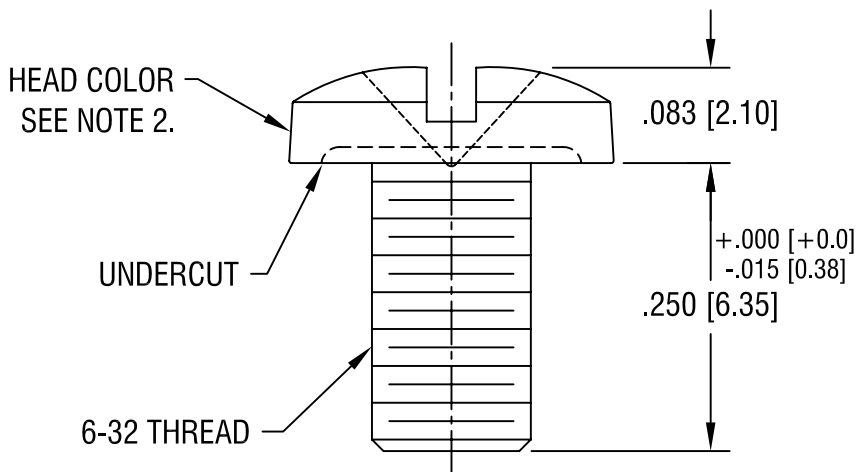
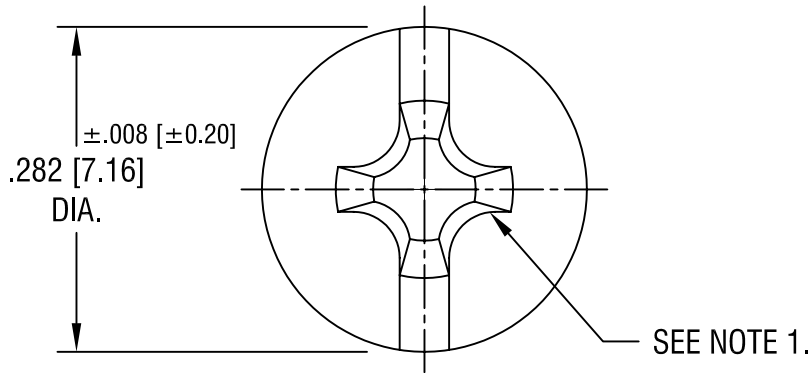
Tel: +86-755-8981 8866 Fax: +86-755-8427 6832

Email & Skype: info@chipsmall.com Web: www.chipsmall.com

Address: A1208, Overseas Decoration Building, #122 Zhenhua RD., Futian, Shenzhen, China



THIS DOCUMENT IS THE PROPERTY OF
KEYSTONE ELECTRONICS CORP. AND
SHALL NOT BE REPRODUCED, DISTRIBUTED
OR USED AS A BASIS FOR MANUFACTURE
WITHOUT PRIOR WRITTEN PERMISSION
FROM KEYSTONE ELECTRONICS CORP.



PART NO.	HEAD COLOR
9190-2	RED
9190-3	BLACK
9190-4	WHITE
9190-5	BLUE
9190-6	GREEN
9190-7	YELLOW

NOTE:

1. TO ACCEPT STANDARD SLOT OR PHILLIPS DRIVE.
2. HEAD OF SCREW IS POWDER COATED WITH COLOR AS INDICATED IN CHART.

KEYSTONE ELECTRONICS CORP.

ASTORIA, N.Y. 11105-2017

PART NAME COMBINATION BINDING HEAD SCREW			
MATERIAL BRASS			
FINISH NICKEL PLATE		DRN BY BOONE	DATE 10.8.03
		APP'D LN	SCALE 6X
TOLERANCES INCH [MM] DECIMAL ±.005 [±0.15] ANGULAR ± 1° UNLESS OTHERWISE SPECIFIED		CODE C	DWG NO. 9190-2 - 9190-7

1.3.08	CHANGE AS PER ECN 08-019	A
DATE	DESCRIPTION	REV.