



Chipsmall Limited consists of a professional team with an average of over 10 year of expertise in the distribution of electronic components. Based in Hongkong, we have already established firm and mutual-benefit business relationships with customers from,Europe,America and south Asia,supplying obsolete and hard-to-find components to meet their specific needs.

With the principle of "Quality Parts,Customers Priority,Honest Operation,and Considerate Service",our business mainly focus on the distribution of electronic components. Line cards we deal with include Microchip,ALPS,ROHM,Xilinx,Pulse,ON,Everlight and Freescale. Main products comprise IC,Modules,Potentiometer,IC Socket,Relay,Connector.Our parts cover such applications as commercial,industrial, and automotives areas.

We are looking forward to setting up business relationship with you and hope to provide you with the best service and solution. Let us make a better world for our industry!



Contact us

Tel: +86-755-8981 8866 Fax: +86-755-8427 6832

Email & Skype: info@chipsmall.com Web: www.chipsmall.com

Address: A1208, Overseas Decoration Building, #122 Zhenhua RD., Futian, Shenzhen, China



4

3

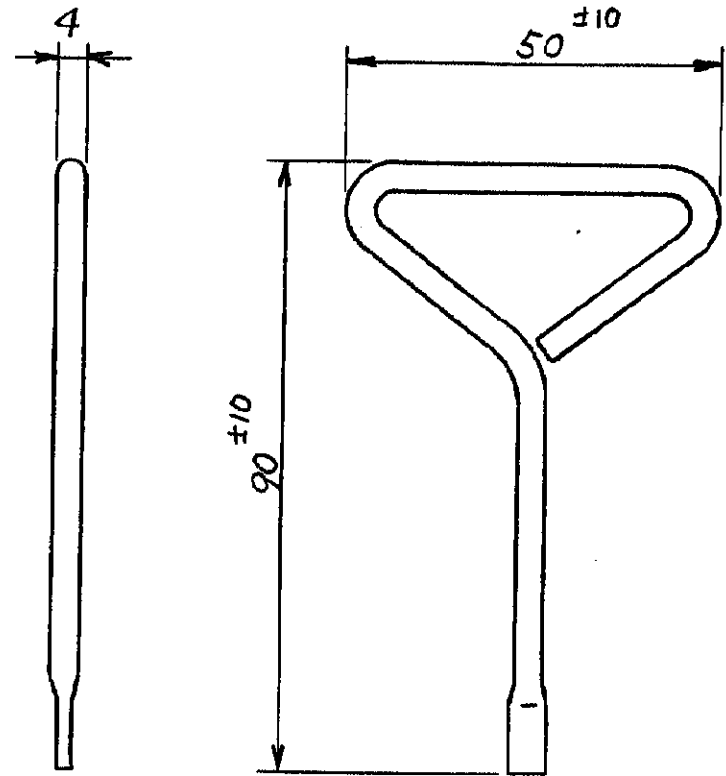
2

三角法 (THIRD ANGLE PROJECTION)



通用コネクタ - DYNAMIC コネクタ D-3000シリーズ

- 1-178293 -
- 1-178295 -
- 1-178297 -
- 178303 -
- 178305 -
- 178307 -
- 1-178313 -
- 1-178315 -
- 1-178317 -
- 178323 -
- 178325 -
- 178327 -



PRINT DIST
単位：mm DIMENSIONS IN MM. DO NOT SCALE PRINT

© 19 年 日本エー・エム・ピー株式会社		© 11 BY AMP (Japan) LTD.		AMP 日本エー・エム・ピー株式会社 TOKYO, JAPAN	
規格電線断面積(WIRE RANGE) # mm ² (AWG)		被覆外径 (INSULATION DIA.) + mm		名称 (NAME) ダイナミックコネクタ用 97° カット ツール TAB CUTTING TOOL FOR DYNAMIC CONN.	
材料 (MATERIAL) 鉄ハヤ7°φ4 x φ2		仕上 (FINISH) +		一般公差 10以下 ±0.2 10以上 30以下 ±0.25 30以上 100以下 ±0.3 100以上 ±0.5	
DR. 24 APR 92 (H. MASUDA)		DE.		SIZE B J	LOC 番号 (NO.) 919041
CHK. 24 APR 92		APP. 24 APR 92		尺規 (SCALE) +	REV. 0
LTR	変更 (REVISION RECORD)	DR.	CHK.	DATE	SHEET 10F1

AMP-J 030-2
REV. 9/83

(CUSTOMER DRAWING) 参 考 図 面