



Chipsmall Limited consists of a professional team with an average of over 10 year of expertise in the distribution of electronic components. Based in Hongkong, we have already established firm and mutual-benefit business relationships with customers from,Europe,America and south Asia,supplying obsolete and hard-to-find components to meet their specific needs.

With the principle of "Quality Parts,Customers Priority,Honest Operation,and Considerate Service",our business mainly focus on the distribution of electronic components. Line cards we deal with include Microchip,ALPS,ROHM,Xilinx,Pulse,ON,Everlight and Freescale. Main products comprise IC,Modules,Potentiometer,IC Socket,Relay,Connector.Our parts cover such applications as commercial,industrial, and automotives areas.

We are looking forward to setting up business relationship with you and hope to provide you with the best service and solution. Let us make a better world for our industry!



Contact us

Tel: +86-755-8981 8866 Fax: +86-755-8427 6832

Email & Skype: info@chipsmall.com Web: www.chipsmall.com

Address: A1208, Overseas Decoration Building, #122 Zhenhua RD., Futian, Shenzhen, China



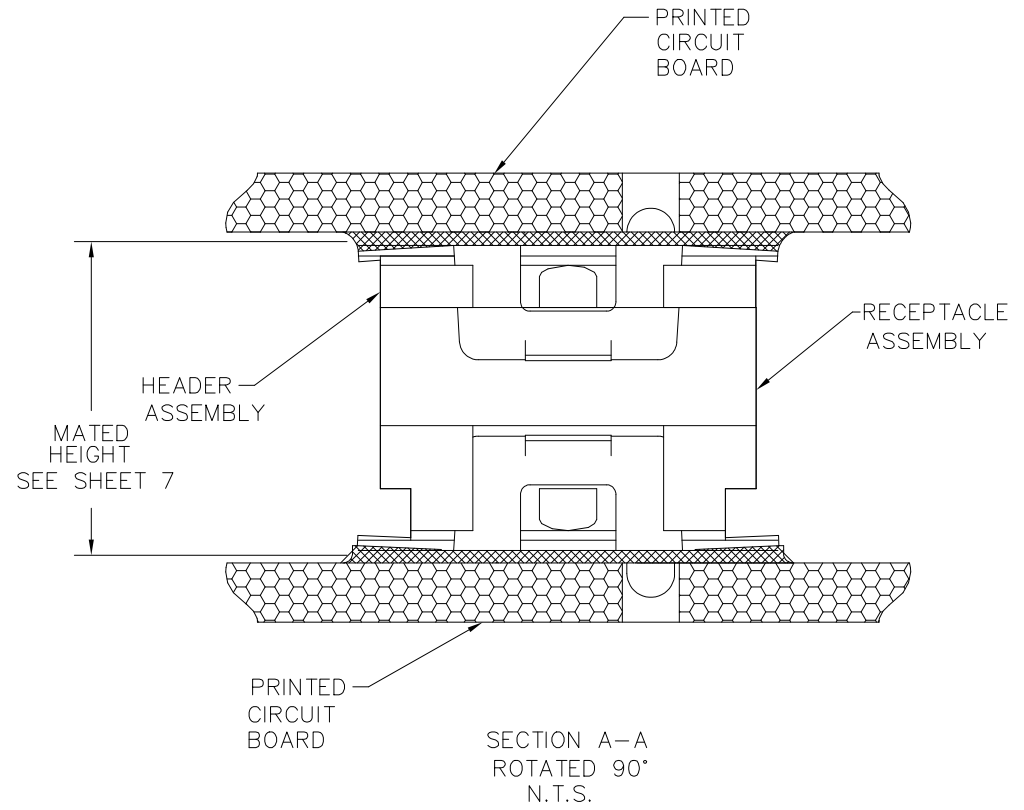
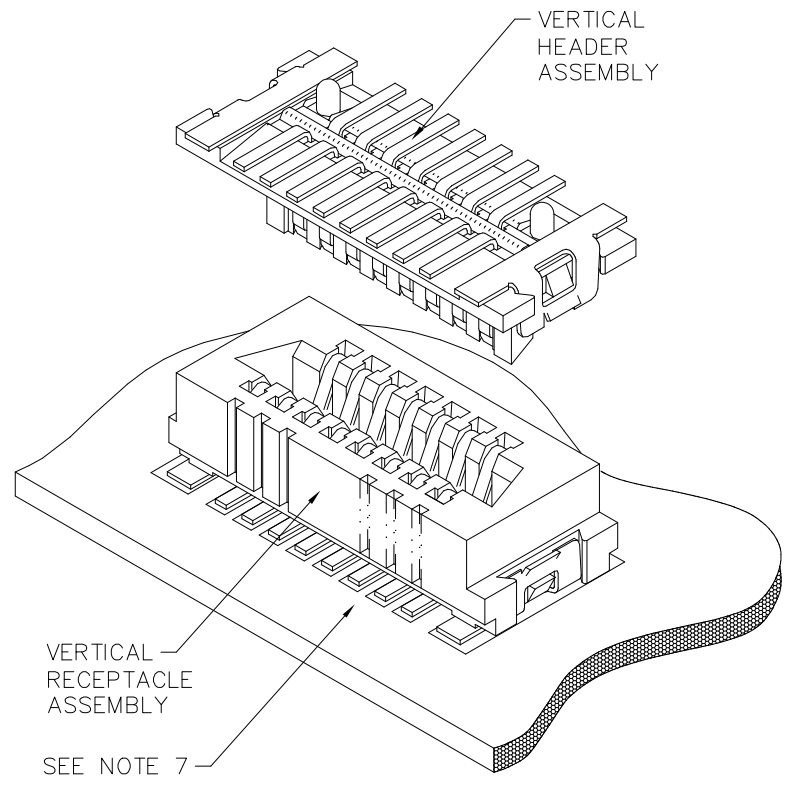
Amphenol
FCI

© 2016 AFCI

©

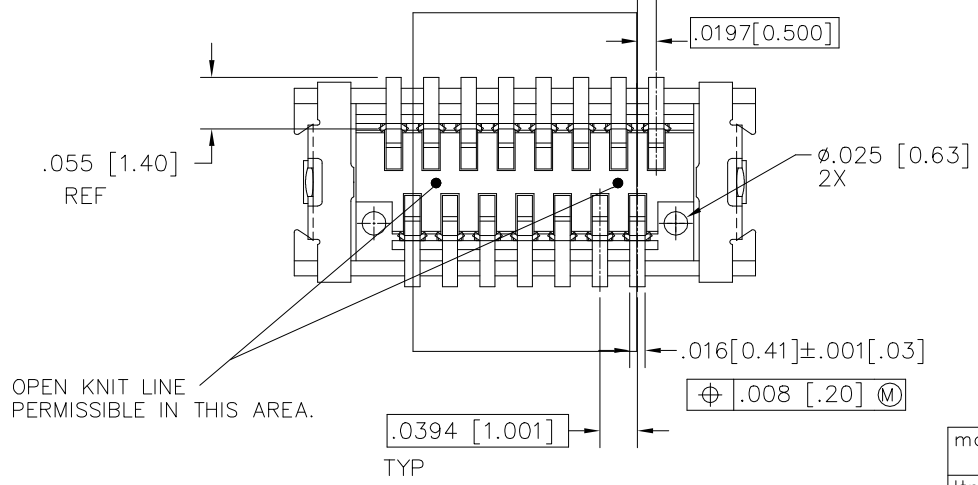
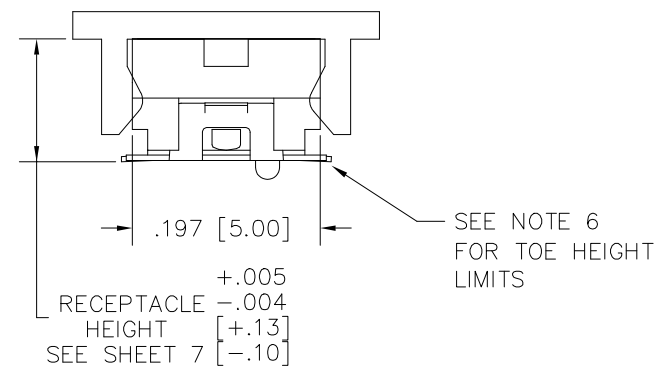
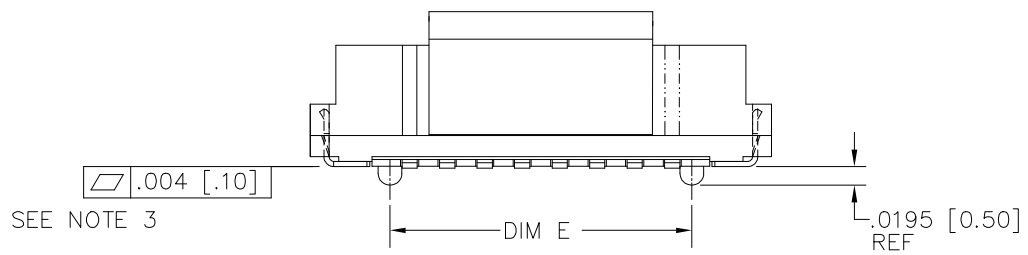
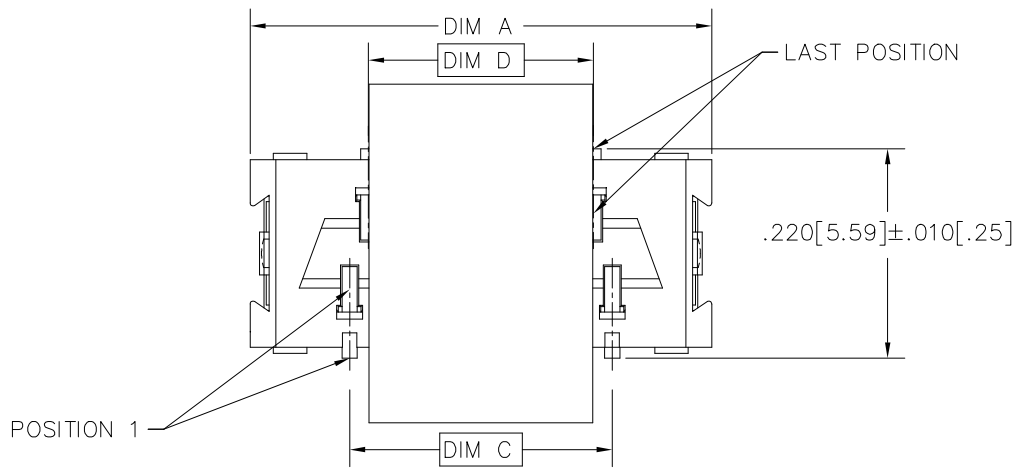
©

D



| | | | | | | | | | |
|-------------|-------------|--------------------|----------|---------------------------------------|------------|------------|----|---------------------------|--|
| mat'l. code | | surface ISO 1302 ✓ | | tolerance ISO 406 ISO 1101 | | projection | | product family CONAN® | |
| ltr | ecn no | dr | date | tolerances unless otherwise specified | | INCH/MM | | title | |
| AG | ELX-N-14208 | GM | 03/07/13 | angles | | linear | | CONAN® CONNECTOR ASSEMBLY | |
| AH | ELX-N-22454 | EH | 10/11/15 | 0°±x' | | .00±.20 | | dwg no | |
| AJ | - | EH | 12/12/15 | .000±.10 | | scale 1:1 | | sheet 1 of 7 | |
| AK | ELX-N-26578 | TONY | 04/07/17 | dr | Eric Huang | 10/11/15 | | size | |
| AL | ELX-N-26810 | TONY | 04/26/17 | engr | Eric Huang | 10/11/15 | | A3 | |
| AF | M08-0287 | MHT | 10/02/08 | appd | Tim Yao | 10/11/15 | | type | |
| sheet | revision | AL | AL | AL | AL | AL | AL | Product Customer Drawing | |
| index | sheet | 1 | 2 | 3 | 4 | 5 | 6 | 7 | |

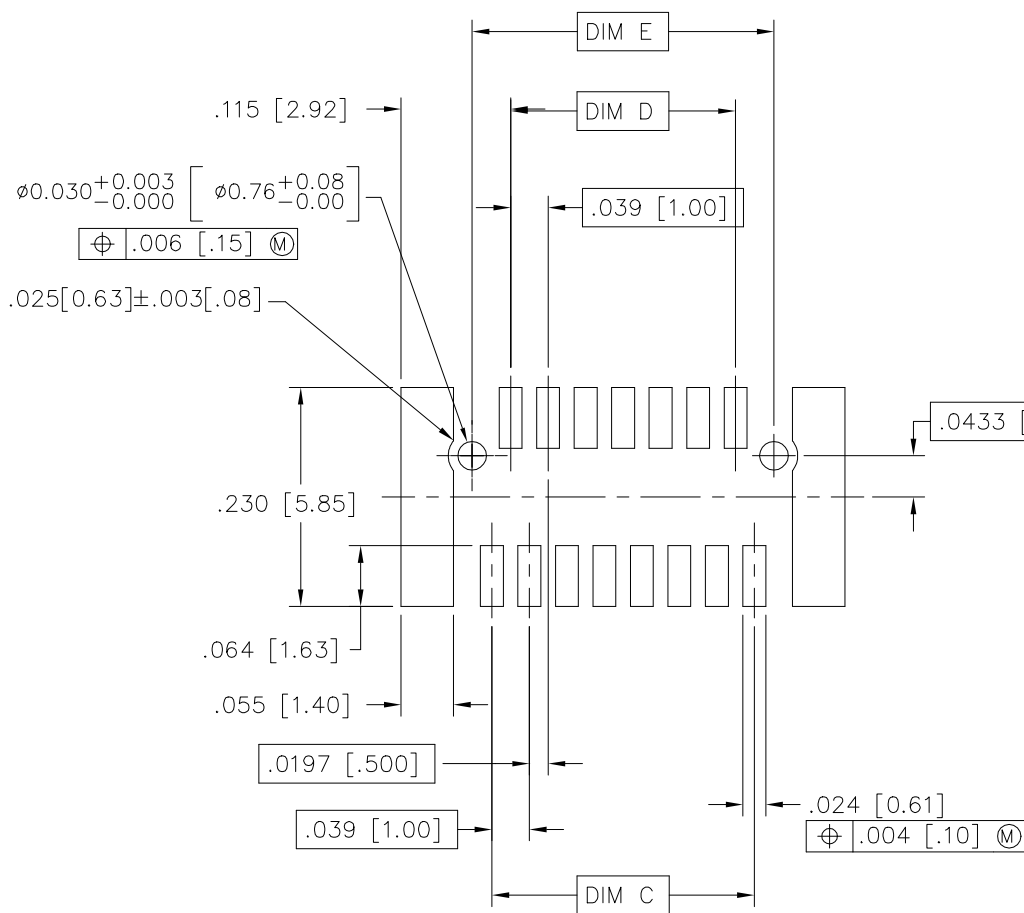
PRODUCT NUMBER
SEE TABLE



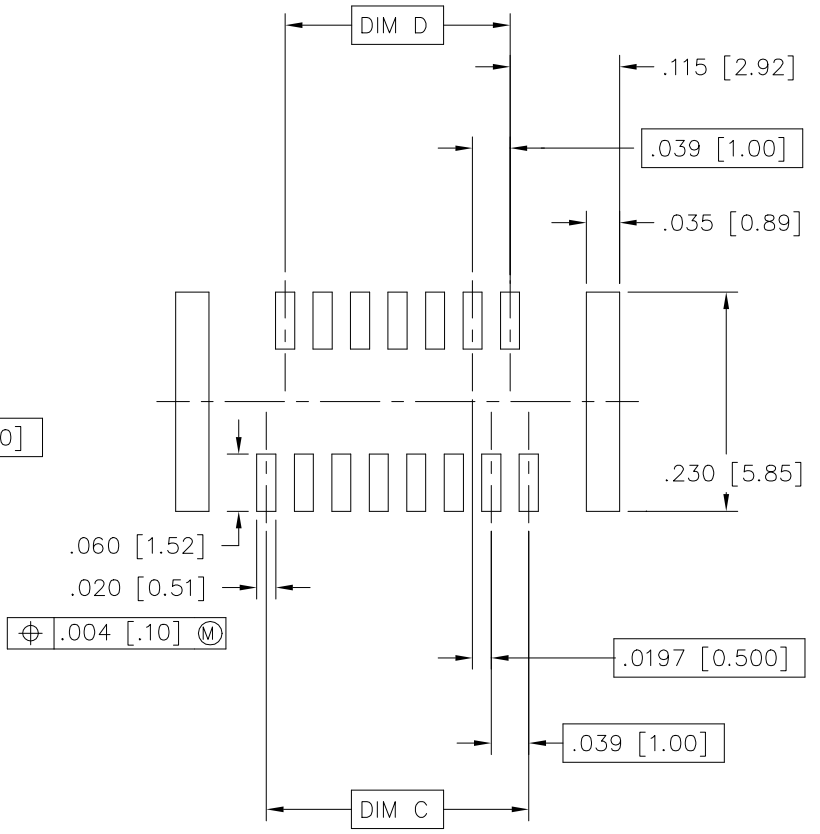
| | | | | | |
|-------------|----------------|------------|------------------|---------------------------------------|-------------------------------|
| mat'l. code | | surface | tolerance | projection | product family |
| | | ISO 1302 ✓ | ISO 406 ISO 1101 | | CONAN® |
| ltr | ecn no | dr | date | tolerances unless otherwise specified | title |
| AL | | | | .0±.30 linear .00±.20 0'±x' | CONAN® CONNECTOR ASSEMBLY |
| | | | | scale 1:1 | dwg no |
| | | | | dr Eric Huang 10/11/15 | sheet 2 of 7 |
| | | | | eng Eric Huang 10/11/15 | size A3 |
| | | | | chr | 91900 |
| | | | | appd Tim Yao 10/11/15 | type Product Customer Drawing |
| sheet index | revision sheet | | | | |

Amphenol FCI
 © 2016 AFCI

PRODUCT NUMBER
SEE TABLE



RECOMMENDED
PAD LAYOUT



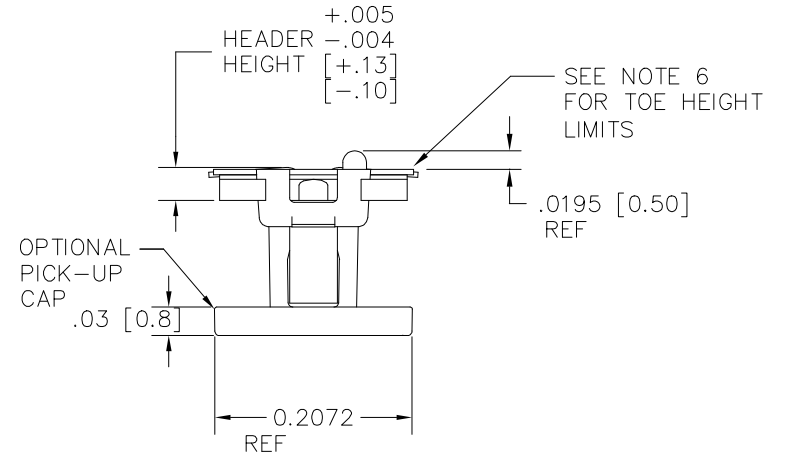
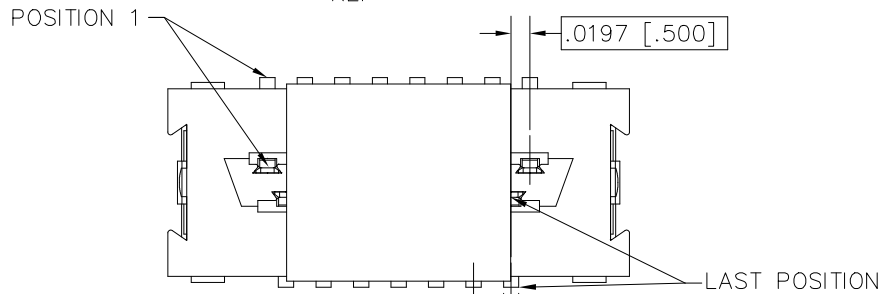
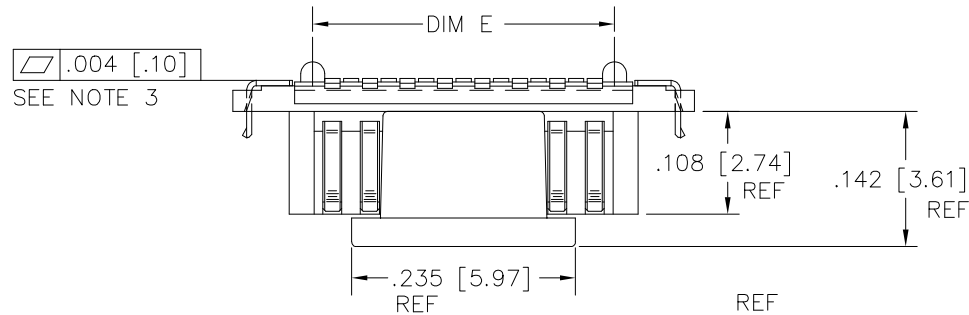
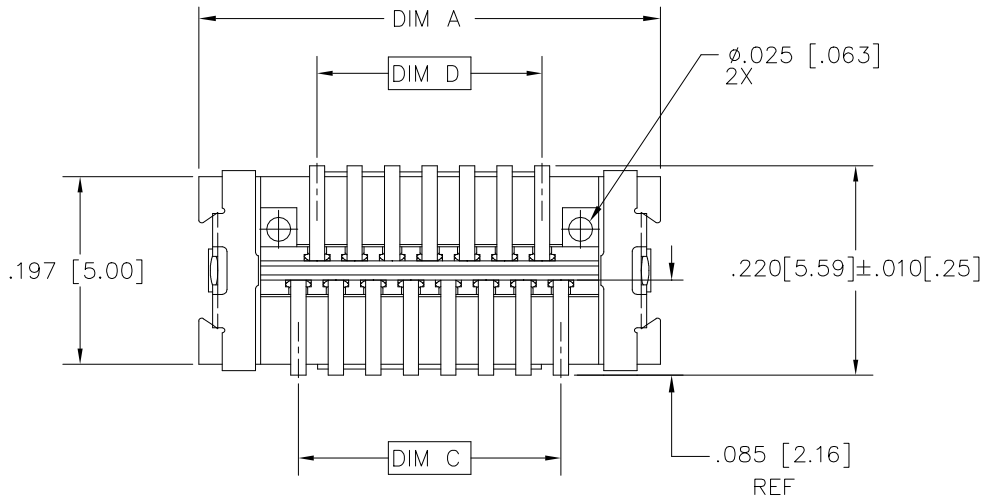
RECOMMENDED
STENCIL LAYOUT
FOR RECEPTACLE



© 2016 AFCI

| | | | | | | | | | |
|-------------|----------------|-----------------------|------------|---------------------------------------|----------|--------------------|--|------------------------------------|--|
| mat'l. code | | surface ISO 1302 ✓ | | tolerance ISO 406 ISO 1101 | | projection 1101 | | product family CONAN® | |
| ltr | ecn no | dr | date | tolerances unless otherwise specified | | INCH/MM | | title CONAN® CONNECTOR ASSEMBLY | |
| AL | | | | angles | .0±.30 | scale 1:1 | | dwg no 91900 | |
| | | | | linear | .00±.20 | Amphenol FCI | | sheet 3 of 7 size A3 | |
| | | | | 0'±x' | .000±.10 | | | type Product Customer Drawing | |
| | | dr | Eric Huang | 10/11/15 | | | | | |
| | | eng | Eric Huang | 10/11/15 | | | | | |
| | | chr | | | | | | | |
| | | appd | Tim Yao | 10/11/15 | | | | | |
| sheet index | revision sheet | | | | | | | | |

PRODUCT NUMBER
SEE TABLE

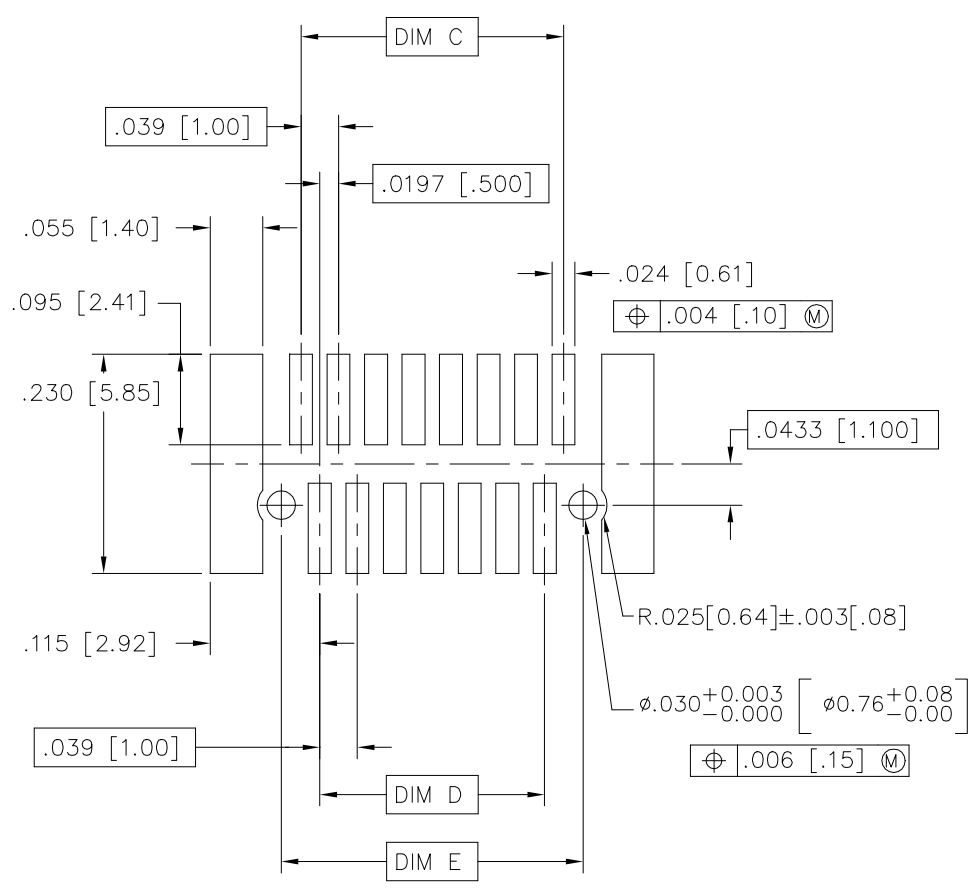


| | | | | | |
|-------------|----------------|------------|------------------|---------------------------------------|---------------------------|
| mat'l. code | | surface | tolerance | projection | product family |
| | | ISO 1302 ✓ | ISO 406 ISO 1101 | | CONAN® |
| ltr | ecn no | dr | date | tolerances unless otherwise specified | title |
| AL | | | | .0±.30 .00±.20 .000±.10 | CONAN® CONNECTOR ASSEMBLY |
| | | angles | linear | INCH/MM | dwg no |
| | | 0°±x' | | scale 1:1 | sheet 4 of 7 |
| | | dr | Eric Huang | 10/11/15 | size |
| | | eng | Eric Huang | 10/11/15 | A3 |
| | | chr | | | |
| | | appd | Tim Yao | 10/11/15 | type |
| | | | | | Product Customer Drawing |
| sheet index | revision sheet | | | | |

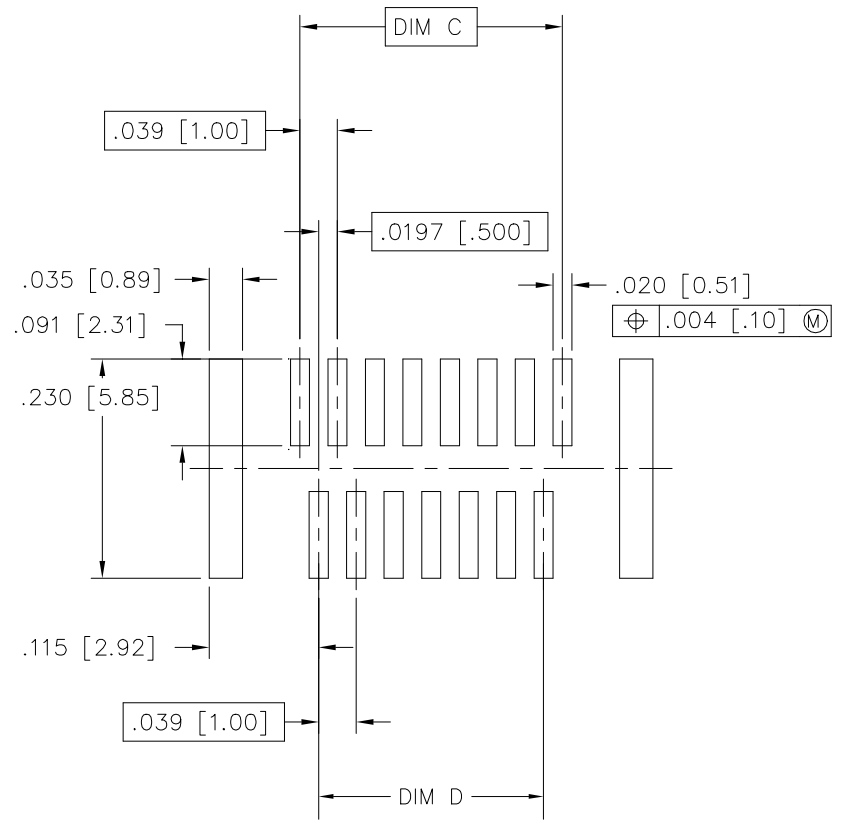
Amphenol FCI

© 2016 AFCI

PRODUCT NUMBER
SEE TABLE



RECOMMENDED
PAD LAYOUT



RECOMMENDED
STENCIL LAYOUT
FOR HEADER

Amphenol
FCI

© 2016 AFCI

| | | | | | | | | | |
|-------------|----------------|-----------------------|------------|---------------------------------------|-------------------------------|-------------------|--|---------------------------|--|
| mat'l. code | | surface ISO 1302 ✓ | | tolerance ISO 406 ISO 1101 | | projection 1:1 | | product family CONAN® | |
| ltr | ecn no | dr | date | tolerances unless otherwise specified | | title | | CONAN® CONNECTOR ASSEMBLY | |
| AL | | | | angles | linear | INCH/MM | | sheet 5 of 7 | |
| | | | | 0'±x' | | scale 1:1 | | size A3 | |
| | | dr | Eric Huang | 10/11/15 | | Amphenol FCI | | dwg no 91900 | |
| | | eng | Eric Huang | 10/11/15 | type Product Customer Drawing | | | | |
| | | chr | | | | | | | |
| | | appd | Tim Yao | 10/11/15 | | | | | |
| sheet index | revision sheet | | | | | | | | |

| PRODUCT NUMBER | POS | DIM "A" | DIM "C" | DIM "D" | DIM "E" |
|----------------|-----|---------------|---------------|---------------|-----------------|
| 919TC-WXY09 | 9 | .366 [9.30] | .157 [4.00] | .118 [3.00] | .1990 [5.055] |
| -WXY09LF | | | | | |
| -WXY11 | 11 | .406 [10.30] | .197 [5.00] | .157 [4.00] | .2380 [6.045] |
| -WXY11LF | | | | | |
| -WXY15 | 15 | .484 [12.30] | .276 [7.00] | .236 [6.00] | .3170 [8.052] |
| -WXY15LF | | | | | |
| -WXY21 | 21 | .602 [15.30] | .394 [10.00] | .354 [9.00] | .4350 [11.049] |
| -WXY21LF | | | | | |
| -WXY25 | 25 | .681 [17.30] | .472 [12.00] | .433 [11.00] | .5140 [13.056] |
| -WXY25LF | | | | | |
| -WXY31 | 31 | .800 [20.30] | .591 [15.00] | .551 [14.00] | .6320 [16.053] |
| -WXY31LF | | | | | |
| -WXY41 | 41 | .996 [25.30] | .787 [20.00] | .748 [19.00] | .8290 [21.057] |
| -WXY41LF | | | | | |
| -WXY51 | 51 | 1.193 [30.30] | .984 [25.00] | .945 [24.00] | 1.0260 [26.060] |
| -WXY51LF | | | | | |
| -WXY69 | 69 | 1.547 [39.30] | 1.339 [34.00] | 1.299 [33.00] | 1.3800 [35.052] |
| -WXY69LF | | | | | |

NOTES:

1. MATERIALS:

RECEPTACLE HOUSING - LCP, UL-94V-0. COLOR: NATURAL.

RECEPTACLE TERMINALS - COPPER ALLOY, PLATED WITH 15u"/.38u GXT™ IN CONTACT AREA AND 100u"/2.54u Sn ON SOLDER LEGS WITH AN OVERALL 50u"/1.27u Ni UNDERPLATE.

HEADER HOUSING - LCP, UL-94V-0. COLOR: NATURAL.

HEADER TERMINALS - COPPER ALLOY, PLATED WITH 15u"/.38u GXT™ IN CONTACT AREA AND 100u"/2.54u Sn ON SOLDER LEGS WITH AN OVERALL 50u"/1.27u Ni UNDERPLATE.

RETENTION DEVICE - BRASS, PLATED WITH 100u"/2.54u Sn OVER NICKEL.

2. REFERENCE GS-12-006 FOR PRODUCT PERFORMANCE DATA.

3. SEE TA-774 FOR FURTHER DESCRIPTION OF HOW THIS DIMENSION IS APPLIED.

4. PICK AND PLACE CAP OR TAPE IS ONLY AVAILABLE WITH OPTION 3 PACKAGING. (PSA ADHESIVE SEALED). ALSO, PSA PACKAGING REQUIRES A PICK AND PLACE CAP.

5. RECOMMENDED SOLDER PASTE THICKNESS IS .006 TO .008 INCHES THICK.

6. THE TOE HEIGHT OF THE SOLDER TAIL SHALL BE MEASURED FROM THE LOWEST POINT OF THE .004 CO-PLANARITY GRAVITY PLANE. THIS MEASUREMENT IS NOT TO EXCEED A WINDOW OF .000 TO .007 INCHES.

7. THREE SLOTS MAY BE LOCATED AT EITHER END OF HOUSING.

8. 5.50mm MATED HEIGHT IS ONLY AVAILABLE IN 9, 15 AND 31 POS.

9. 7.50mm MATED HEIGHT IS ONLY AVAILABLE IN 9 POS.

10. APPLIES TO 91921-3XYZZ AND 91931- 3XYZZ OPTIONS ONLY.

11. THE HOUSING WILL WITHSTAND EXPOSURE TO 260°C PEAK TEMPERATURE FOR 30 SECONDS IN A CONVECTION INFRA RED OR VAPOR PHASE REFLOW OVEN. SEE APPLICATION/PROCEDURES IF THEY ARE AVAILABLE

13. PRODUCT WITH "LF" AT THE END MEETS EUROPEAN UNION DIRECTIVES AND OTHER COUNTRY REGULATION AS DESCRIBED IN GS-22-008.

Amphenol FCI

© 2016 AFCI

| | | | | | |
|-------------|----------------|------------|------------------|---------------------------------------|-------------------------------|
| mat'l. code | | surface | tolerance | projection | product family |
| | | ISO 1302 ✓ | ISO 406 ISO 1101 | | CONAN® |
| ltr | ecn no | dr | date | tolerances unless otherwise specified | title |
| AL | | | | angles linear | CONAN® CONNECTOR ASSEMBLY |
| | | | | 0°±x' | INCH/MM |
| | | | | .0±.30 | scale 1:1 |
| | | | | .00±.20 | |
| | | | | .000±.10 | |
| | | dr | Eric Huang | 10/11/15 | dwg no |
| | | engr | Eric Huang | 10/11/15 | sheet 6 of 7 |
| | | chr | | | size |
| | | appd | Tim Yao | 10/11/15 | 91900 |
| | | | | | A3 |
| | | | | | type Product Customer Drawing |
| sheet index | revision sheet | | | | |

CONAN[®] ASSEMBLY PART NUMBER

919 T C - W X Y ZZ LF

LEAD FREE OPTION
SEE NOTE 12

| TYPE | T |
|-------------------------|---|
| HEADER WITH NO PEGS | 0 |
| HEADER WITH PEGS | 1 |
| RECEPTACLE WITH NO PEGS | 2 |
| RECEPTACLE WITH PEGS | 3 |

| PICK AND PLACE CAP OR TAPE (NOTE 4) | C |
|-------------------------------------|---|
| WITHOUT CAP OR TAPE | 0 |
| WITH CAP | 1 |
| WITH TAPE (RECEPTACLE ONLY) | 2 |

| PACKAGING | W |
|-----------------------------|---|
| TUBE | 2 |
| PRESSURE SEALED TAPE & REEL | 3 |

NOTE 4

| Y | HEADER HEIGHT | RECEPTACLE HEIGHT | MATED HEIGHT |
|------|---------------|-----------------------------|--------------|
| 1 | .034 [.86] | .129 [3.28] | .163 [4.15] |
| 2 | .048 [1.23] | SEE Y=1 FOR ALL RECEPTACLES | .177 [4.50] |
| 3 | .068 [1.73] | | .197 [5.00] |
| 4 | .107 [2.72] | | .236 [6.00] |
| 5 | .1465 [3.721] | | .276 [7.00] |
| * 6 | .088 [2.23] | | .216 [5.50] |
| ** 7 | .1665 [4.229] | | .296 [7.52] |

*
**

* NOTE 8
** NOTE 9

| X | PLATING |
|---|----------------------------|
| 1 | 15u"/.38u GXT [™] |
| 2 | 30u"/.76u GXT [™] |

| ZZ | NUMBER OF POSITIONS |
|----|---------------------|
| 09 | 9 |
| 11 | 11 |
| 15 | 15 |
| 21 | 21 |
| 25 | 25 |
| 31 | 31 |
| 41 | 41 |
| 51 | 51 |
| 69 | 69 |

EXAMPLE: 91921-31125LF
 IS A CONAN[®] RECEPTACLE ASSEMBLY,
 HAVING NO PEGS AND WITH A PICK AND PLACE CAP.
 IT ALSO HAS GXT[™] PLATING, IS .13 [3.2] HIGH AND 25
 POSITIONS AND IS PACKAGED IN PRESSURE SEALED TAPE,
 REEL AND LEAD FREE.



© 2016 AFCI

| | | | | | |
|-------------|----------------|--------------------|----------------------------|---------------------------------------|---------------------------------------|
| mat'l. code | | surface ISO 1302 ✓ | tolerance ISO 406 ISO 1101 | projection | product family CONAN [®] |
| ltr | ecn no | dr | date | tolerances unless otherwise specified | title |
| AL | | | | angles linear | CONAN [®] CONNECTOR ASSEMBLY |
| | | | | 0°±x' | INCH/MM |
| | | | | dr Eric Huang 10/11/15 | scale 1:1 |
| | | | | engr Eric Huang 10/11/15 | Amphenol FCI |
| | | | | chr | dwg no sheet 7 of 7 size |
| | | | | appd Tim Yao 10/11/15 | 91900 A3 |
| sheet index | revision sheet | | | | type Product Customer Drawing |