



Chipsmall Limited consists of a professional team with an average of over 10 year of expertise in the distribution of electronic components. Based in Hongkong, we have already established firm and mutual-benefit business relationships with customers from,Europe,America and south Asia,supplying obsolete and hard-to-find components to meet their specific needs.

With the principle of “Quality Parts,Customers Priority,Honest Operation,and Considerate Service”,our business mainly focus on the distribution of electronic components. Line cards we deal with include Microchip,ALPS,ROHM,Xilinx,Pulse,ON,Everlight and Freescale. Main products comprise IC,Modules,Potentiometer,IC Socket,Relay,Connector.Our parts cover such applications as commercial,industrial, and automotives areas.

We are looking forward to setting up business relationship with you and hope to provide you with the best service and solution. Let us make a better world for our industry!



Contact us

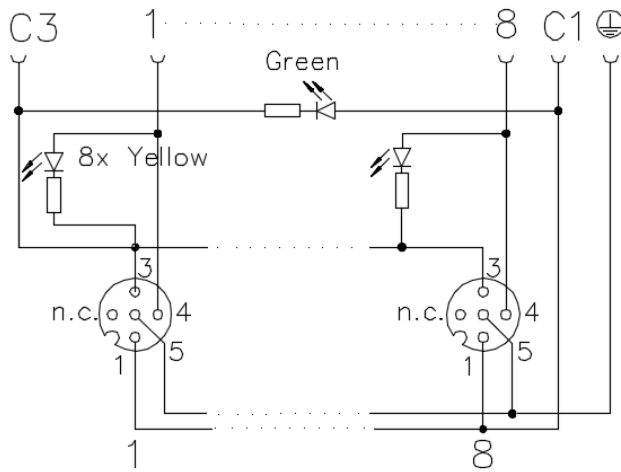
Tel: +86-755-8981 8866 Fax: +86-755-8427 6832

Email & Skype: info@chipsmall.com Web: www.chipsmall.com

Address: A1208, Overseas Decoration Building, #122 Zhenhua RD., Futian, Shenzhen, China

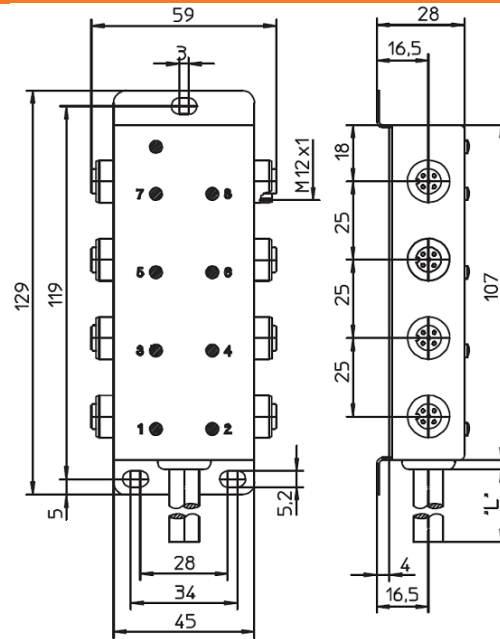


Dimensions



COLOR CODE

1 = Brown	(C1)	4 = White	(1) Slate	(4) Black	(7)
2 = n.c.		Green	(2) Pink	(5) Violet	(8)
3 = Blue	(C3)	Yellow	(3) Red	(6)	5 = Green/Yellow (Gnd)



Technical Data

Box Configuration

Ports	8
Channels per Port	1
LED	Yes
Code Type	A
Housing	Stainless Steel
Housing Back Cover	PVC
Insert	PVC
Contact	Copper Alloy, Gold Plated
Receptacle Shell	Stainless Steel
O-Ring	EPDM

Electrical

Contact Resistance	≤5mΩ
Voltage Rating	10-30V DC
Current Rating	4A per port/12A max. Total
Insulation Resistance	>10 ⁹ Ω
UL File	E485582

Cable Construction

Conductor Size	3 x 0.75mm ² & 8 x 0.34mm ²
Outer Jacket Material	PVC
Outer Diameter	.374"
Color	Black
Suitable for C-Track	Yes

Issue: 1 Issue Date: 8/20/2016 Effective Date: 8/20/2016

Environmental		
Degree of Protection	IP 67/ IP 69 K	
Operating Temperature Range	-25C (-13F)/ +70C (+158F)	
RoHS	All materials used in the manufacture of this part meet the requirements of European Directive 2011/65/EU regarding the restriction of use of certain hazardous substances in electrical and electronic equipment. Exemption used; 6a.	
REACH Regulation (EC 1907/2006)	This product does not contain Substances of Very High Concern (SVHC) listed on the European Union’s REACH candidate list in excess of 0.1% mass of the item.	
Accessories Included		
4 Dust Covers for unused sockets		
Ordering Information	Description	Quantity
920-10M NC032	10 Meters	Each
920-20M NC032	20 Meters	Each

Issue: 1 Issue Date: 8/20/2016 Effective Date: 8/20/2016

Although Alpha Wire (“Alpha”) makes every reasonable effort to ensure their accuracy at the time of this publication, information and specifications described herein are subject to error or omission and to change without notice, and the listing of such information and specifications does not ensure product availability. Alpha provides the information and specification herein on an “AS IS” basis, with no representations or warranties, whether express, statutory or implied. In no event will Alpha be liable any damages (including consequential, indirect, incidental, special, punitive, or exemplary damages) whatsoever, even if Alpha has been advised of the possibility of such damages, whether in an action under contract, negligence or any other theory, arising out of or in connection with the use, or inability to use, the information or specification described herein.