



Chipsmall Limited consists of a professional team with an average of over 10 year of expertise in the distribution of electronic components. Based in Hongkong, we have already established firm and mutual-benefit business relationships with customers from,Europe,America and south Asia,supplying obsolete and hard-to-find components to meet their specific needs.

With the principle of “Quality Parts,Customers Priority,Honest Operation,and Considerate Service”,our business mainly focus on the distribution of electronic components. Line cards we deal with include Microchip,ALPS,ROHM,Xilinx,Pulse,ON,Everlight and Freescale. Main products comprise IC,Modules,Potentiometer,IC Socket,Relay,Connector.Our parts cover such applications as commercial,industrial, and automotives areas.

We are looking forward to setting up business relationship with you and hope to provide you with the best service and solution. Let us make a better world for our industry!



Contact us

Tel: +86-755-8981 8866 Fax: +86-755-8427 6832

Email & Skype: info@chipsmall.com Web: www.chipsmall.com

Address: A1208, Overseas Decoration Building, #122 Zhenhua RD., Futian, Shenzhen, China



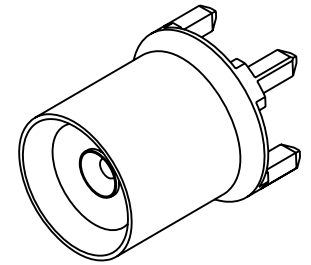
NOTES:

1. MATERIALS AND FINISHES:
 BODY: BRASS, GOLD PLATING
 CONTACT: BERYLLIUM COPPER, GOLD PLATING.
 INSULATOR: PTFE
2. PHYSICAL:
 A. OPERATING TEMPERATURE: -65°C to +165°C
 B. DURABILITY: 100 MATING CYCLES MINIMUM
 C. INTERFACE: PROPRIETARY AFI INTERFACE
3. ELECTRICAL:
 A. IMPEDANCE: 50 OHMS, NOMINAL
 B. FREQUENCY RANGE: 0 TO 6 GHz
 C. VSWR: 1.10 + 0.06 x F (GHz) MAX, FROM 0 TO 3 GHz
 0.56 + 0.24 x F (GHz) MAX, FROM 3 TO 6 GHz
 D. SEE 349-50861 FOR RECOMMENDED LAUNCH
4. PACKAGING:
 A. SINGLE PACK IN BAG.
 B. MARK BAG OR TAG: AMPHENOL RF
 920-265J-51P
 DATE CODE (YYWW)
5. ADD DIM "B" FROM PLUG AND DIM "A" FROM JACK OF TWO MATING CONNECTORS TO FIND THE NOMINAL BOARD-TO-BOARD SPACING.
 AXIAL FLOAT IS ±0.50 [0.020"]
 RADIAL FLOAT IS ±0.38 [0.015"]

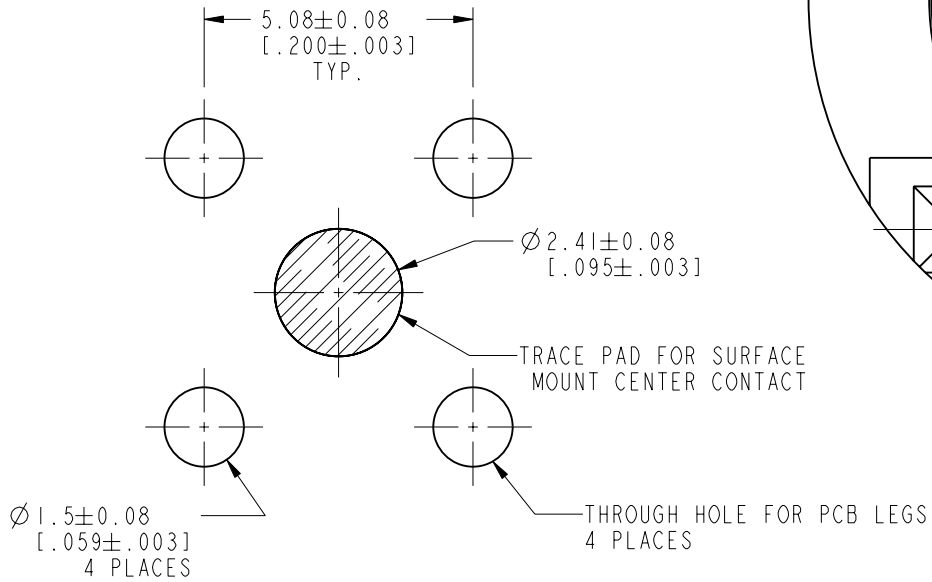
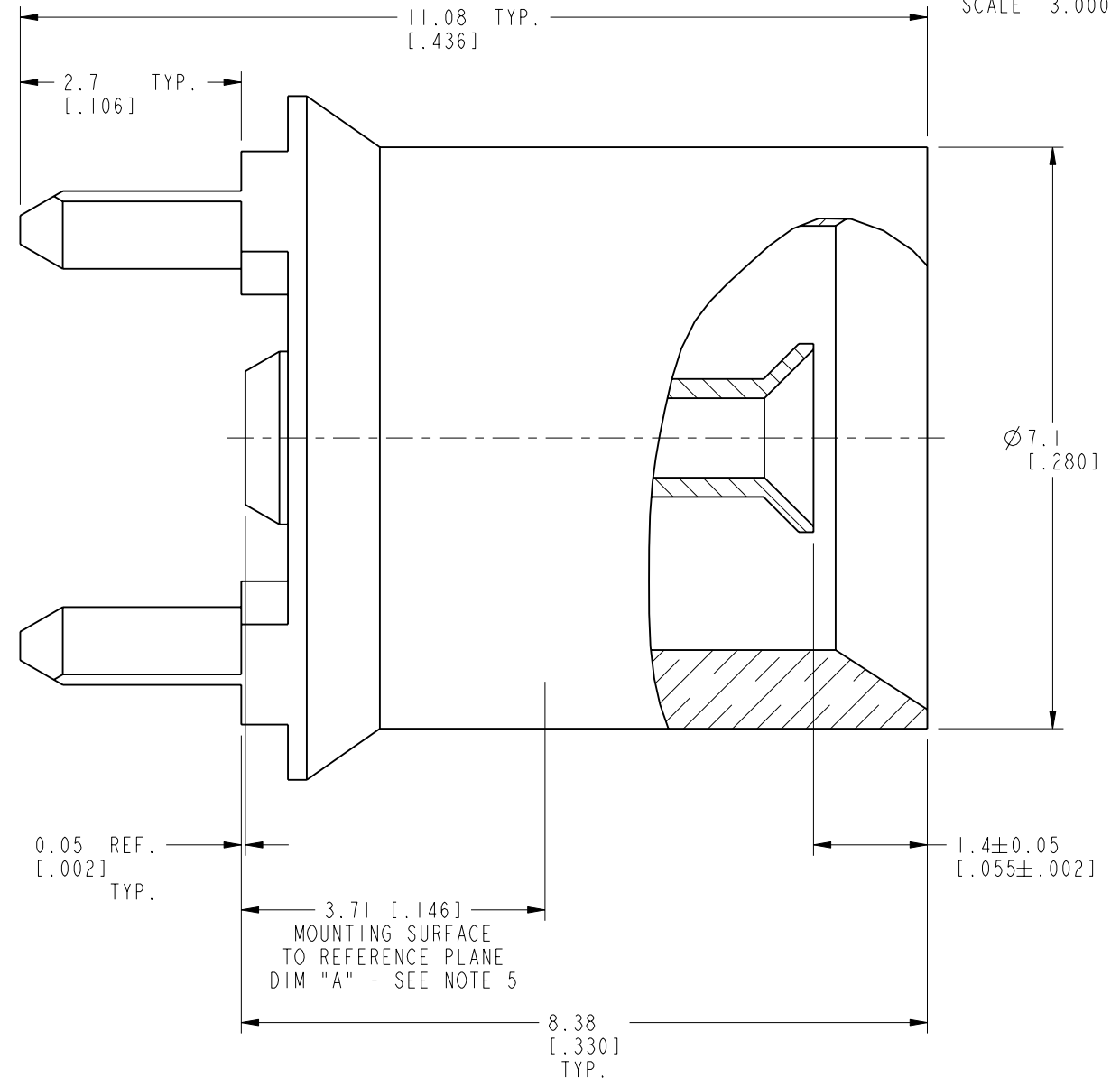
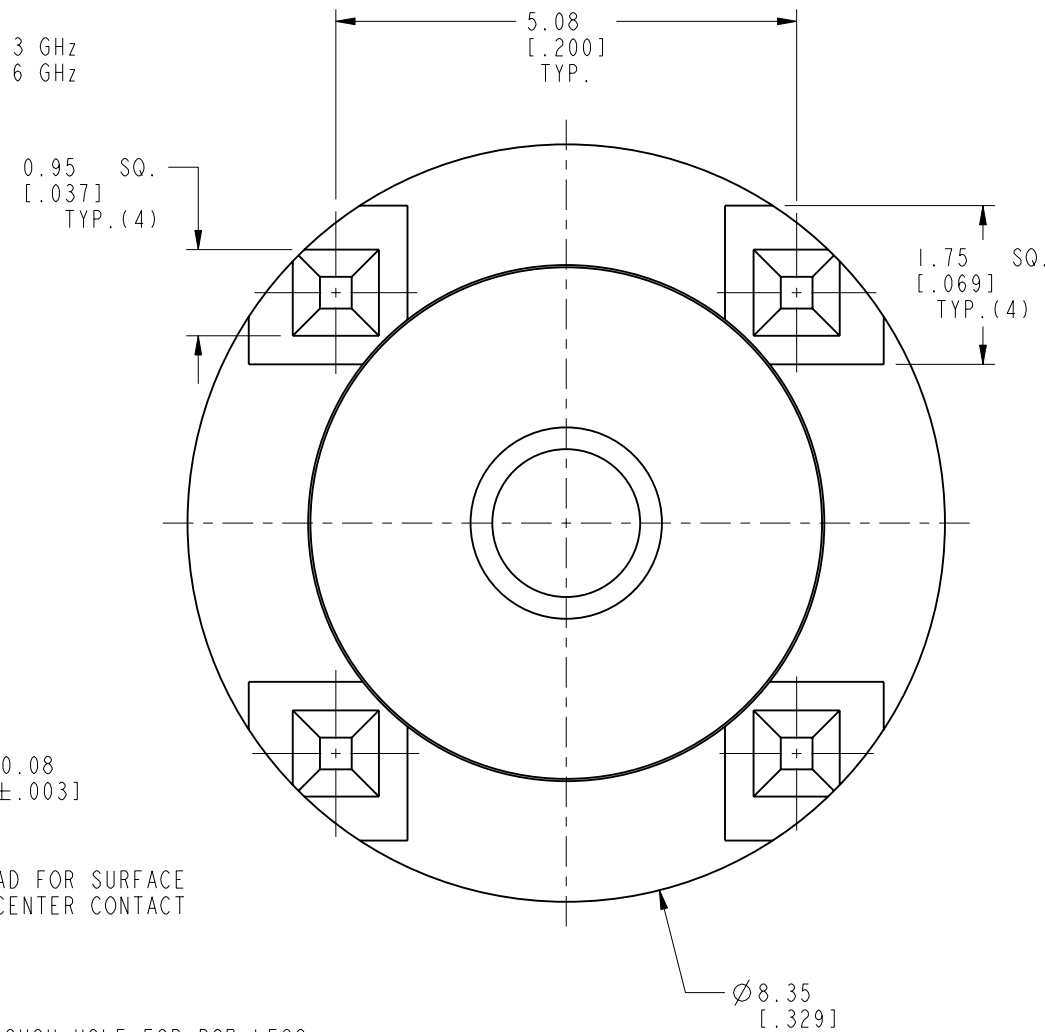
THIRD ANGLE PROJ.

REVISIONS

| REV | DESCRIPTION | DATE | ECO | APPR |
|-----|-----------------|-----------|-------|------|
| A | RELEASE TO MFG. | 07-Aug-13 | 49535 | TD |



SCALE 3.000



SUGGESTED
PCB FOOTPRINT

CUSTOMER OUTLINE DRAWING
ALL OTHER SHEETS ARE FOR INTERNAL USE ONLY

| | | | | | |
|---|----------------------|----------------|-----------|--------------------------------|---|
| UNLESS OTHERWISE SPECIFIED, DIMENSIONS ARE IN METRIC AND TOLERANCES ARE: <0.5mm ±0.05mm 0.5 - 6mm ±0.1mm 6 - 30mm ±0.2mm 30 - 120mm ±0.3mm ANGLES ±1° | MATERIAL | DRAWN | DATE | TITLE | Amphenol RF www.amphenolrf.com DRAWING NO. 920-265J-51P ITEM NO. 920-265J-51P PART NO. 920-265J-51P |
| | SEE NOTES | ABHAYA KISHORE | 07-Feb-13 | | |
| | REFERENCE | ENGINEER | DATE | SCALE: 12.0:1.0 SHEET 2 OF 2 | |
| | EAR # 3289 | T. SMITH | 07-Feb-13 | DWG SIZE B REV A | |
| NOTICE - These drawings, specifications, or other data (1) are, and remain the property of Amphenol corp. (2) must be returned upon request; and (3) are confidential and not to be disclosed to any person other than those to whom they are given by Amphenol Corp. the furnishing of these drawings, specifications, or other data by Amphenol Corp., or to any other person to anyone for any purpose is not to be regarded by implication or otherwise in any manner licensing, granting rights to permitting such holder or any other person to manufacture, use or sell any product, process or design, patented or otherwise, that may in any way be related to or disclosed by said drawings, specifications, or other data. | CONFIGURATION LEVEL: | APPROVED | DATE | | |
| | | S. HSIEH | 07-Aug-13 | | |
| | FINISH | CAD FILE | | | |