



Chipsmall Limited consists of a professional team with an average of over 10 year of expertise in the distribution of electronic components. Based in Hongkong, we have already established firm and mutual-benefit business relationships with customers from,Europe,America and south Asia,supplying obsolete and hard-to-find components to meet their specific needs.

With the principle of “Quality Parts,Customers Priority,Honest Operation,and Considerate Service”,our business mainly focus on the distribution of electronic components. Line cards we deal with include Microchip,ALPS,ROHM,Xilinx,Pulse,ON,Everlight and Freescale. Main products comprise IC,Modules,Potentiometer,IC Socket,Relay,Connector.Our parts cover such applications as commercial,industrial, and automotives areas.

We are looking forward to setting up business relationship with you and hope to provide you with the best service and solution. Let us make a better world for our industry!



## Contact us

Tel: +86-755-8981 8866 Fax: +86-755-8427 6832

Email & Skype: info@chipsmall.com Web: www.chipsmall.com

Address: A1208, Overseas Decoration Building, #122 Zhenhua RD., Futian, Shenzhen, China



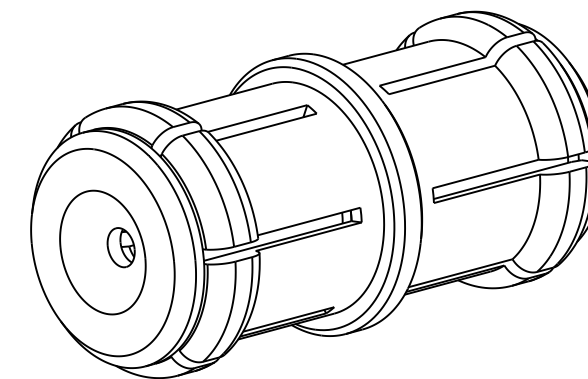
NOTES:

1. MATERIAL AND FINISH (PLATING THICKNESS IN MICRO-INCHES):  
 BODY BERYLLIUM COPPER, ALBALOY PLATING OVER SILVER  
 CONTACT PIN BERYLLIUM COPPER, GOLD PLATING  
 INSULATOR PTFE, NATURAL
2. ELECTRICAL:  
 A. IMPEDANCE: 50 OHM  
 B. FREQUENCY RANGE: DC- 6 GHz  
 C. RETURN LOSS(VSWR) AT AXIAL FLOAT POSITION:  
 DC-3 GHz: 30 dB (1.07) @ NOMINAL  
           21 dB (1.20) @ ±0.7 mm  
 3-6 GHz: 29 dB (1.07) @ NOMINAL  
           15 dB (1.43) @ ±0.7 mm  
 D. INSULATION RESISTANCE: 5 GOHM MIN.  
 E. POWER HANDLING: 40 W MAX. @ 2.6GHz AT 85°C  
 F. 3TH PIM: -150 dBc Max. @ 2100 MHZ (2X43 dBM)
3. MECHANICAL:  
 A. MATING CYCLES: 200 MIN FOR SMOOTH BORE  
                   50 MIN FOR LIMITED DETENT  
 B. TEMPERATURE RANGE: -55°C TO +125°C
4. PACKAGING:  
 A. PACKAGE IN 50 PIECE TRAYS  
 B. MARK TRAYS: "AMPHENOL RF, 920-506A-51S, DATE CODE"

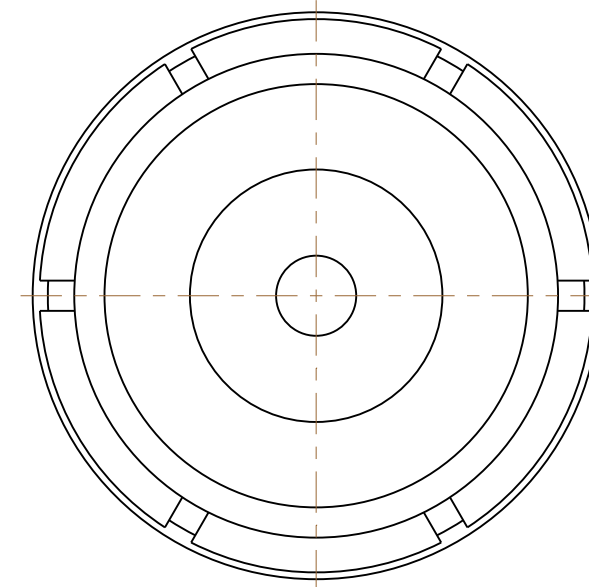
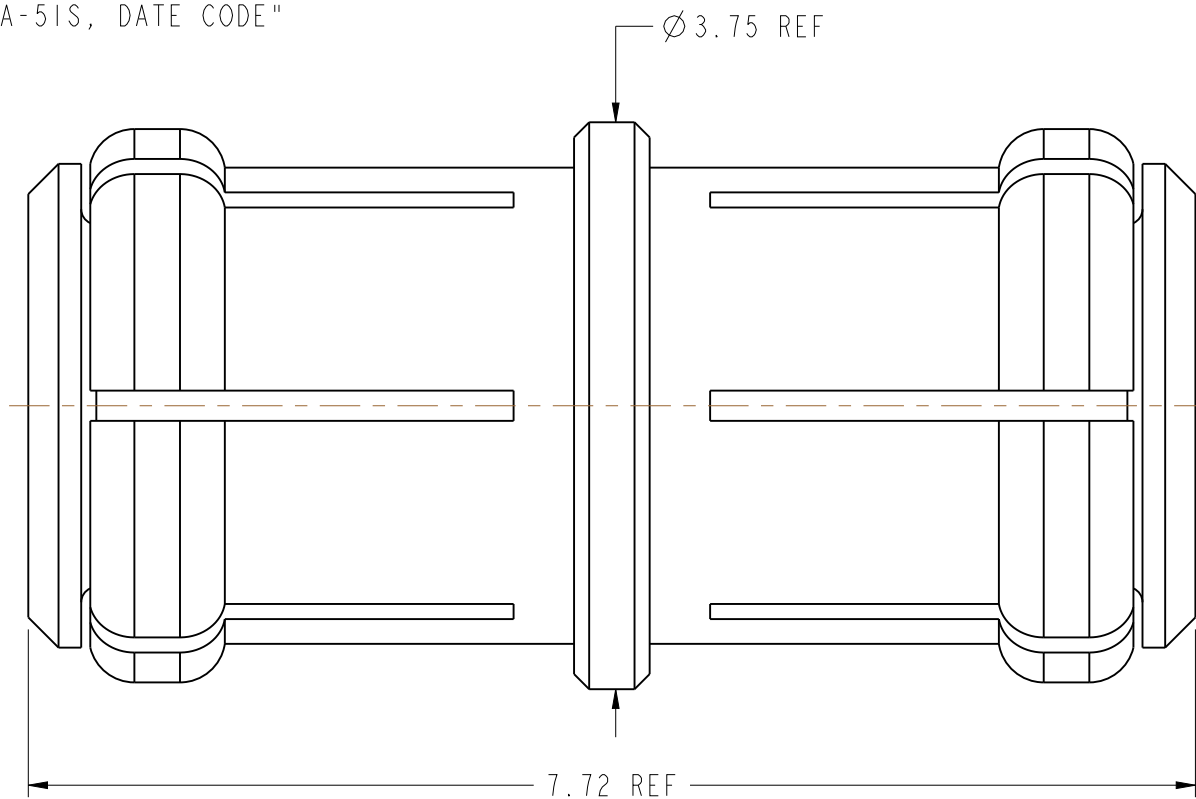
THIRD ANGLE PROJ.

REVISIONS

REV	DESCRIPTION	DATE	ECO	APPR
A	RELEASE TO MFG.	24-May-18	8168	BMG



SCALE 10.000



**CUSTOMER OUTLINE DRAWING**  
 ALL OTHER SHEETS ARE FOR INTERNAL USE ONLY

UNLESS OTHERWISE SPECIFIED, DIMENSIONS ARE IN METRIC AND TOLERANCES ARE:  
 <0.5mm ±0.05mm    0.5 - 6mm ±0.1mm    6 - 30mm ±0.2mm    30 - 120mm ±0.3mm    ANGLES ±1°

NOTICE - These drawings, specifications, or other data (1) are, and remain the property of Amphenol corp. (2) must be returned upon request; and (3) are confidential and not to be disclosed to any person other than those to whom they are given by Amphenol Corp. the furnishing of these drawings, specifications, or other data by Amphenol Corp., or to any other person to anyone for any purpose is not to be regarded by implication or otherwise in any manner licensing, granting rights to permitting such holder or any other person to manufacture, use or sell any product, process or design, patented or otherwise, that may in any way be related to or disclosed by said drawings, specifications, or other data.

MATERIAL	DRAWN	DATE	TITLE	Amphenol RF www.amphenolrf.com
SEE NOTES	B. GREENBAUM	24-May-17	HD-EFI 7.72MM BULLET	
REFERENCE	ENGINEER	DATE	SCALE: 20.0:1.0 SHEET 2 OF 2	DRAWING NO. 920-506A-51S
EAR# 7563	B. GREENBAUM	24-May-17		ITEM NO. 920-506A-51S
REF: 615X-3350-X00	APPROVED	DATE	DWG SIZE B	PART NO. 920-506A-51S
CONFIGURATION LEVEL: In Work	K. CAPOZZI	24-May-18		REV A
FINISH	CAD FILE			