



Chipsmall Limited consists of a professional team with an average of over 10 year of expertise in the distribution of electronic components. Based in Hongkong, we have already established firm and mutual-benefit business relationships with customers from,Europe,America and south Asia,supplying obsolete and hard-to-find components to meet their specific needs.

With the principle of “Quality Parts,Customers Priority,Honest Operation,and Considerate Service”,our business mainly focus on the distribution of electronic components. Line cards we deal with include Microchip,ALPS,ROHM,Xilinx,Pulse,ON,Everlight and Freescale. Main products comprise IC,Modules,Potentiometer,IC Socket,Relay,Connector.Our parts cover such applications as commercial,industrial, and automotives areas.

We are looking forward to setting up business relationship with you and hope to provide you with the best service and solution. Let us make a better world for our industry!



## Contact us

Tel: +86-755-8981 8866 Fax: +86-755-8427 6832

Email & Skype: info@chipsmall.com Web: www.chipsmall.com

Address: A1208, Overseas Decoration Building, #122 Zhenhua RD., Futian, Shenzhen, China



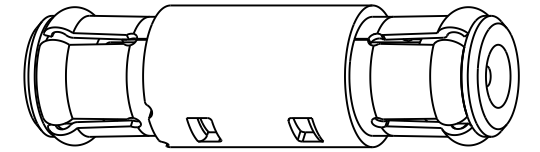
NOTES:

1. MATERIAL AND FINISH:
  - BODY: COPPER ALLOY, ALBALOY PLATING
  - CONTACT PIN: COPPER NICKEL ALLOY, GOLD PLATING
  - INSULATOR: POM, NATURAL
2. ELECTRICAL:
  - A. IMPEDANCE: 50 OHM
  - B. FREQUENCY RANGE: DC - 6 GHz
  - C. RETURN LOSS(VSWR): AT AXIAL FLOAT POSITION
    - DC-3 GHz: 23dB (1.16) @ NOMINAL
    - 20dB (1.22) ± 0.7 mm
    - 3- 6 GHz: 18dB (1.28) @ NOMINAL
    - 15dB (1.44) ± 0.7 mm
  - D. INSULATION RESISTANCE: 5 GOHM MIN.
  - E. POWER HANDLING: 120 W MAX. @ 2.5GHz AT 85°C
3. MECHANICAL:
  - A. MATING CYCLES: 200 MIN FOR SMOOTH BORE
  - 50 MIN FOR LIMITED DETENT
  - B. TEMPERATURE RANGE: -40°C TO +85°C
4. PACKAGING:
  - A. PACKAGE IN 50 PIECE TRAYS
  - B. MARK TRAYS: "AMPHENOL RF, 920-509A-51S, DATE CODE, U.S. PATENT NO. 9,735,521 & 9,735,531"

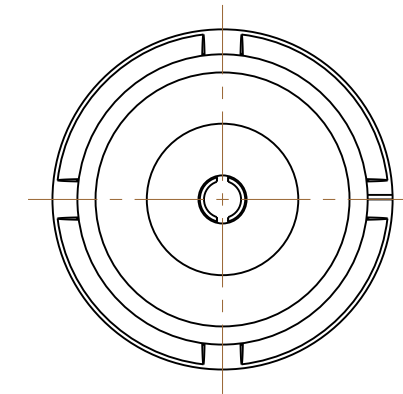
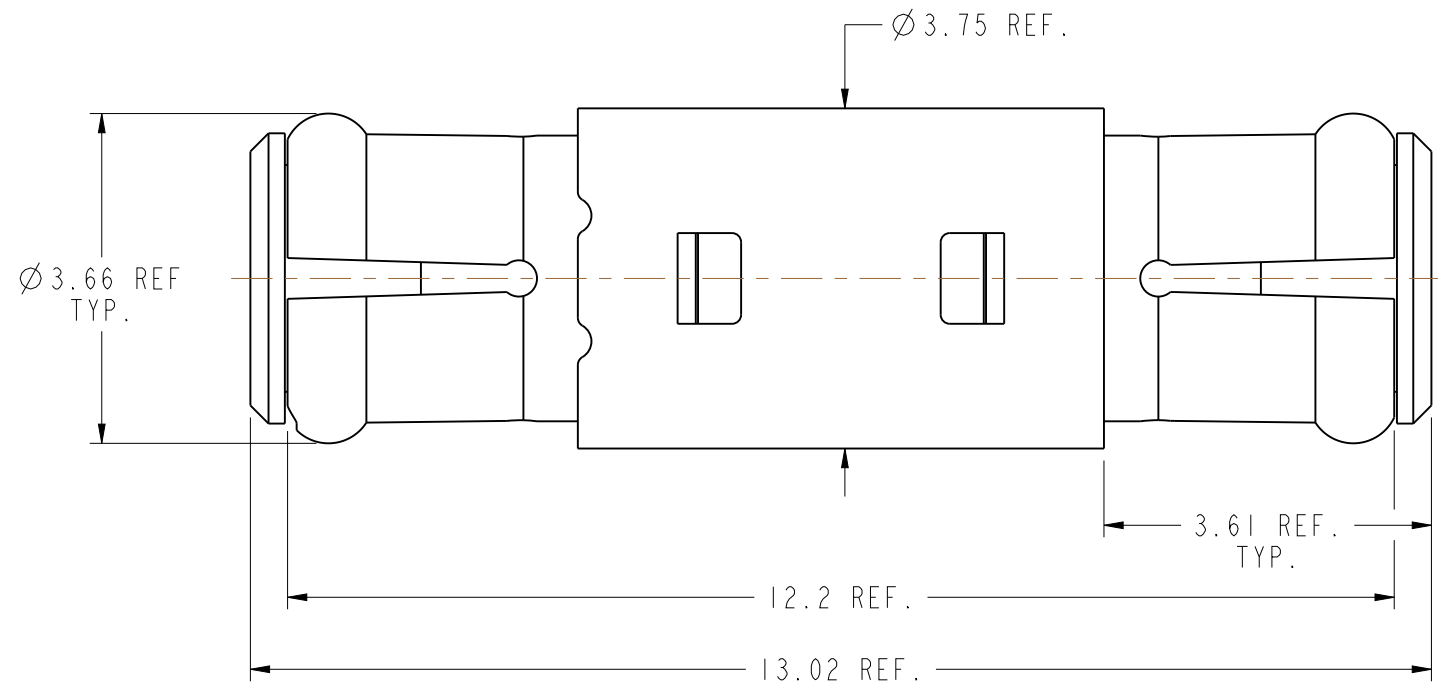
THIRD ANGLE PROJ.

REVISIONS

REV	DESCRIPTION	DATE	ECO	APPR
A	RELEASE TO MFG.	24-May-18	8168	BMG



SCALE 5.000



**PROTECTED UNDER U.S. PATENT # 9,735,521 & 9,735,531**

**CUSTOMER OUTLINE DRAWING**

ALL OTHER SHEETS ARE FOR INTERNAL USE ONLY

UNLESS OTHERWISE SPECIFIED, DIMENSIONS ARE IN METRIC AND TOLERANCES ARE:  
 <0.5mm ±0.05mm    0.5 - 6mm ±0.1mm    6 - 30mm ±0.2mm    30 - 120mm ±0.3mm    ANGLES ±1°

NOTICE - These drawings, specifications, or other data (1) are, and remain the property of Amphenol corp. (2) must be returned upon request; and (3) are confidential and not to be disclosed to any person other than those to whom they are given by Amphenol Corp. the furnishing of these drawings, specifications, or other data by Amphenol Corp., or to any other person to anyone for any purpose is not to be regarded by implication or otherwise in any manner licensing, granting rights to permitting such holder or any other person to manufacture, use or sell any product, process or design, patented or otherwise, that may in any way be related to or disclosed by said drawings, specifications, or other data.

MATERIAL	SEE NOTES	DRAWN	B. GREENBAUM	DATE	19-Jun-17	TITLE	HD-EFI BULLET UPDATED STAMPING	Amphenol RF	www.amphenolrf.com
REFERENCE	EAR# 7563	ENGINEER	B. GREENBAUM	DATE	19-Jun-17				
REF: ----		APPROVED	K. CAPOZZI	DATE	24-May-18	SCALE: 12.0:1.0	SHEET 2 OF 2	DRAWING NO.	920-509A-51S
CONFIGURATION LEVEL: In Work		CAD FILE				DWG SIZE	B	REV	A
FINISH								ITEM NO.	920-509A-51S
								PART NO.	920-509A-51S