



Chipsmall Limited consists of a professional team with an average of over 10 year of expertise in the distribution of electronic components. Based in Hongkong, we have already established firm and mutual-benefit business relationships with customers from,Europe,America and south Asia,supplying obsolete and hard-to-find components to meet their specific needs.

With the principle of “Quality Parts,Customers Priority,Honest Operation,and Considerate Service”,our business mainly focus on the distribution of electronic components. Line cards we deal with include Microchip,ALPS,ROHM,Xilinx,Pulse,ON,Everlight and Freescale. Main products comprise IC,Modules,Potentiometer,IC Socket,Relay,Connector.Our parts cover such applications as commercial,industrial, and automotives areas.

We are looking forward to setting up business relationship with you and hope to provide you with the best service and solution. Let us make a better world for our industry!



Contact us

Tel: +86-755-8981 8866 Fax: +86-755-8427 6832

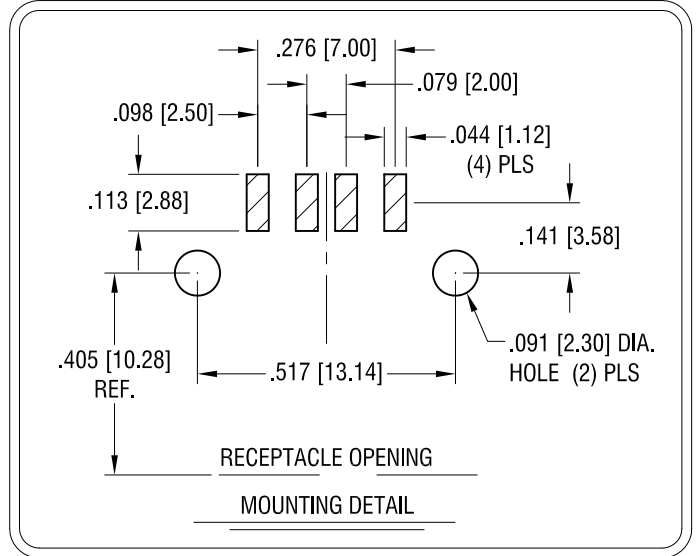
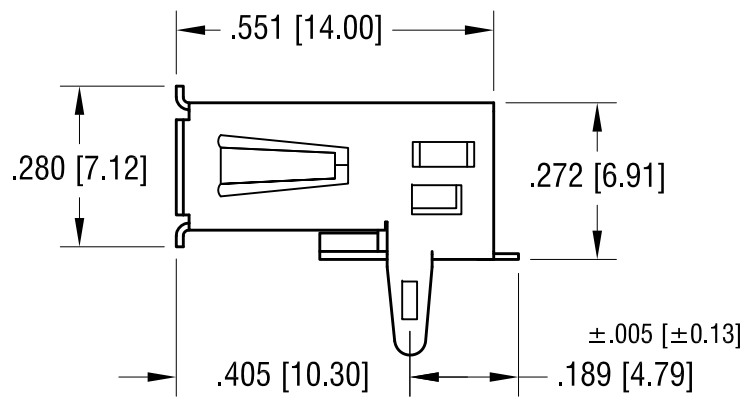
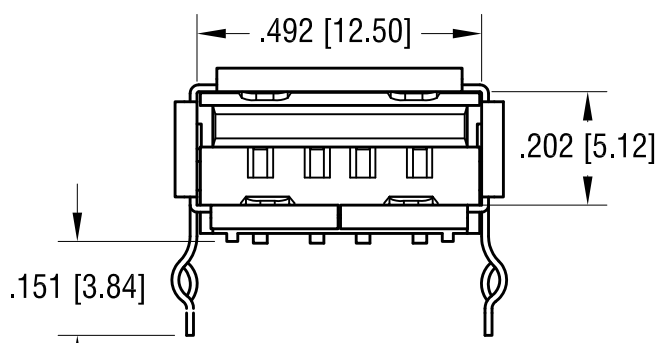
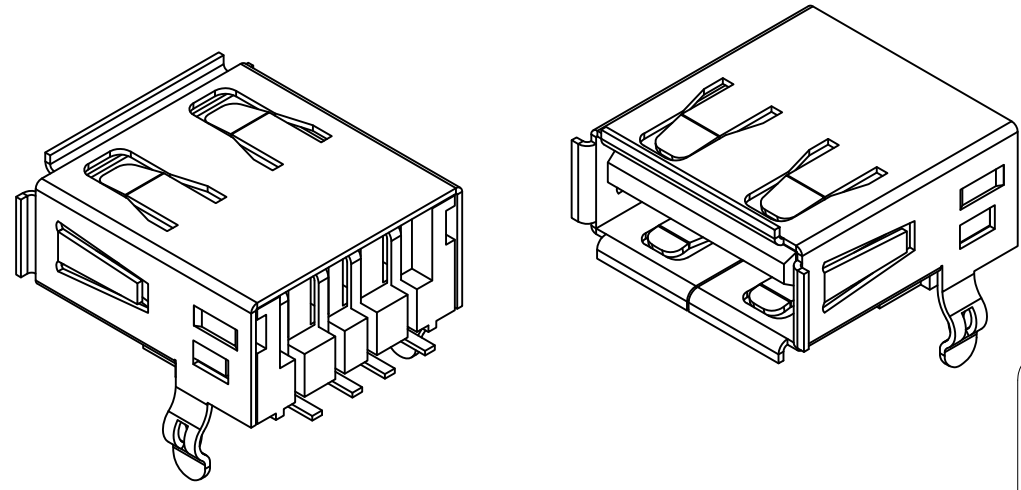
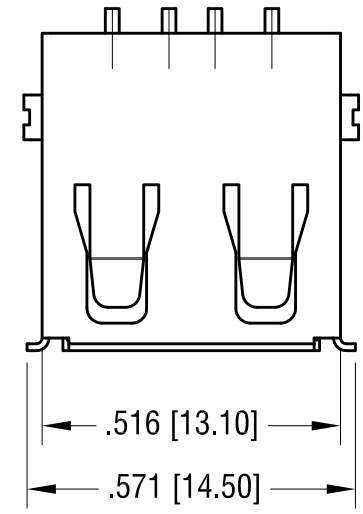
Email & Skype: info@chipsmall.com Web: www.chipsmall.com

Address: A1208, Overseas Decoration Building, #122 Zhenhua RD., Futian, Shenzhen, China



DATE	DESCRIPTION	REV.
12.16.09	CHANGE AS PER ECN 09-187	A
3.10.11	CHANGE AS PER ECN 11-037	B

$\pm .005 [\pm 0.13]$
 .098 [2.50]
 $\pm .005 [\pm 0.13]$
 .023 [0.58]
 (4) PLS
 $\pm .005 [\pm 0.13]$
 .079 [2.00]
 $\pm .005 [\pm 0.13]$
 .098 [2.50]



Notes:
Material:
 Shell: Brass, Nickel Plate.
 Insulator: PBT
 Contacts: Phosphor Bronze
Finish:
 Contact Area: Gold Plate over Nickel Plate
 on Solder Tail: Tin Plate over Nickel Plate

Electrical Specifications
 Rated Voltage: 30V AC (rms)
 Contact Current Rating: 1 A Max.
 Contact Resistance: 30 milliohms Max.
 Dielectric Withstanding: 750V AC
 Operating Temperature: -55°C to 85°C

THIS DOCUMENT IS THE PROPERTY OF
 KEYSTONE ELECTRONICS CORP. AND
 SHALL NOT BE REPRODUCED, DISTRIBUTED
 OR USED AS A BASIS FOR MANUFACTURE
 WITHOUT PRIOR WRITTEN PERMISSION
 FROM KEYSTONE ELECTRONICS CORP.

KEYSTONE ELECTRONICS CORP.			
www.keyelco.com • ASTORIA, N.Y. 11105-2017 • Tel (718) 956-8900			
PART NAME			
USB A-TYPE HORIZONTAL SMT SOCKET			
MATERIAL			
AS NOTED			
FINISH		DRN BY	DATE
AS NOTED		BOONE	5.30.06
		APPD	SCALE
		LN	3X
TOLERANCES	INCH [MM]	CODE	DWG NO.
DECIMAL	$\pm .010 [\pm 0.25]$	C/M	920
ANGULAR	$\pm 1^\circ$		
UNLESS OTHERWISE SPECIFIED			