



Chipsmall Limited consists of a professional team with an average of over 10 year of expertise in the distribution of electronic components. Based in Hongkong, we have already established firm and mutual-benefit business relationships with customers from,Europe,America and south Asia,supplying obsolete and hard-to-find components to meet their specific needs.

With the principle of “Quality Parts,Customers Priority,Honest Operation,and Considerate Service”,our business mainly focus on the distribution of electronic components. Line cards we deal with include Microchip,ALPS,ROHM,Xilinx,Pulse,ON,Everlight and Freescale. Main products comprise IC,Modules,Potentiometer,IC Socket,Relay,Connector.Our parts cover such applications as commercial,industrial, and automotives areas.

We are looking forward to setting up business relationship with you and hope to provide you with the best service and solution. Let us make a better world for our industry!



Contact us

Tel: +86-755-8981 8866 Fax: +86-755-8427 6832

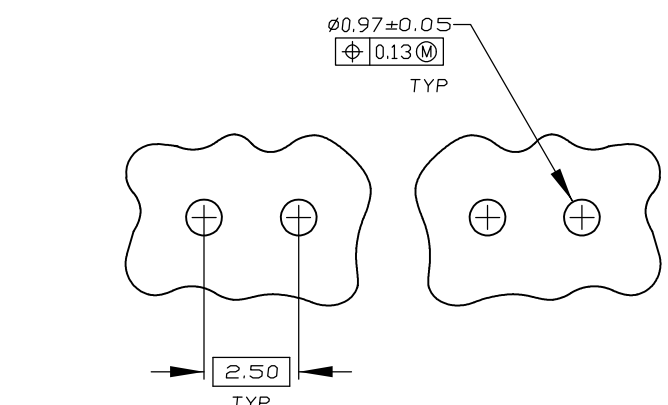
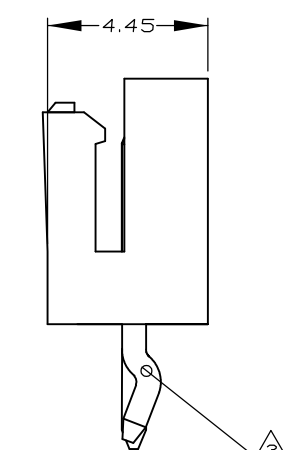
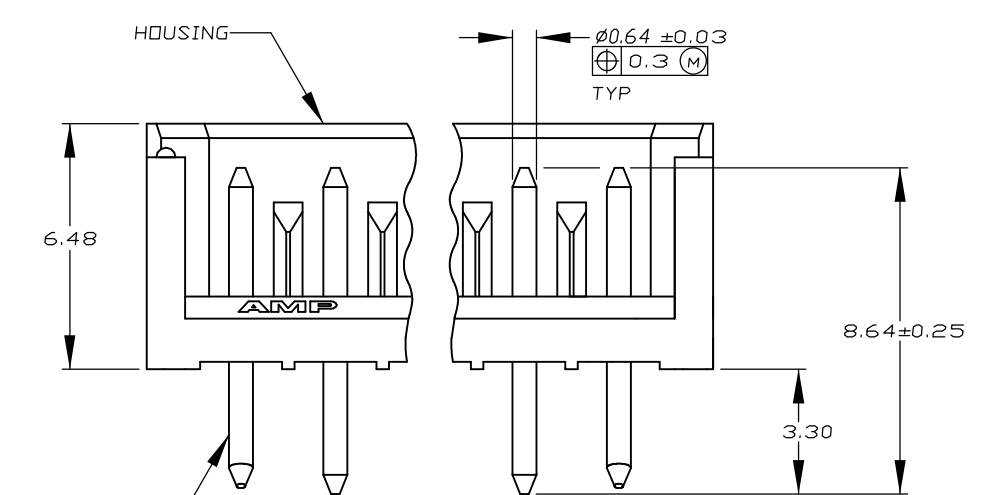
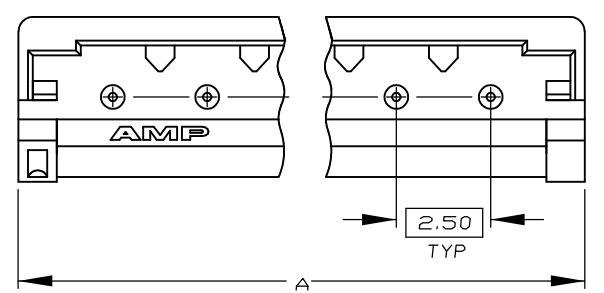
Email & Skype: info@chipsmall.com Web: www.chipsmall.com

Address: A1208, Overseas Decoration Building, #122 Zhenhua RD., Futian, Shenzhen, China



THIS DRAWING IS UNPUBLISHED. RELEASED FOR PUBLICATION
 © COPYRIGHT - By - ALL RIGHTS RESERVED.

LOC	DIST	REVISIONS					
ES	00	P	LTR	DESCRIPTION	DATE	DWN	APVD
NOTES:			F2	REVISED PER ECO-11-005033	28MAR11	RK	HMR



RECOMMENDED MOUNTING HOLE PATTERN FOR 1.57 THICK PRINTED CIRCUIT BOARD

- 1 MATERIAL: HEADER: NYLON UL94V-0 (WHITE), POST: BRASS, TIN OVER NICKEL OR GOLD OVER NICKEL
- 2. POST COMPLY WITH AMP SOLDERABILITY SPEC 109-11-2.
- 3 RETENTION DETAIL LOCATED ON END CIRCUITS ONLY
- 4 (2) CIRCUIT HEADER TO BE AS SHOWN IN FIGURE 1.

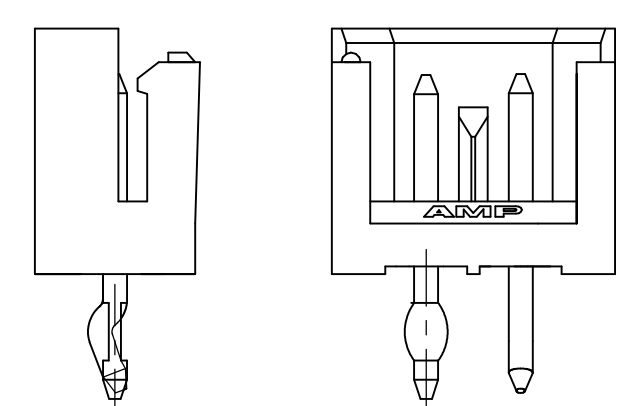


FIG. 1 $\triangle 4$

- 5 OBSOLETE PARTS: OBSOLETE CIS STREAMLINING PER D.RENAUD/D.SINISI

$\triangle 5$ OBSOLETE	37.5	14	GOLD PLATED PIN	3-92008-4	TIN PLATED PIN	1-92008-4
	35	13		3-92008-3		1-92008-3
	32.5	12		3-92008-2		1-92008-2
	30	11		3-92008-1		1-92008-1
	27.5	10		3-92008-0		1-92008-0
	25	9		2-92008-9		92008-9
	22.5	8		2-92008-8		92008-8
	20	7		2-92008-7		92008-7
	17.5	6		2-92008-6		92008-6
	15	5		2-92008-5		92008-5
	12.5	4		2-92008-4		92008-4
	10	3		2-92008-3		92008-3
7.5	2	2-92008-2	92008-2			
A		NO OF CIRCUITS	PART NO		PART NO	

THIS DRAWING IS A CONTROLLED DOCUMENT.		DWN SARIATI 08SEP2003	TE Connectivity HEADER ASSEMBLY, ROUND PIN METRIC INTERCONNECT SYSTEM			
DIMENSIONS: mm		CHK MAGGIE				
TOLERANCES UNLESS OTHERWISE SPECIFIED:		PRODUCT SPEC 108-51007	APPLICATION SPEC		RESTRICTED TO	
0 PLC ± - 1 PLC ± - 2 PLC ± - 3 PLC ± - 4 PLC ± - ANGLES ± - FINISH		WEIGHT	SIZE A3	CAGE CODE 00779	DRAWING NO C-92008	RESTRICTED TO
MATERIAL		CUSTOMER DRAWING	SCALE 1:1		SHEET 1 OF 1	REV F2