



Chipsmall Limited consists of a professional team with an average of over 10 year of expertise in the distribution of electronic components. Based in Hongkong, we have already established firm and mutual-benefit business relationships with customers from,Europe,America and south Asia,supplying obsolete and hard-to-find components to meet their specific needs.

With the principle of “Quality Parts,Customers Priority,Honest Operation,and Considerate Service”,our business mainly focus on the distribution of electronic components. Line cards we deal with include Microchip,ALPS,ROHM,Xilinx,Pulse,ON,Everlight and Freescale. Main products comprise IC,Modules,Potentiometer,IC Socket,Relay,Connector.Our parts cover such applications as commercial,industrial, and automotives areas.

We are looking forward to setting up business relationship with you and hope to provide you with the best service and solution. Let us make a better world for our industry!



Contact us

Tel: +86-755-8981 8866 Fax: +86-755-8427 6832

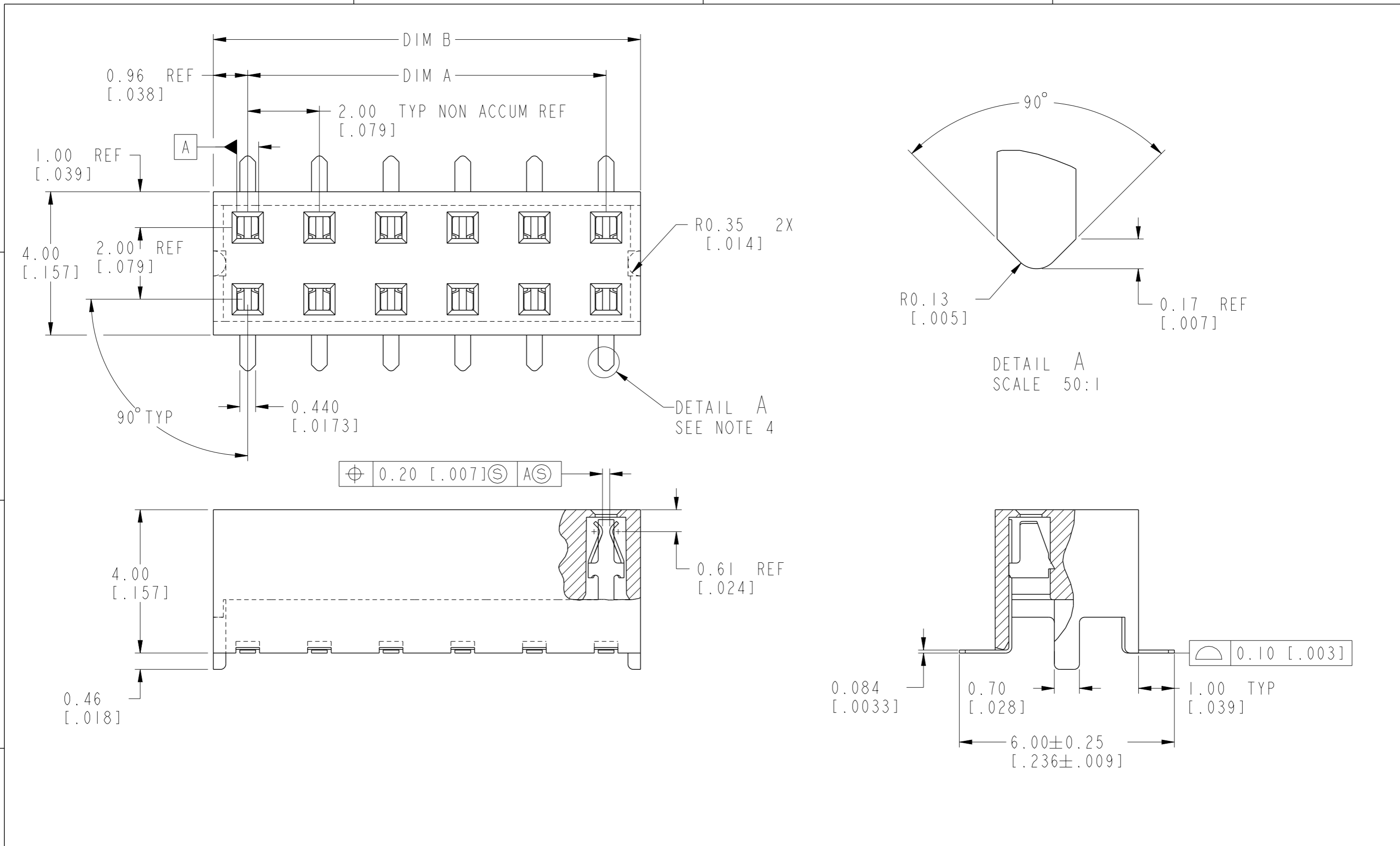
Email & Skype: info@chipsmall.com Web: www.chipsmall.com

Address: A1208, Overseas Decoration Building, #122 Zhenhua RD., Futian, Shenzhen, China





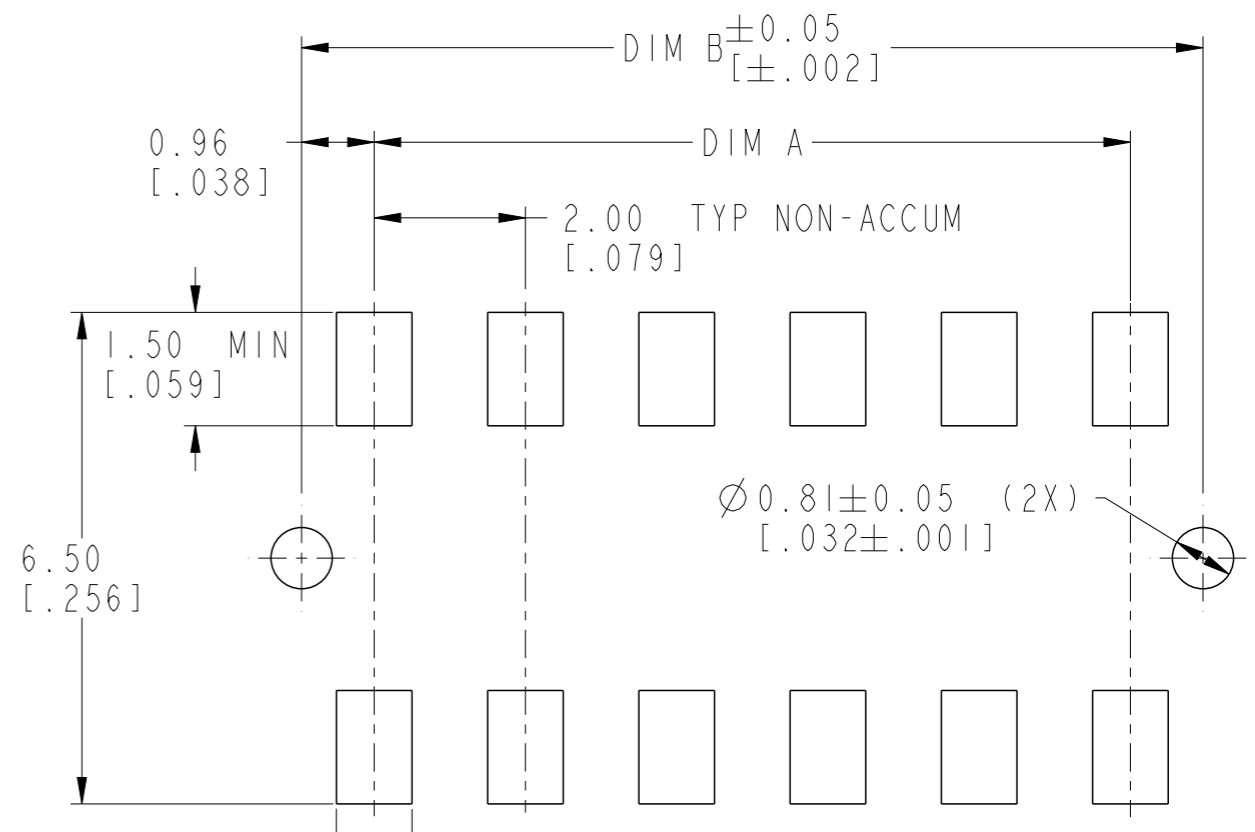
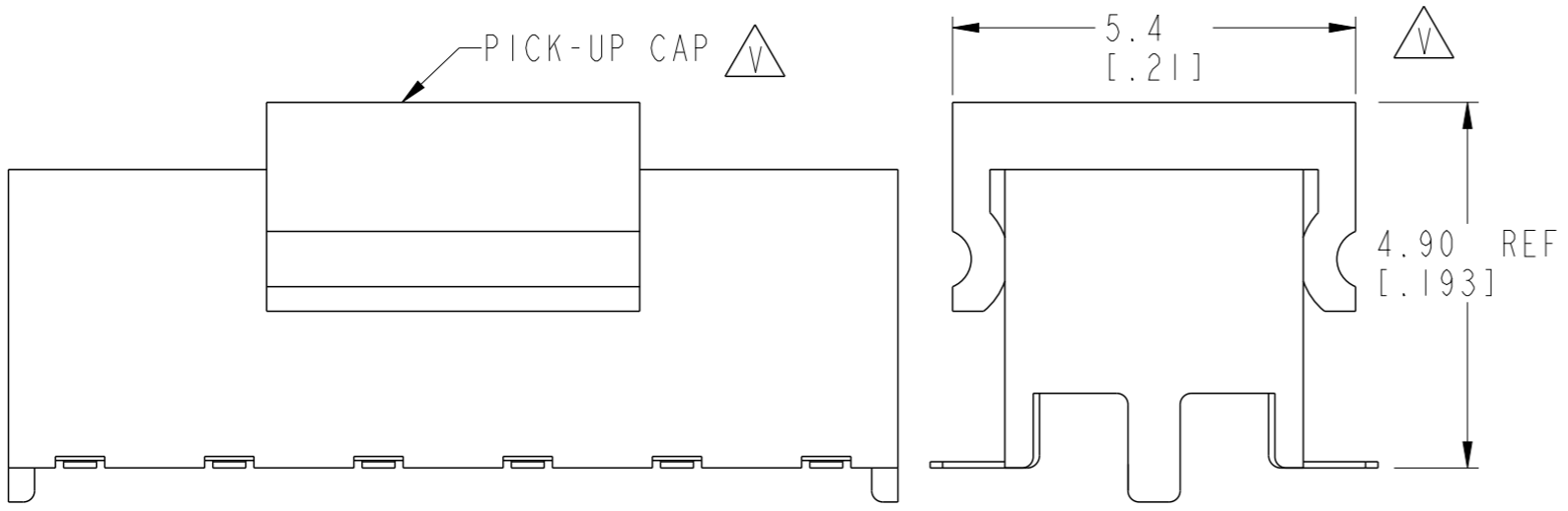
Copyright FCI.



| | | | | | | | | | | |
|---------------------------------------|---------------------|-------------|---------------|------------|--------------------------------------|-----------|--------------|----|----------------|------|
| spec ref | - | dr | Andrew Yong | 2010/10/14 | projection | MM / INCH | size | A3 | scale | 10:1 |
| tolerance std | ISO 406 ISO 1101 | eng | Andrew Yong | 2011/08/22 | | | ecn no | | ELX-S-005192-1 | |
| TOLERANCES UNLESS OTHERWISE SPECIFIED | | chr | Aik-Peng Lim | 2011/08/22 | | | rel level | | Released | |
| surface | ✓ | appr | Chen-Hong Tan | 2011/08/22 | product family | | LPVCC | | rev | V |
| ISO 1302 | linear | | | | LOW PROFILE VCC SMT | | dwg no | | 92086 | |
| | angular | www.fci.com | | | 4.0 ASSY WITH 0.46 LOCATING FEATURES | | cat. no. | | - | |
| | | | | | Product - Customer Drw | | sheet 1 of 3 | | | |

| PRODUCT NO. | POSITIONS | DIM. A | DIM. B |
|-------------|-----------|---------------|---------------|
| 92086-X04 | 2 X 2 | 2.00 / .079 | 3.92 / .154 |
| -X06 | 2 X 3 | 4.00 / .158 | 5.92 / .233 |
| -X08 | 2 X 4 | 6.00 / .236 | 7.92 / .312 |
| -X10 | 2 X 5 | 8.00 / .315 | 9.92 / .391 |
| -X12 | 2 X 6 | 10.00 / .394 | 11.92 / .469 |
| -X14 | 2 X 7 | 12.00 / .472 | 13.92 / .548 |
| -X16 | 2 X 8 | 14.00 / .551 | 15.92 / .627 |
| -X18 | 2 X 9 | 16.00 / .630 | 17.92 / .706 |
| -X20 | 2 X 10 | 18.00 / .709 | 19.92 / .784 |
| -X22 | 2 X 11 | 20.00 / .787 | 21.92 / .863 |
| -X24 | 2 X 12 | 22.00 / .866 | 23.92 / .942 |
| -X26 | 2 X 13 | 24.00 / .945 | 25.92 / 1.020 |
| -X28 | 2 X 14 | 26.00 / 1.024 | 27.92 / 1.099 |
| -X30 | 2 X 15 | 28.00 / 1.102 | 29.92 / 1.178 |

| PRODUCT NO. | CONTACT AREA PLATING. | SOLDER TAIL PLATING. |
|--|--|----------------------|
| 92086-XXX | 0 = 0.20µm/8µ" Au | TIN/LEAD |
| | 1 = 0.76µm/30µ" Au | TIN/LEAD |
| | 3 = 0.38m/15µ" Au | TIN/LEAD |
| 92086-XXXLF | 6 = 0.76µm/30µ" PdNi WITH 0.076µm/3µ" Au FLASH (POST PLATED) | TIN/LEAD |
| | 0 = 0.20µm/8µ" Au | GOLD FLASH |
| | 1 = 0.76µm/30µ" Au | GOLD FLASH |
| | 3 = 0.38m/15µ" Au | GOLD FLASH |
| 6 = 0.76µm/30µ" PdNi WITH 0.076µm/3µ" Au FLASH (POST PLATED) | GOLD FLASH | |



RECOMMENDED PAD LAYOUT

| | | | | | | | | | | |
|---------------|---------------------------------------|------|---------------|------------|--------------------------------------|-----------|-----------|------------------------|--------------|----------------|
| spec ref | - | dr | Andrew Yong | 2010/10/14 | projection | MM / INCH | size | A3 | scale | 10:1 |
| tolerance std | ISO 406 ISO 1101 | eng | Andrew Yong | 2011/08/22 | | | ecn no | A3 | rel level | ELX-S-005192-1 |
| | TOLERANCES UNLESS OTHERWISE SPECIFIED | chr | Aik-Peng Lim | 2011/08/22 | | | | | | Released |
| surface | ISO 1302 | appr | Chen-Hong Tan | 2011/08/22 | product family | LPVCC | rel level | Released | | |
| | linear | | | | LOW PROFILE VCC SMT | | dwg no | 92086 | rev | V |
| | angular | | | | 4.0 ASSY WITH 0.46 LOCATING FEATURES | | | | | |
| | 0° | | | | www.fci.com | cat. no. | - | Product - Customer Drw | sheet 2 of 3 | |



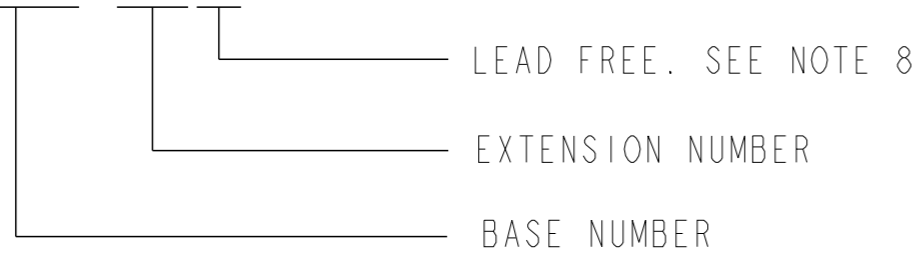
Copyright FCI.

NOTES:

- 1. HOUSING MATERIAL : HIGH TEMP PLASTIC (PCT BLACK)
- 2. TERMINAL MATERIAL : BeCu.
- 3. TERMINAL RETENTION 0.5Kg/1.1 Lbs.
- 4. "V" CUT OPTIONAL - MANUFACTURING PROCESS OPTION.

5. PRODUCT DESCRIPTION CODE :

XXXXX-XXXLF



- 6. PACKAGING:
 - (a) XXXXX-XXX --- STD PACKAGING IN TUBE.
 - (b) XXXXX-XXXTR --- TAPE AND REEL (CONDUCTIVE) PACKAGING WITH PICK-UP CAP (SEE FIG 1).
 - (c) XXXXX-XXXTRN --- TAPE AND REEL (CONDUCTIVE) PACKAGING WITHOUT PICK-UP CAP.
 - (d) XXXXX-XXXTC --- PACKAGING IN TUBE WITH PICK-UP CAP.
- 7. THE HOUSING WILL WITHSTAND EXPOSURE TO 255°C PEAK TEMPERATURE FOR 10 SECONDS IN A CONVECTION, INFRA-RED OR VAPOR PHASE REFLOW OVEN.
- 8. THIS PRODUCT MEETS EUROPEAN UNION DIRECTIVES AND OTHER COUNTRY REGULATIONS AS DESCRIBED IN GS-22-008.
- 9. A SYMBOL WILL BE NEXT TO ANY DIMENSION, VIEW OR NOTE WHICH HAS BEEN MODIFIED WITH THE CURRENT DRAWING REVISION.



Copyright FCI.

| | | | | | | | | | | | |
|---------------------------------------|--------|-------|---------------|------------|----------------|--------------------------------------|-----------|----------------|-------|------|---|
| spec ref - | | dr | Andrew Yong | 2010/10/14 | projection | MM / INCH | size | A3 | scale | 10:1 | |
| tolerance std ISO 406 ISO 1101 | | eng | Andrew Yong | 2011/08/22 | | | ecn no | ELX-S-005192-1 | | | |
| TOLERANCES UNLESS OTHERWISE SPECIFIED | | chr | Aik-Peng Lim | 2011/08/22 | | | rel level | Released | | | |
| surface | | appr | Chen-Hong Tan | 2011/08/22 | product family | LPVCC | | | | | |
| ISO 1302 | linear | 0.X | ±0.3/.01 | | title | LOW PROFILE VCC SMT | | dwg no | 92086 | rev | V |
| | | 0.XX | ±0.13/.005 | | | 4.0 ASSY WITH 0.46 LOCATING FEATURES | | | | | |
| | | 0.XXX | ±0.051/.0020 | | | cat. no. | - | | | | |
| angular | 0° | ±2° | www.fci.com | | | | | | | | |