



Chipsmall Limited consists of a professional team with an average of over 10 year of expertise in the distribution of electronic components. Based in Hongkong, we have already established firm and mutual-benefit business relationships with customers from,Europe,America and south Asia,supplying obsolete and hard-to-find components to meet their specific needs.

With the principle of “Quality Parts,Customers Priority,Honest Operation,and Considerate Service”,our business mainly focus on the distribution of electronic components. Line cards we deal with include Microchip,ALPS,ROHM,Xilinx,Pulse,ON,Everlight and Freescale. Main products comprise IC,Modules,Potentiometer,IC Socket,Relay,Connector.Our parts cover such applications as commercial,industrial, and automotives areas.

We are looking forward to setting up business relationship with you and hope to provide you with the best service and solution. Let us make a better world for our industry!



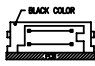

Contact us

Tel: +86-755-8981 8866 Fax: +86-755-8427 6832

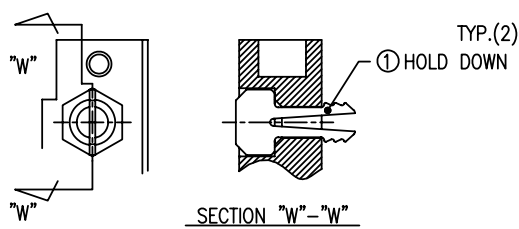
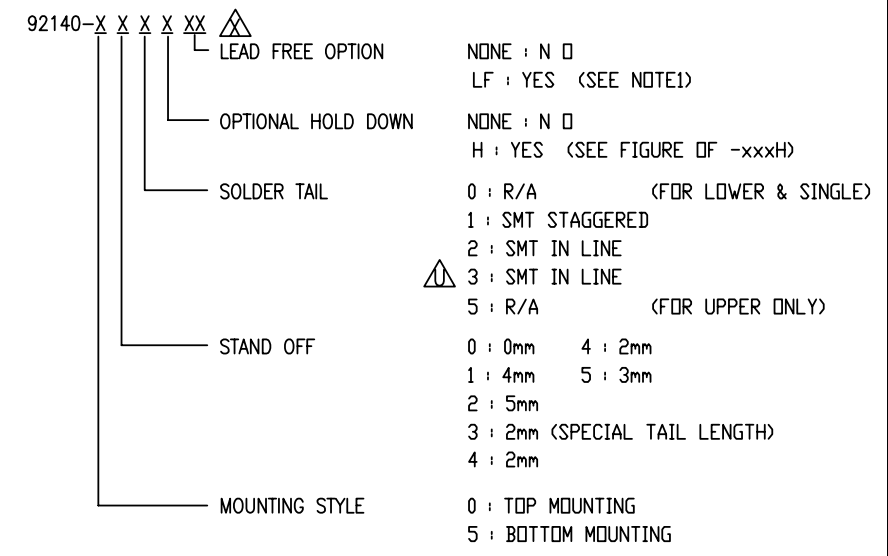
Email & Skype: info@chipsmall.com Web: www.chipsmall.com

Address: A1208, Overseas Decoration Building, #122 Zhenhua RD., Futian, Shenzhen, China



PRODUCT NO.	PRODUCT NO.	STAND OFF	SOLDER TAIL	DIM "P" (mm)	DIM "Q" (mm)	FOR LOWER DECK OR UPPER DECK	HOLD DOWN	LOCATOR FOR SOLDER TAIL ALIGNMENT	SHEET NO.	MOUNTING STYLE TO PCB		
92140	92140-XXXX	mm	mm	mm	mm							
000	0	R/A	2.8	2.8	---	LOWER	NONE	NONE	NO.2	TOP MOUNT [92140-0XXX] 		
000LF	0	R/A	2.8	2.8	---	LOWER	NONE	NONE				
000H	0	R/A	2.8	2.8	---	LOWER	YES	NONE				
000HLF	0	R/A	2.8	2.8	---	LOWER	YES	NONE				
001	0	SMT STG.	---	---	---	LOWER	NONE	NONE				
001LF	0	SMT STG.	---	---	---	LOWER	NONE	NONE				
001H	0	SMT STG.	---	---	---	LOWER	YES	NONE				
001HLF	0	SMT STG.	---	---	---	LOWER	YES	NONE				
002	0	SMT LL	---	---	---	LOWER	NONE	NONE				
002LF	0	SMT LL	---	---	---	LOWER	NONE	NONE				
002H	0	SMT LL	---	---	---	LOWER	YES	NONE				
002HLF	0	SMT LL	---	---	---	LOWER	YES	NONE				
010	4	R/A	2.8	2.8	---	LOWER	NONE	YES	NO.3			
010LF	4	R/A	2.8	2.8	---	LOWER	NONE	YES				
010H	4	R/A	2.8	2.8	---	LOWER	YES	YES				
010HLF	4	R/A	2.8	2.8	---	LOWER	YES	YES				
020	5	R/A	2.8	2.8	---	LOWER	NONE	YES				
020LF	5	R/A	2.8	2.8	---	LOWER	NONE	YES				
020H	5	R/A	2.8	2.8	---	LOWER	YES	YES				
020HLF	5	R/A	2.8	2.8	---	LOWER	YES	YES				
040	2	R/A	2.5	2.5	---	LOWER	NONE	NONE				
040LF	2	R/A	2.5	2.5	---	LOWER	NONE	NONE				
050	3	R/A	2.8	2.8	---	LOWER	NONE	YES	NO.4			
050LF	3	R/A	2.8	2.8	---	LOWER	NONE	YES				
050H	3	R/A	2.8	2.8	---	LOWER	YES	YES				
050HLF	3	R/A	2.8	2.8	---	LOWER	YES	YES				
005	FDR 0	R/A	2.8	8.6	---	UPPER	NONE	NONE				
005LF	FDR 0	R/A	2.8	8.6	---	UPPER	NONE	YES				
045	FDR 2	R/A	2.5	10.3	---	UPPER	NONE	YES				
045LF	FDR 2	R/A	2.5	10.3	---	UPPER	NONE	YES				
500	0	R/A	2.8	2.8	---	LOWER	NONE	NONE			NO.5	BOTTOM MOUNT [92140-5XXX] 
500LF	0	R/A	2.8	2.8	---	LOWER	NONE	NONE				
500H	0	R/A	2.8	2.8	---	LOWER	YES	NONE				
500HLF	0	R/A	2.8	2.8	---	LOWER	YES	NONE				
501	0	SMT STG.	---	---	---	LOWER	NONE	NONE				
501LF	0	SMT STG.	---	---	---	LOWER	NONE	NONE				
501H	0	SMT STG.	---	---	---	LOWER	YES	NONE				
501HLF	0	SMT STG.	---	---	---	LOWER	YES	NONE				
502	0	SMT LL	---	---	---	LOWER	NONE	NONE				
502LF	0	SMT LL	---	---	---	LOWER	NONE	NONE				
502H	0	SMT LL	---	---	---	LOWER	YES	NONE				
502HLF	0	SMT LL	---	---	---	LOWER	YES	NONE				
503	0	SMT LL	---	---	---	LOWER	NONE	NONE	NO.6			
503LF	0	SMT LL	---	---	---	LOWER	NONE	NONE				
510	4	R/A	2.8	2.8	---	LOWER	NONE	YES				
510LF	4	R/A	2.8	2.8	---	LOWER	NONE	YES				
520	5	R/A	2.8	2.8	---	LOWER	NONE	YES				
520LF	5	R/A	2.8	2.8	---	LOWER	NONE	YES				
520H	5	R/A	2.8	2.8	---	LOWER	YES	YES				
520HLF	5	R/A	2.8	2.8	---	LOWER	YES	YES				
530	2	R/A	1.48	---	---	LOWER	NONE	NONE				
530LF	2	R/A	1.48	---	---	LOWER	NONE	NONE				
540	2	R/A	2.5	---	---	LOWER	NONE	NONE	NO.7			
540LF	2	R/A	2.5	---	---	LOWER	NONE	NONE				
505	FDR 0	R/A	2.8	8.6	---	UPPER	NONE	YES				
505LF	FDR 0	R/A	2.8	8.6	---	UPPER	NONE	YES				
535	FDR 2	R/A	1.48	9.28	---	UPPER	NONE	YES				
535LF	FDR 2	R/A	1.48	9.28	---	UPPER	NONE	YES				
545	FDR 2	R/A	2.5	10.3	---	UPPER	NONE	YES				
545LF	FDR 2	R/A	2.5	10.3	---	UPPER	NONE	YES				

REVISIONS				
REV	DESCRIPTION	ECN	BY	DATE
A	RELEASED	J30043	N.T.	2/23/93
B	REVISED	J30157	Y.S.	5/20/93
C	REVISED (ADDED -111)	J30135	K.S.	8/13/93
D	REVISED	J40005	K.S.	2/ 7/94
E	REVISED	V32220	M.K.	2/16/94
F	REVISED	V32221	M.K.	2/28/94
G	REVISED	J40068	M.K.	3/ 2/94
H	REVISED	V40645	M.K.	6/24/94
J	REVISED	V40840	M.K.	6/29/94
K	REVISED	J50006	M.K.	2/ 9/95
L	REVISED	J50039	M.K.	3/ 1/95
M	REVISED	J50097	S.K.	8/7/95
N	REVISED	J60051	S.K.	3/15/96
P	REVISED (ADDED-020H)	V70154	K.S.	8/8/96
R	REVISED (ADDED -200)	J70134	K.S.	8/8/97
S	REVISED	J80447	S.K.	11/5/98
T	REVISED (OBSOLETE-111) REVISED (ADDED-010H)	V81445	S.K.	11/13/98
U	REVISED	J90445	M.K.	12/8/99
V	REVISED	J20939	Y.K.	6/10/02
W	REVISED	J03-0307	M.H.	7/16/03
X	REVISED	N05-0208	M.H.	1/27/05
Y	REVISED	N05-0046	M.H.	2/24/05
AA	REVISED	J05-0287	M.H.	5/17/05
AB	REVISED	N05-0279	M.Z.	10/28/05




NOTE
1. THIS PRODUCT MEETS EUROPEAN UNION DIRECTIVES AND OTHER COUNTRY REGULATIONS AS DESCRIBED IN GS-22-008.

92140-xxxH
(OPTIONAL HOLD DOWN)

DF-003A REV.F
DO NOT SCALE PRINT THIS INFORMATION IS CONFIDENTIAL AND IS DISCLOSED TO YOU ON CONDITION THAT NO FURTHER DISCLOSURE IS MADE BY YOU TO OTHER THAN FCI PERSONNEL WITHOUT WRITTEN AUTHORIZATION FROM FCI JAPAN K.K.

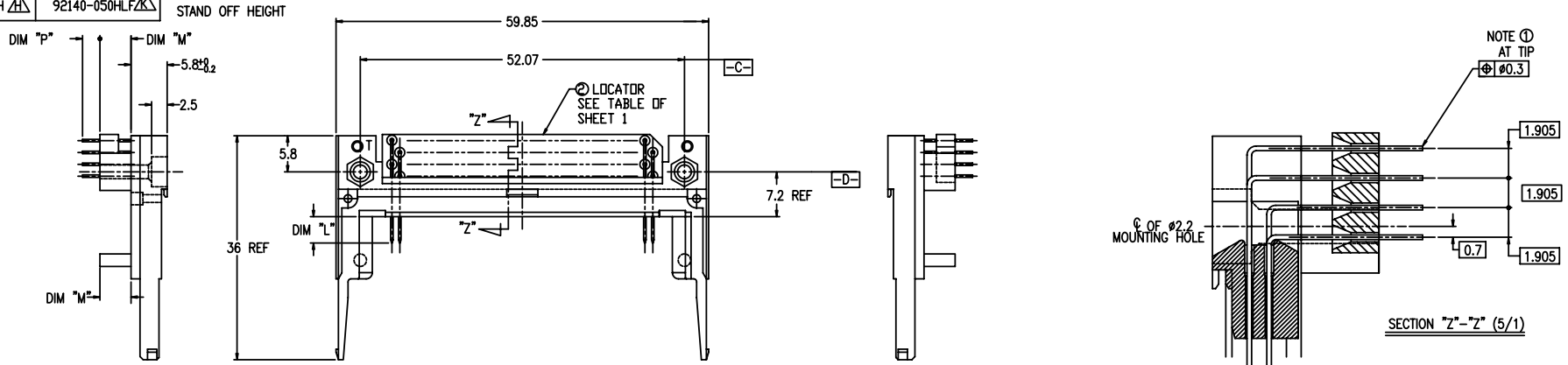
SHEET INDEX	ISSUE	AB	Q	K	F	P	J	G											
SH. NO.	1	2	3	4	5	6	7												
TOLERANCES UNLESS OTHERWISE SPECIFIED		MAT		DATE		CUSTOMER COPY		TITLE											
		---		M.Hasegawa 5/17/05		M.Hasegawa 5/17/05		68 POS EJECTOR HEADER ASSY											
LINEAR		FINISH		THIRD ANGLE PROJ		SCALE		SIZE		DWG. NO.		REV		SHEET					
		---		APPD		UNIT		MM		C		92140		AB		1 of 7			



Header PCMCIA SANF

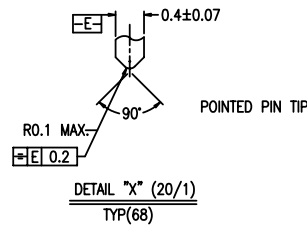
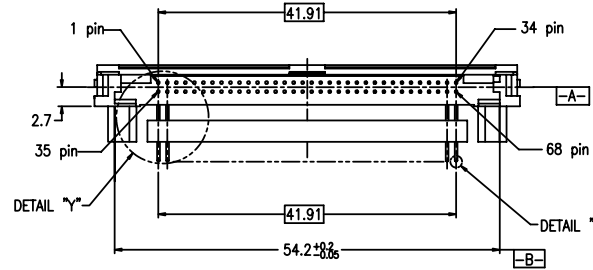
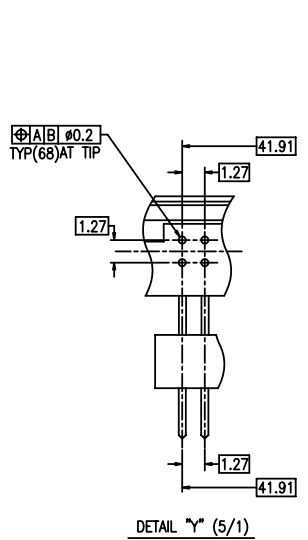
PRODUCT NO.	PRODUCT NO.
92140-010	92140-010LF
92140-010H	92140-010HLF
92140-020	92140-020LF
92140-020H	92140-020HLF
92140-040	92140-040LF
92140-050	92140-050LF
92140-050H	92140-050HLF

REVISIONS				
REV	DESCRIPTION	ECN	BY	DATE
A	RELEASED	J30043	N.T.	2/16/93
B	REVISED	V32221	M.K.	2/28/94
C	REVISED	J40068	M.K.	3/ 2/94
D	REVISED	V40840	M.K.	6/29/94
E	REVISED	J50008	M.K.	2/9/95
F	REVISED	J50039	M.K.	3/1/95
G	REVISED (ADDED-020H)	V70154	K.S.	8/8/97
H	REVISED (ADDED-020H)	J70134	K.S.	8/8/97
J	REVISED (ADDED-010H)	V81446	S.K.	11/13/98
K	REVISED	N05-0046	M.H.	2/24/05



- NOTES
- TRUE POSITION IS A FREE GRID TO PIN PATTERN ITSELF.
 - SEE TA-946 FOR PCB LAYOUT.
 - MATERIAL
HOUSING : LCP UL94V-0 BLACK.
PIN : PHOSPHOR BRONZE.
HOLD-DOWN : BRASS
 - FINISH
PIN UNDER PLATING : 0.5 μ m MIN. Ni.
CONTACT AREA : 0.1 μ m MIN. Au.
OVER 0.5 μ m MIN. Pb-Ni.
SOLDER AREA : 2.5 μ m MIN. Sn-Pb.
OR 2.5 μ m MIN. PURE Sn.(FOR -XXXLF)
HOLD-DOWN : 2.5 μ m MIN. PURE Sn.
 - RECOMMENDED PCB HOLE (OPTIONAL HOLD-DOWN) : 2.3 \pm 0.1
 - SEQUENCE PIN ASSIGNMENT

	DIM "L"		
	4.25 \pm 0.1	3.5 \pm 0.1	5.0 \pm 0.1
PIN No.	OTHERS	36.67	35.51.68



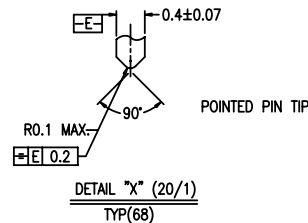
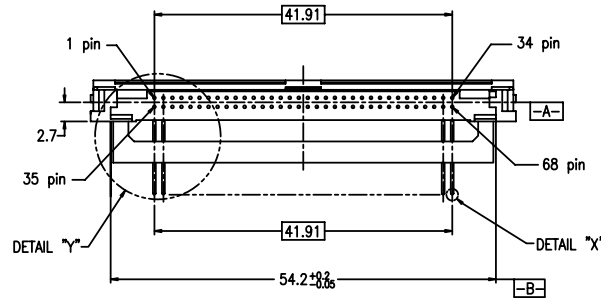
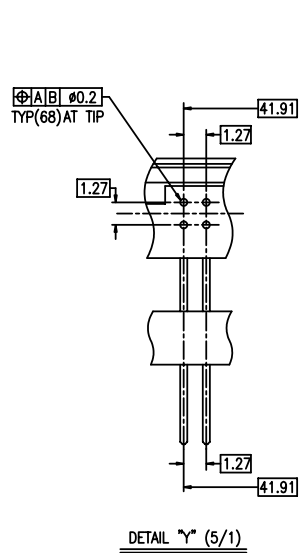
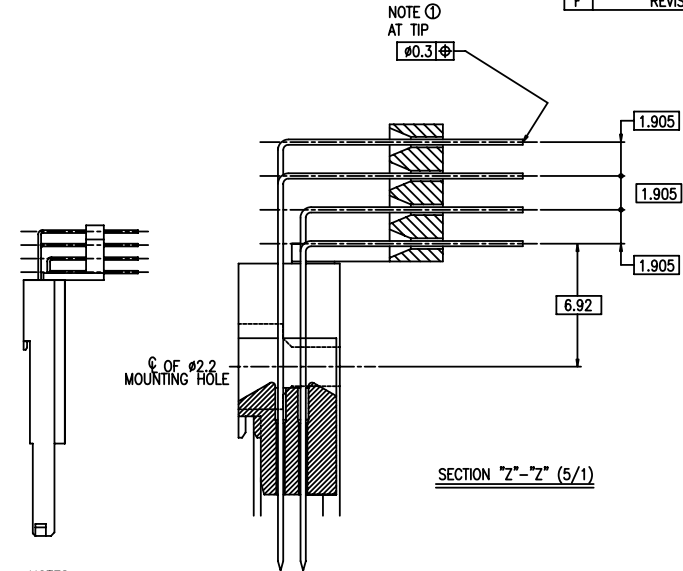
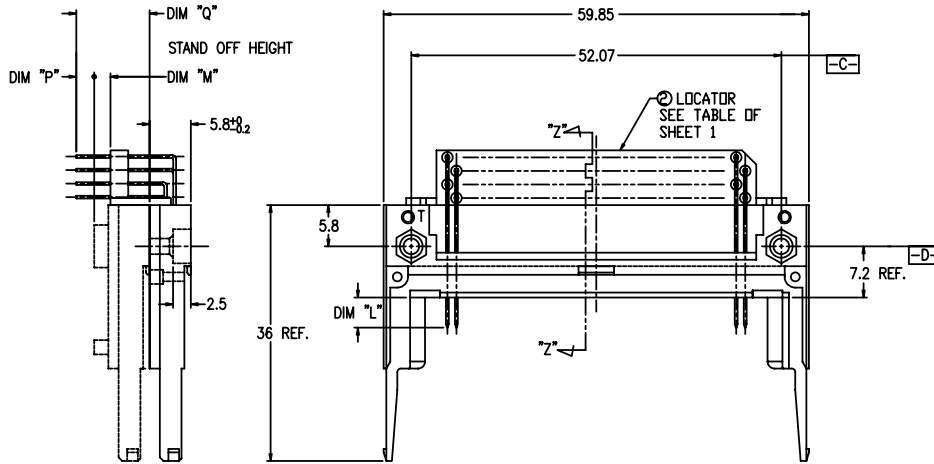
SHEET INDEX	ISSUE		MATERIAL	DR	DATE	CUSTOMER COPY	TITLE
	SH. NO.	REV.					
			SEE NOTE ③	M.Hasegawa	2/24/05		68 POS EJECTOR HEADER ASSY
LINEAR			FINISH SEE NOTE ④	CHK M.Hasegawa	2/24/05		PRODUCT FAMILY Header PCMCIA SANF
ANGLES			APPD				SCALE 2/1

FCI	
CODE JP	REV SHEET
K	3 of

DF-003A REV F
DO NOT SCALE PRINT THIS INFORMATION IS CONFIDENTIAL AND IS DISCLOSED TO YOU ON CONDITION THAT NO FURTHER DISCLOSURE IS MADE BY YOU TO OTHER THAN FCI PERSONNEL WITHOUT WRITTEN AUTHORIZATION FROM FCI JAPAN K.K.

PRODUCT NO.
92140-005
92140-005LF Δ
92140-045
92140-045LF Δ

REVISIONS				
REV	DESCRIPTION	ECN	BY	DATE
A	RELEASED	J30043	N.T.	2/23/93
B	REVISED	V32221	M.K.	2/28/94
C	REVISED	J40068	M.K.	3/ 2/94
D	REVISED	J50008	M.K.	2/ 9/95
E	REVISED	J50039	M.K.	3/ 1/95
F	REVISED	nos-0048	M.K.	2/24/05



NOTES

- TRUE POSITION IS A FREE GRID TO PIN PATTERN ITSELF.
- SEE TA-946 FOR PCB LAYOUT.
- MATERIAL
HOUSING : LCP UL94V-0 BLACK.
PIN : PHOSPHOR BRONZE.
HOLD-DOWN : BRASS
- FINISH
PIN
UNDER PLATING : 0.5μm MIN. Ni.
CONTACT AREA : 0.1μm MIN. Au.
OVER 0.5μm MIN. Pb-Ni.
SOLDER AREA : 2.5μm MIN. Sn-Pb.
OR 2.5μm MIN. PURE Sn.(FOR -XXXLF)
HOLD-DOWN : 2.5μm MIN. PURE Sn.
- RECOMMENDED PCB HOLE (OPTIONAL HOLD-DOWN) : 2.3±0.1
- SEQUENCE PIN ASSIGNMENT

		DIM "L"		
		4.25±0.1	3.5±0.1	5.0±0.1
PIN No.	OTHERS	36.67	1.17,34	35,51,68

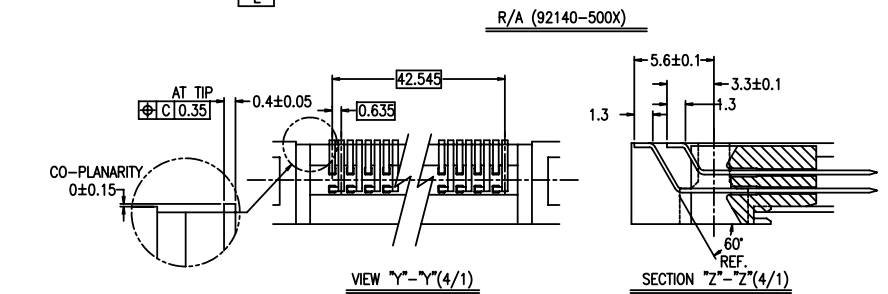
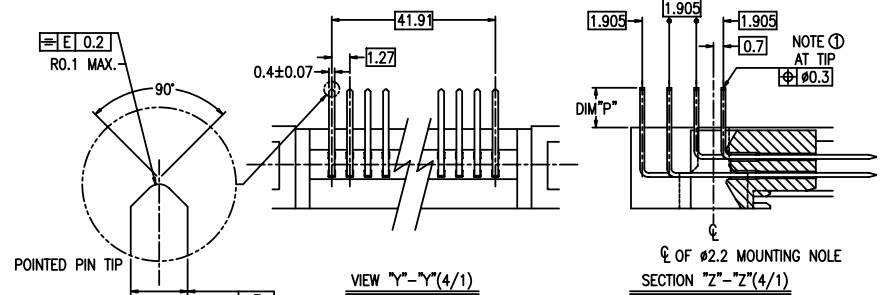
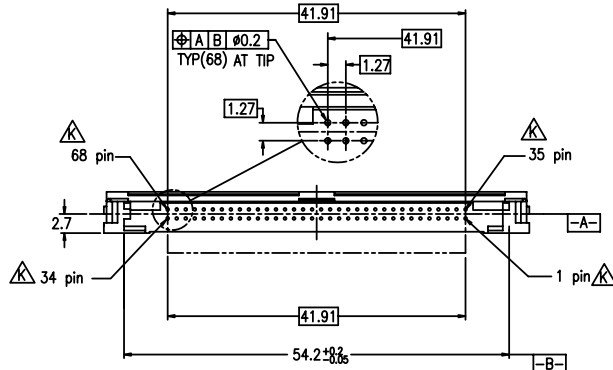
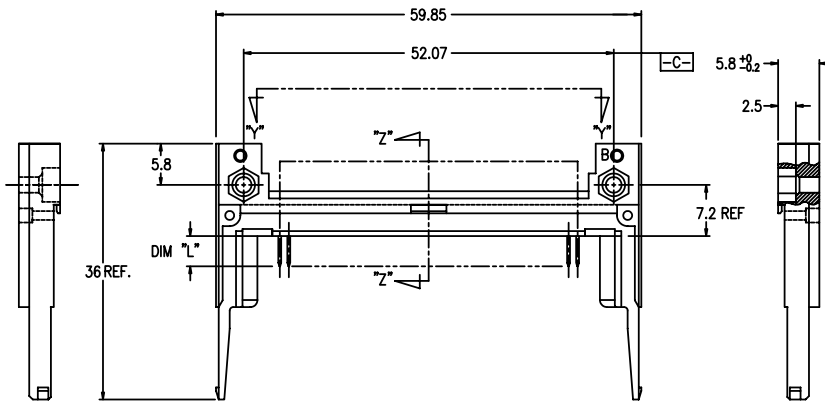
- GENERAL TOLERANCE : ±0.3
- SEE SHEET 1 REGARDING COMPONENTS.
- THIS PRODUCT MEETS EUROPEAN UNION DIRECTIVES AND OTHER COUNTRY REGULATIONS AS DESCRIBED IN GS-22-008

SHEET INDEX	ISSUE												
	SH. NO.												
TOLERANCES UNLESS OTHERWISE SPECIFIED		MAT	DR	DATE	CUSTOMER COPY	TITLE							
		SEE NOTE 3	M.Hasegawa	2/24/05		68 POS EJECTOR HEADER ASSY							
LINEAR		FINISH	CHK			PRODUCT FAMILY							
		SEE NOTE 4	M.Hasegawa	2/24/05		Header PCMCIA SANF							
ANGLES			APPD			SCALE SIZE DWG. NO. REV SHEET							
						2/1 C 92140 F 4/0							



PRODUCT NO.
92140-500
92140-500LF \triangle
92140-500H
92140-500HLF \triangle
92140-501
92140-501LF \triangle
92140-501H
92140-501HLF \triangle
92140-502
92140-502LF \triangle
92140-502H
92140-502HLF \triangle
92140-503 \triangle
92140-503LF \triangle

P	REVISED	N05-0279	M.Z	10/28/05	REVISIONS		
REV	DESCRIPTION	ECN	BY	DATE			
A	RELEASED	J30043	N.T	2/23/93			
B	REVISED	V32221	M.K	2/28/94			
C	REVISED	J40068	M.K	3/ 2/94			
D	REVISED	V40645	M.K	6/24/94			
E	REVISED	J50008	M.K	2/ 9/95			
F	REVISED	J50039	M.K	3/ 1/95			
G	REVISED	J50097	S.K	8/7/96			
H	REVISED	J80447	S.K	11/5/98			
J	REVISED	J90445	M.K	12/8/99			
K	REVISED	V20939	Y.K	6/10/02			
L	REVISED	N05-0020	M.H	1/31/05			
M	REVISED	N05-0046	M.H	2/24/05			
N	REVISED	J05-0287	M.H	5/17/05			



- NOTES
- TRUE POSITION IS A FREE GRID TO PIN PATTERN ITSELF.
 - SEE TA-946 FOR PCB LAYOUT.
 - MATERIAL
HOUSING : LCP UL94V-0 NATURAL.
PIN : PHOSPHOR BRONZE.
HOLD-DOWN : BRASS
 - FINISH PIN
UNDER PLATING : 0.5μm MIN. Ni.
CONTACT AREA : 0.1μm MIN. Au.
OVER : 0.5μm MIN. Pb-Ni.
SOLDER AREA : 2.5μm MIN. Sn-Pb.
OR 2.5μm MIN. PURE Sn.(FOR -XXXLF)
HOLD-DOWN : 2.5μm MIN. PURE Sn.
 - RECOMMENDED PCB HOLE (OPTIONAL HOLD-DOWN) : 2.3±0.1
 - SEQUENCE PIN ASSIGNMENT

		DIM "L"		
		4.25±0.1	3.5±0.1	5.0±0.1
PIN No.	OTHERS	36.67	1,17,34	38,51,68

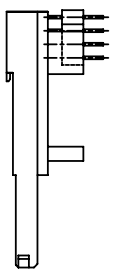
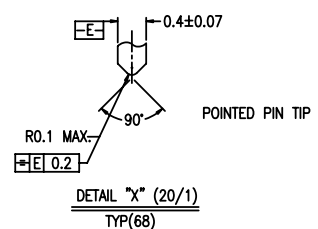
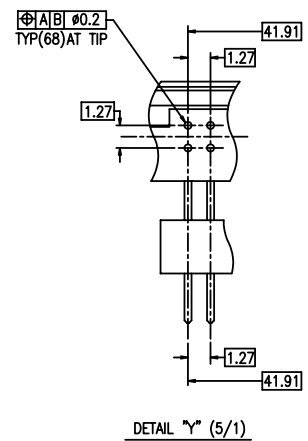
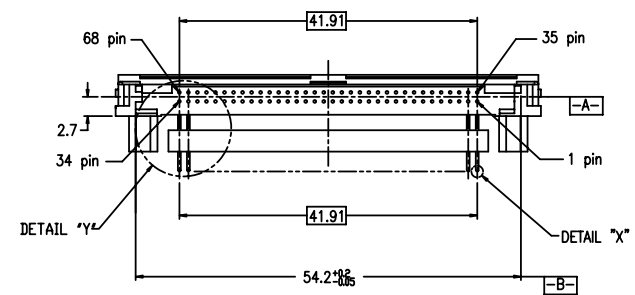
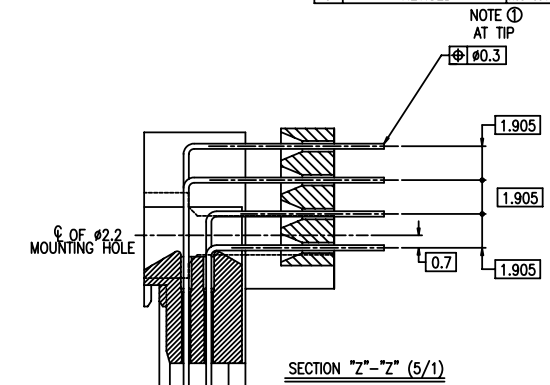
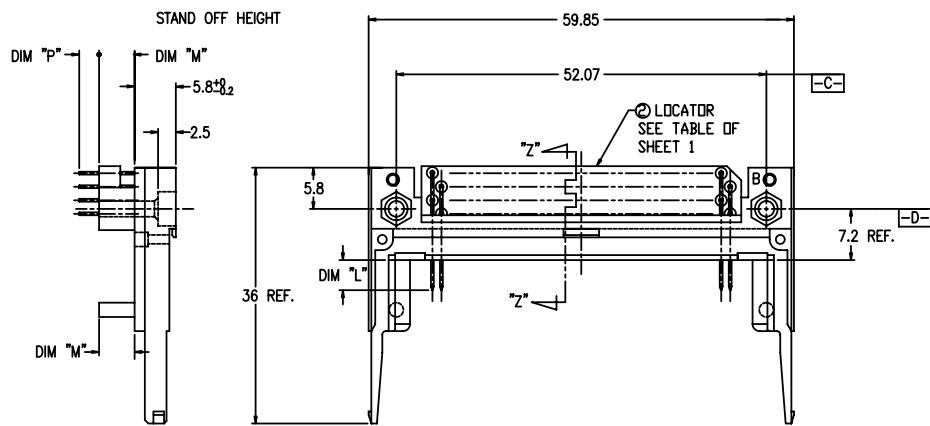
- GENERAL TOLERANCE : ±0.3
- SEE SHEET 1 REGARDING COMPONENTS.
- THIS PRODUCT MEETS EUROPEAN UNION DIRECTIVES AND OTHER COUNTRY REGULATIONS AS DESCRIBED IN GS-22-008

SHEET INDEX	ISSUE				CUSTOMER COPY		TITLE	
	SH. NO.						88P EJECTOR HEADER ASSY	
TOLERANCES UNLESS OTHERWISE SPECIFIED		MAT	DR	DATE	CUSTOMER COPY		TITLE	
		SEE NOTE ①	M.Hasegawa	5/11/05			88P EJECTOR HEADER ASSY	
LINEAR		FINISH	CHK		THIRD ANGLE PROJ		PRODUCT FAMILY	
		SEE NOTE ②	M.Hasegawa	5/11/05			Header PCMCIA SANF	
ANGLES			APPD		UNIT		SCALE	
					MM		2/1 C	
					INCH		DWG. NO. 92140	
					SCALE		REV P	
					1:1		SHEET 5 OF 5	

DO NOT SCALE PRINT THIS INFORMATION IS CONFIDENTIAL AND IS DISCLOSED TO YOU ON CONDITION THAT NO FURTHER DISCLOSURE IS MADE BY YOU TO OTHER THAN FCI PERSONNEL WITHOUT WRITTEN AUTHORIZATION FROM FCI JAPAN K.K.

PRODUCT NO.	
92140-510	92140-510LF Δ
92140-520	92140-520LF Δ
92140-520H Δ	92140-520HLF Δ
92140-530	92140-530LF Δ
92140-540	92140-540LF Δ

REVISIONS				
REV	DESCRIPTION	ECN	BY	DATE
A	RELEASED	J30043	N.T.	2/18/93
B	REVISED	V32220	M.K.	2/16/94
C	REVISED	V32221	M.K.	2/28/94
D	REVISED	J40068	M.K.	3/ 2/94
E	REVISED	V40840	M.K.	7/11/94
F	REVISED	J50006	M.K.	2/ 9/95
G	REVISED	J50039	M.K.	3/ 1/95
H	REVISED	J03-0307	M.H.	7/16/03
J	REVISED	N05-0048	M.H.	2/24/05



- NOTES
- TRUE POSITION IS A FREE GRID TO PIN PATTERN ITSELF.
 - SEE TA-946 FOR PCB LAYOUT.
 - MATERIAL
HOUSING : LCP UL94V-0 NATURAL
PIN : PHOSPHOR BRONZE.
HOLD-DOWN : BRASS
 - FINISH
PIN
UNDER PLATING : 0.5μm MIN. Ni.
CONTACT AREA : 0.1μm MIN. Au.
OVER 0.5μm MIN. Pb-Ni.
SOLDER AREA : 2.5μm MIN. Sn-Pb.
OR 2.5μm MIN. PURE Sn.(FOR -XXXLF)
HOLD-DOWN : 2.5μm MIN. PURE Sn.
 - RECOMMENDED PCB HOLE (OPTIONAL HOLD-DOWN) : 2.3±0.1
 - SEQUENCE PIN ASSIGNMENT

PIN No.	DIM "L"		
	4.25±0.1	3.5±0.1	5.0±0.1
OTHERS	36.67	11734	355188

- GENERAL TOLERANCE : ±0.3
- SEE SHEET 1 REGARDING COMPONENTS.
- THIS PRODUCT MEETS EUROPEAN UNION DIRECTIVES AND OTHER COUNTRY REGULATIONS AS DESCRIBED IN GS-22-008

SHEET INDEX	ISSUE										CUSTOMER COPY	TITLE											
	SH NO.																						
TOLERANCES UNLESS OTHERWISE SPECIFIED	MAT	SEE NOTE C3	DR	M.Hasegawa	DATE	2/24/05					Header	PCMCIA SANF	CODE JP										
LINEAR	FINISH	SEE NOTE C4	CHK	M.Hasegawa	DATE	2/24/05					Header	PCMCIA SANF	CODE JP										
ANGLES	APPD											UNIT	MM	SCALE	2/1	SIZE	C	DWG. NO.	92140	REV	J	SHEET	6 OF

FCI

68P EJECTOR HEADER ASSY

Header PCMCIA SANF

SCALE: 2/1 SIZE: C DWG. NO.: 92140 REV: J SHEET: 6 OF

DF-003A REV F
DO NOT SCALE PRINT THIS INFORMATION IS CONFIDENTIAL AND IS DISCLOSED TO YOU ON CONDITION THAT NO FURTHER DISCLOSURE IS MADE BY YOU TO OTHER THAN FCI PERSONNEL WITHOUT WRITTEN AUTHORIZATION FROM FCI JAPAN K.K.

