



Chipsmall Limited consists of a professional team with an average of over 10 year of expertise in the distribution of electronic components. Based in Hongkong, we have already established firm and mutual-benefit business relationships with customers from,Europe,America and south Asia,supplying obsolete and hard-to-find components to meet their specific needs.

With the principle of “Quality Parts,Customers Priority,Honest Operation,and Considerate Service”,our business mainly focus on the distribution of electronic components. Line cards we deal with include Microchip,ALPS,ROHM,Xilinx,Pulse,ON,Everlight and Freescale. Main products comprise IC,Modules,Potentiometer,IC Socket,Relay,Connector.Our parts cover such applications as commercial,industrial, and automotives areas.

We are looking forward to setting up business relationship with you and hope to provide you with the best service and solution. Let us make a better world for our industry!



## Contact us

Tel: +86-755-8981 8866 Fax: +86-755-8427 6832

Email & Skype: info@chipsmall.com Web: www.chipsmall.com

Address: A1208, Overseas Decoration Building, #122 Zhenhua RD., Futian, Shenzhen, China



FCI CONFIDENTIAL



FCIconnect.com

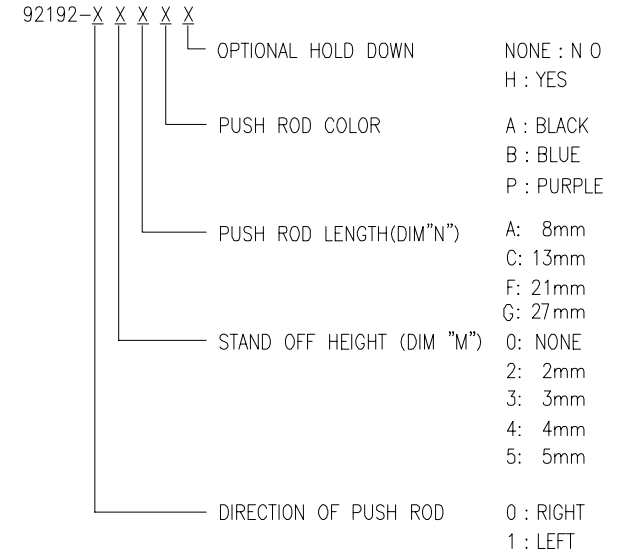
Copyright FCI

RODUCT NO.

92192

PRODUCT NO. 92192-XXXXX	STAND OFF(mm)	DIM "N" (mm)	PUSH ROD COLOR	HOLD DOWN	SHEET NO.
00AA	0	8	BLACK	NONE	NO.2
00AAH	0	8	BLACK	YES	
00CA	0	13	BLACK	NONE	
00CAH	0	13	BLACK	YES	
00CB	0	13	BLUE	NONE	
00CBH	0	13	BLUE	YES	
00CP	0	13	PURPLE	NONE	
00CPH	0	13	PURPLE	YES	
00FA	0	21	BLACK	NONE	
00FAH	0	21	BLACK	YES	
02CA	2	13	BLACK	NONE	NO.3
02CB	2	13	BLUE	NONE	
04CA	4	13	BLACK	NONE	
05CA	5	13	BLACK	NONE	
05CAH	5	13	BLACK	YES	
10AA	0	8	BLACK	NONE	NO.4
10AAH	0	8	BLACK	YES	
10CA	0	13	BLACK	NONE	
10CAH	0	13	BLACK	YES	
10CB	0	13	BLUE	NONE	
10CBH	0	13	BLUE	YES	
10CP	0	13	PURPLE	NONE	
10CPH	0	13	PURPLE	YES	
10FA	0	21	BLACK	NONE	
10FAH	0	21	BLACK	YES	
12CA	2	13	BLACK	NONE	NO.5
12CAH	2	13	BLACK	YES	
12CB	2	13	BLUE	NONE	
12FA	2	21	BLACK	NONE	
13CA	3	13	BLACK	NONE	
13CAH	3	13	BLACK	YES	
14CA	4	13	BLACK	NONE	
15CA	5	13	BLACK	NONE	

PRODUCT NO. 92192-XXXXX	STAND OFF(mm)	DIM "N" (mm)	PUSH ROD COLOR	HOLD DOWN	SHEET NO.
00AALF	0	8	BLACK	NONE	NO.2
00AAHLF	0	8	BLACK	YES	
00CALF	0	13	BLACK	NONE	
00CAHLF	0	13	BLACK	YES	
00CBLF	0	13	BLUE	NONE	
00CBHLF	0	13	BLUE	YES	
00CPLF	0	13	PURPLE	NONE	
00CPHLF	0	13	PURPLE	YES	
00FALF	0	21	BLACK	NONE	
00FAHLF	0	21	BLACK	YES	
02CALF	2	13	BLACK	NONE	NO.3
02CBLF	2	13	BLUE	NONE	
04CALF	4	13	BLACK	NONE	
05CALF	5	13	BLACK	NONE	
05CAHLF	5	13	BLACK	YES	
10AALF	0	8	BLACK	NONE	NO.4
10AAHLF	0	8	BLACK	YES	
10CALF	0	13	BLACK	NONE	
10GALF	0	27	BLACK	NONE	
10CAHLF	0	13	BLACK	YES	
10CBLF	0	13	BLUE	NONE	
10CBHLF	0	13	BLUE	YES	
10CPLF	0	13	PURPLE	NONE	
10CPHLF	0	13	PURPLE	YES	
10FALF	0	21	BLACK	NONE	
10FAHLF	0	21	BLACK	YES	NO.5
12CALF	2	13	BLACK	NONE	
12CAHLF	2	13	BLACK	YES	
12GALF	2	27	BLACK	NONE	
12CBLF	2	13	BLUE	NONE	
12FALF	2	21	BLACK	NONE	
13CALF	3	13	BLACK	NONE	
13CAHLF	3	13	BLACK	YES	
14CALF	4	13	BLACK	NONE	
15CALF	5	13	BLACK	NONE	



mat'l. code		surface		tolerance		projection		product family	
ltr		ecn no		date		tolerances unless otherwise specified		PCMCIA	
P	ELX-N-20919	J.H	05/27/15	angles		linear		title	
				±2'		±0.30		68P EJECTOR HEADER TYPE I/II/III MECHANISM ASS'Y	
				dr		M.KAJIURA		7/22/99	
				enr		M.KAJIURA		7/22/99	
				chr		M.KAJIURA		7/22/99	
				appd		M.KAJIURA		7/22/99	
sheet index		revision sheet		scale		MM		dwg no	
								sheet 1 of 5 size	
								92192 A4	
								type CUSTOMER Drawing	

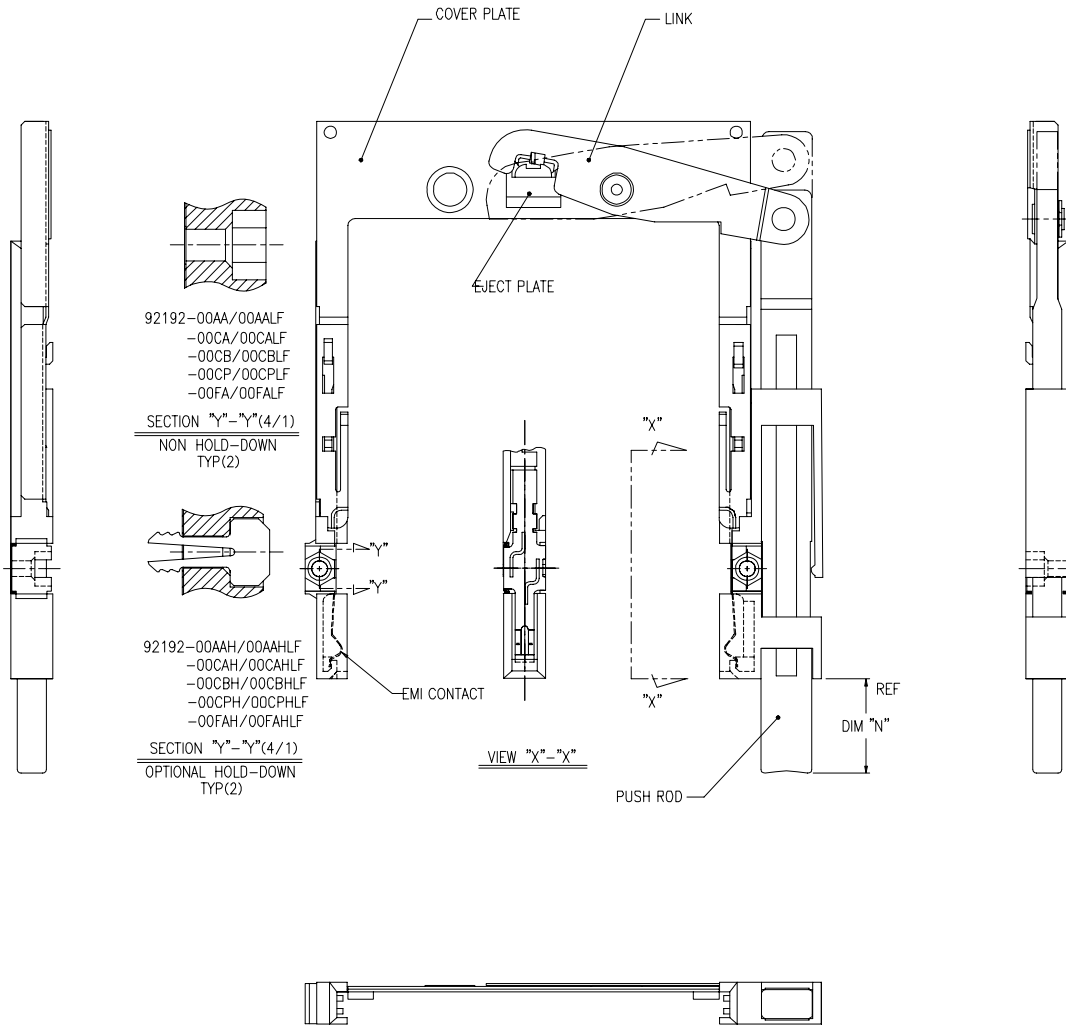
FCI CONFIDENTIAL



FCIconnect.com

Copyright FCI

ODUCT NO.
192-00AA/00AALF
192-00AAH/00AAHLF
192-00CA/00CALF
192-00CAH/00CAHLF
192-00CB/00CBLF
192-00CBH/00CBHLF
192-00CP/00CPLF
92192-00CPH/00CPHLF
92192-00FA/00FALF
92192-00FAH/00FAHLF



NOTE

- EJECT PLATE MOVE ALONG INSIDE WALL OF COVER PLATE SMOOTHLY AFTER ASSEMBLING WITH HDR ASSY.
- MATERIAL
  - GUIDE : POLYPHTHARAMID UL94V-0 BLACK
  - PUSH ROD : FLAME RETARDANT UL94V-0 BLACK/BLUE
  - PLATE : STAINLESS
  - EMI CONTACT : PHOSPHOR BRONZE
  - HOLD-DOWN : BRASS
- FINISH
  - EMI CONTACT UNDER PLATING : 2.0um MIN. Ni
  - CONTACT AREA : 0.5um MIN. Au
- RECOMMENDED PCB HOLE (OPTIONAL HOLD-DOWN) : 2.3±0.1

mat'l. code		surface		tolerance		projection		product family	
ltr		ecn no		dr		date		PCMCIA	
P								title	
		angles		linear		±0.30		68P EJECTOR HEADER TYPE I/II/III MECHANISM ASS'Y	
		±2'				MM		scale	
		dr		M.KAJIURA		7/22/99		dwg no	
		enr		M.KAJIURA		7/22/99		sheet 2 of 5	
		chr		M.KAJIURA		7/22/99		92192	
		appd		M.KAJIURA		7/22/99		A4	
sheet		revision						type	
index		sheet						CUSTOMER Drawing	



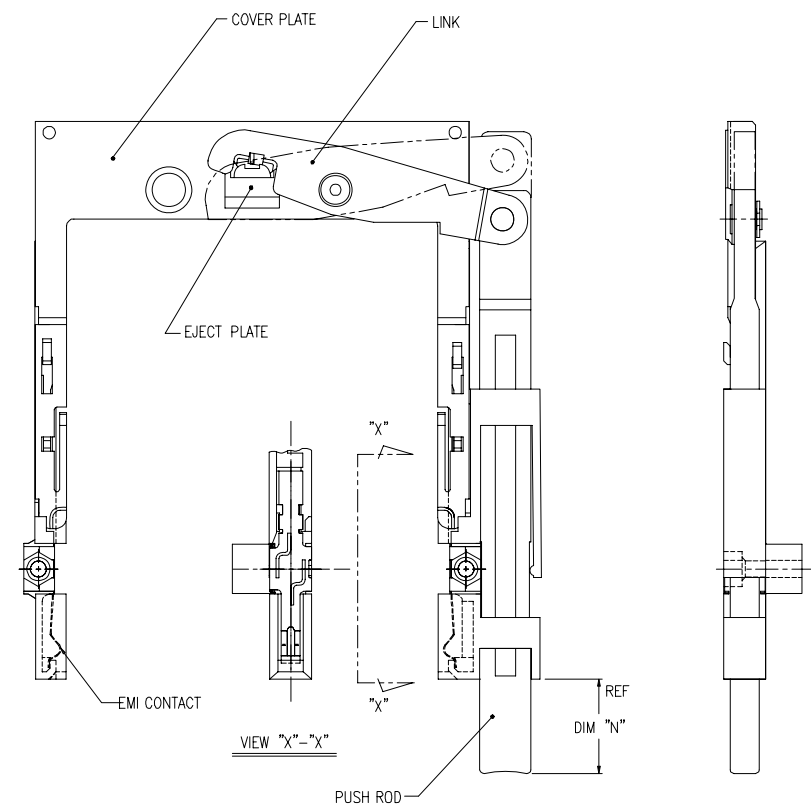
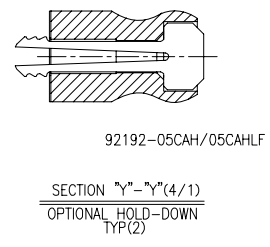
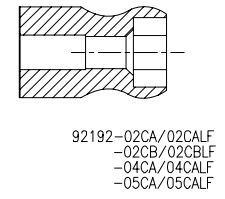
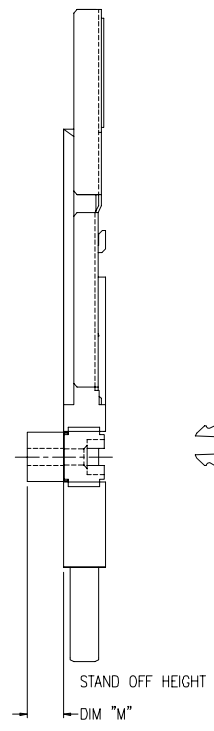
FCI CONFIDENTIAL



FCIconnect.com

Copyright FCI

PRODUCT NO.
92192-02CA/02CALF
92192-02CB/02CBLF
92192-04CA/04CALF
92192-05CA/05CALF
92192-05CAH/05CAHLF



NOTE

1. EJECT PLATE MOVE ALONG INSIDE WALL OF COVER PLATE SMOOTHLY AFTER ASSEMBLING WITH HDR ASSY.

② MATERIAL

- GUIDE : POLYPHTHARAMID UL94V-0 BLACK
- PUSH ROD : FLAME RETARDANT UL94V-0 BLACK
- PLATE : STAINLESS
- EMI CONTACT : PHOSPHOR BRONZE
- STAND OFF : ZINC ALLOYS DIE CASTING

③ FINISH

- EMI CONTACT
- UNDER PLATING : 2.0µm MIN. Ni
- CONTACT AREA : 0.5µm MIN. Au
- STAND OFF : 3~5µm Ni OVER 5~10µm Cu.

mat'l. code		surface		tolerance		projection		product family	
ltr		ecn no		dr		date		PCMCIA	
P								title	
				angles		linear		68P EJECTOR HEADER TYPE I/II/III MECHANISM ASS'Y	
				±2'		±0.30		MM	
				dr		M.KAJIURA		7/22/99	
				enr		M.KAJIURA		7/22/99	
				chr		M.KAJIURA		7/22/99	
				appd		M.KAJIURA		7/22/99	
sheet		revision						scale	
index		sheet						FCI	
								dwg no	
								sheet 3 of 5	
								size	
								92192	
								A4	
								type	
								CUSTOMER	
								Drawing	



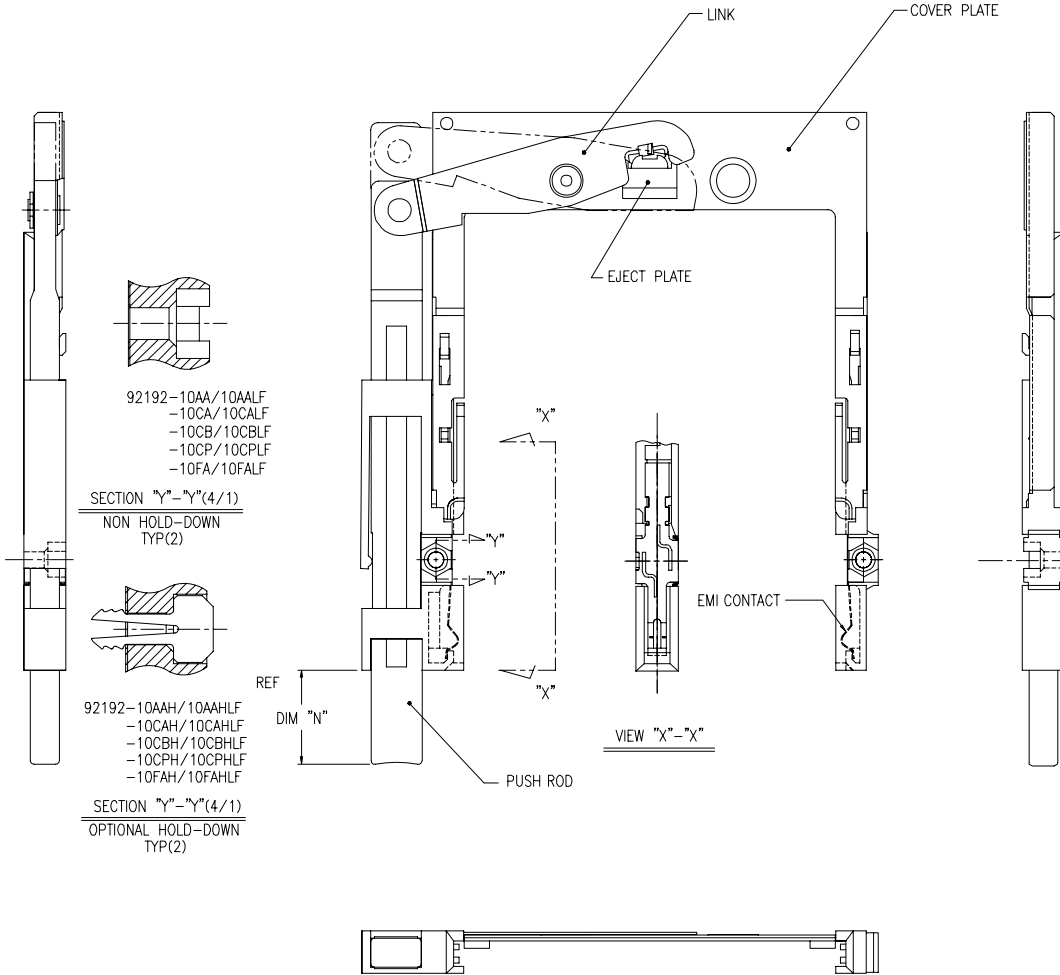
FCI CONFIDENTIAL



FCIconnect.com

Copyright FCI

PRODUCT NO.
92192-10AA/10AALF
92192-10AAH/10AAHLF
92192-10CA/10CALF
92192-10CAH/10CAHLF
92192-10CB/10CBLF
92192-10CBH/10CBHLF
92192-10CP/10CPLF
92192-10CPH/10CPHLF
92192-10FA/10FALF
92192-10FAH/10FAHLF
92192-10GALF



NOTE

- EJECT PLATE MOVE ALONG INSIDE WALL OF COVER PLATE SMOOTHLY AFTER ASSEMBLING WITH HDR ASSY.
- MATERIAL
  - GUIDE : POLYPHTHARAMID UL94V-0 BLACK
  - PUSH ROD : FLAME RETARDANT UL94V-0 BLACK/BLUE
  - PLATE : STAINLESS
  - EMI CONTACT : PHOSPHOR BRONZE
  - HOLD-DOWN : BRASS
- FINISH
  - EMI CONTACT UNDER PLATING : 2.0 $\mu$ m MIN. Ni
  - CONTACT AREA : 0.5 $\mu$ m MIN. Au
- RECOMMENDED PCB HOLE (OPTIONAL HOLD-DOWN) : 2.3 $\pm$ 0.1

mat'l. code		surface		tolerance		projection		product family	
ltr		ecn no		dr		date		PCMCIA	
P				tolerances unless otherwise specified		$\pm$ 0.30 $\pm$ 2'		title	
				angles		linear		68P EJECTOR HEADER TYPE I/II/III MECHANISM ASS'Y	
				dr		M.KAJIURA		7/22/99	
				engr		M.KAJIURA		7/22/99	
				chr		M.KAJIURA		7/22/99	
				appd		M.KAJIURA		7/22/99	
sheet index		revision sheet							
								dwg no 92192 sheet 4 of 5 size A4 type CUSTOMER Drawing	

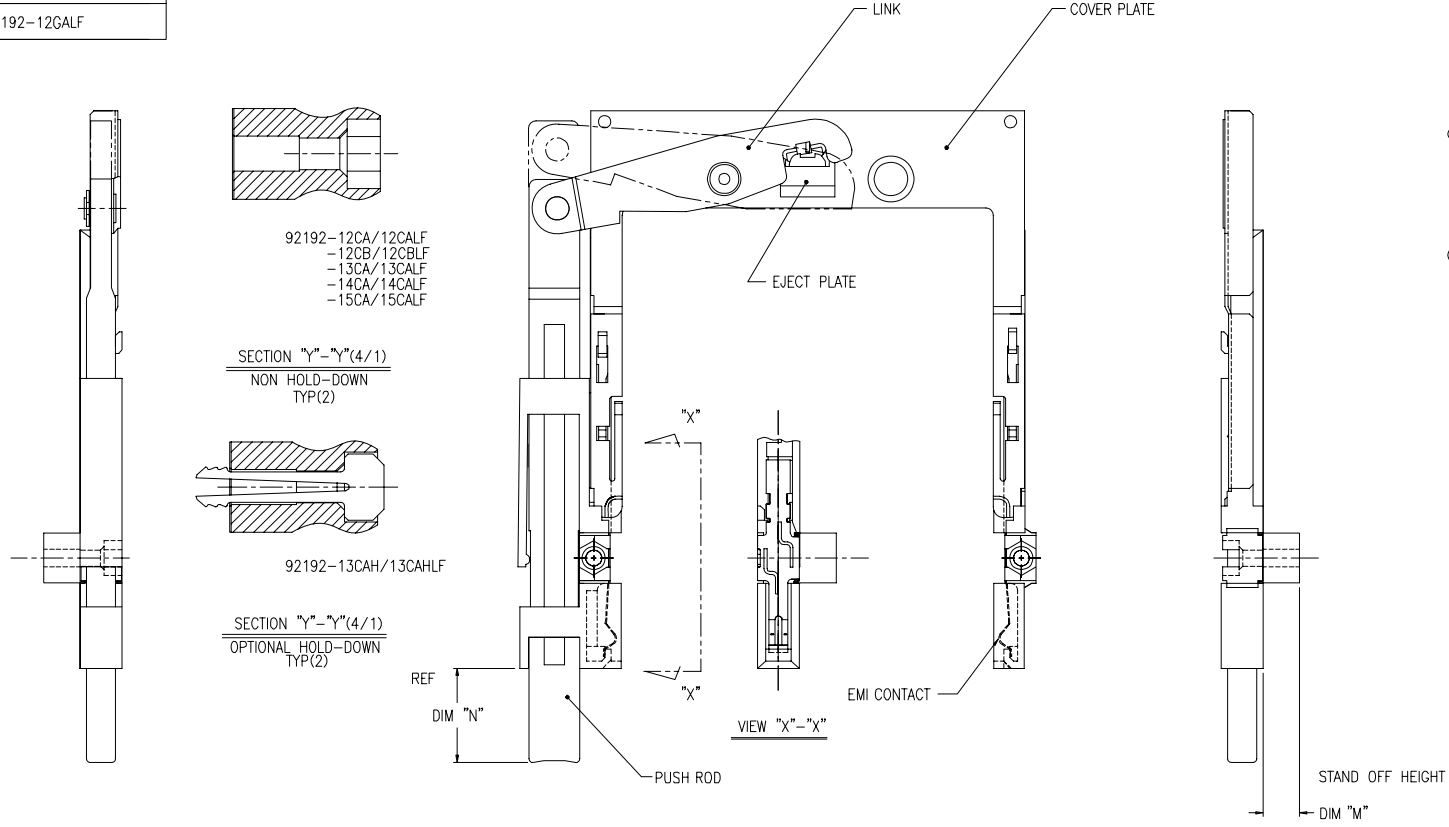
FCI CONFIDENTIAL



FCIconnect.com

Copyright FCI

PRODUCT NO.
92192-12CAH/12CAHLF
92192-12CB/12CBLF
92192-12FA/12FALF
92192-13CA/13CALF
92192-13CAH/12CAHLF
92192-14CA/14CALF
92192-15CA/15CALF
92192-12GALF



NOTE

1. EJECT PLATE MOVE ALONG INSIDE WALL OF COVER PLATE SMOOTHLY AFTER ASSEMBLING WITH HDR ASSY.

② MATERIAL

GUIDE : POLYPHTHARAMID UL94V-0 BLACK  
 PUSH ROD : FLAME RETARDANT UL94V-0 BLACK  
 PLATE : STAINLESS  
 EMI CONTACT : PHOSPHOR BRONZE  
 STAND OFF : ZINC ALLOYS DIE CASTING

③ FINISH

EMI CONTACT  
 UNDER PLATING : 2.0 $\mu$ m MIN. Ni  
 CONTACT AREA : 0.5 $\mu$ m MIN. Au  
 STAND OFF : 3~5 $\mu$ m Ni OVER 5~10 $\mu$ m Cu.

mat'l. code		surface		tolerance		projection		product family	
ltr		ecn no		dr		date		PCMCIA	
P								title	
				angles		linear		68P EJECTOR HEADER TYPE I/II/III MECHANISM ASS'Y	
				±2'		±0.30		MM	
								scale	
				dr		M.KAJIURA		7/22/99	
				enr		M.KAJIURA		7/22/99	
				chr		M.KAJIURA		7/22/99	
				appd		M.KAJIURA		7/22/99	
sheet index		revision sheet						FCI	
								dwg no	
								sheet 5 of 5	
								size	
								92192	
								A4	
								type	
								CUSTOMER	
								Drawing	