



Chipsmall Limited consists of a professional team with an average of over 10 year of expertise in the distribution of electronic components. Based in Hongkong, we have already established firm and mutual-benefit business relationships with customers from,Europe,America and south Asia,supplying obsolete and hard-to-find components to meet their specific needs.

With the principle of "Quality Parts,Customers Priority,Honest Operation,and Considerate Service",our business mainly focus on the distribution of electronic components. Line cards we deal with include Microchip,ALPS,ROHM,Xilinx,Pulse,ON,Everlight and Freescale. Main products comprise IC,Modules,Potentiometer,IC Socket,Relay,Connector.Our parts cover such applications as commercial,industrial, and automotives areas.

We are looking forward to setting up business relationship with you and hope to provide you with the best service and solution. Let us make a better world for our industry!



Contact us

Tel: +86-755-8981 8866 Fax: +86-755-8427 6832

Email & Skype: info@chipsmall.com Web: www.chipsmall.com

Address: A1208, Overseas Decoration Building, #122 Zhenhua RD., Futian, Shenzhen, China



PRODUCT NO.
92193

REVISIONS			
REV	DESCRIPTION	ECN	BY DATE
V	CORRECT WRONG DRAWING	N08-0163	SH 6/3/09
B	REVISED	J30128	M.K 4/27/94
C	REVISED	J40163	M.K 5/28/94
D	REVISED	V40740	M.K 6/24/94
E	REVISED	V40840	M.K 7/5/94
F	REVISED	J40198	M.K 7/19/94
G	REVISED	V32120	M.K 12/27/94
H	REVISED	J40349	M.K 1/20/95
J	REVISED	J50242	M.K 9/18/95
K	REVISED	V60956	M.K 7/29/96
L	REVISED/ADDED-050CAH -130CA -130CAH	J70134	K.S 8/8/97
M	REVISED	N90078	M.K 7/22/99
N	REVISED (ADDED-502FA)	V91593	M.K 11/11/99
P	REVISED	J05-0198	M.H 4/4/05
R	REVISED	V04-0820	M.H 4/25/05

PRODUCT NO. *92193-XXXXX	STAND OFF(mm)	DIM "N" (mm)	PUSH ROD COLOR	HDR SOLDER TAIL	HOLD DOWN	MECH ASSY 92192-XXXXX	HDR ASSY 92140-XXXX	DIM "P" (mm)	HDR COLOR	SHEET NO.	MOUNT STYLE TO PCB & DIRECTION OF PUSH ROD
000AA	0	8	BLACK	R/A	NONE	00AA	000	2.8			
000CA	0	13	BLACK	R/A	NONE	00CA	000	2.8			
000CAH	0	13	BLACK	R/A	YES	00CAH	000H	2.8			
000CB	0	13	BLUE	R/A	NONE	00CB	000	2.8			
000CBH	0	13	BLUE	R/A	YES	00CBH	000H	2.8			
000FA	0	21	BLACK	R/A	YES	00FA	000	2.8			
001AA	0	8	BLACK	SMT STAGGERED	NONE	00AA	001	--	BLACK	NO.2	TOP MOUNT TO PCB & RIGHT PUSH ROD
001AAH	0	8	BLACK	SMT STAGGERED	YES	00AAH	001H	--			
001CA	0	13	BLACK	SMT STAGGERED	NONE	00CA	001	--			
001CAH	0	13	BLACK	SMT STAGGERED	YES	00CAH	001H	--			
001FA	0	21	BLACK	SMT STAGGERED	NONE	00FA	001	--			
001FAH	0	21	BLACK	SMT STAGGERED	YES	00FAH	001H	--			
002CA	0	13	BLACK	SMT IN LINE	NONE	00CA	002	--			
002CAH	0	13	BLACK	SMT IN LINE	YES	00CAH	002H	--			
020CA	2	13	BLACK	R/A	NONE	02CA	040	2.5	BLACK	NO.3	
040CA	4	13	BLACK	R/A	NONE	04CA	010	2.8			
050CA	5	13	BLACK	R/A	NONE	05CA	020	2.8			
050CAH	5	13	BLACK	R/A	YES	05CAH	020H	2.8			
100CA	0	13	BLACK	R/A	NONE	10CA	000	2.8			
100CAH	0	13	BLACK	R/A	YES	10CAH	000H	2.8			
101CA	0	13	BLACK	SMT STAGGERED	NONE	10CA	001	--	BLACK	NO.4	TOP MOUNT TO PCB & LEFT PUSH ROD
101CAH	0	13	BLACK	SMT STAGGERED	YES	10CAH	001H	--			
101FA	0	21	BLACK	SMT STAGGERED	NONE	10FA	001	--			
101FAH	0	21	BLACK	SMT STAGGERED	YES	10FAH	001H	--			
102CA	0	13	BLACK	SMT IN LINE	NONE	10CA	002	--			
102CAH	0	13	BLACK	SMT IN LINE	YES	10CAH	002H	--			
120CA	2	13	BLACK	R/A	NONE	12CA	040	2.5			
120FA	2	21	BLACK	R/A	NONE	12FA	040	2.5			
130CA	3	13	BLACK	R/A	NONE	13CA	050	2.8	BLACK	NO.5	
130CAH	3	13	BLACK	R/A	YES	13CAH	050H	2.8			
140CA	4	13	BLACK	R/A	NONE	14CA	010	2.8			
150CA	5	13	BLACK	R/A	NONE	15CA	020	2.8			
500CA	0	13	BLACK	R/A	NONE	10CA	500	2.8			
500CAH	0	13	BLACK	R/A	YES	10CAH	500H	2.8			
500FA	0	21	BLACK	R/A	NONE	10FA	500	2.8			
501CA	0	13	BLACK	SMT STAGGERED	NONE	10CA	501	--	NATURAL	NO.6	BOTTOM MOUNT TO PCB & RIGHT PUSH ROD
501CAH	0	13	BLACK	SMT STAGGERED	YES	10CAH	501H	--			
502CA	0	13	BLACK	SMT IN LINE	NONE	10CA	502	--			
502CAH	0	13	BLACK	SMT IN LINE	YES	10CAH	502H	--			
502FA	0	21	BLACK	SMT IN LINE	NONE	10FA	502	--			
520CA	2	13	BLACK	R/A	NONE	12CA	540	2.5	NATURAL	NO.7	
540CA	4	13	BLACK	R/A	NONE	14CA	510	2.8			
550CA	5	13	BLACK	R/A	NONE	15CA	520	2.8			
600CA	0	13	BLACK	R/A	NONE	00CA	500	2.8			
600CAH	0	13	BLACK	R/A	YES	00CAH	500H	2.8			
601CA	0	13	BLACK	SMT STAGGERED	NONE	00CA	501	--	NATURAL	NO.8	BOTTOM MOUNT TO PCB & LEFT PUSH ROD
601CAH	0	13	BLACK	SMT STAGGERED	YES	00CAH	501H	--			
602CA	0	13	BLACK	SMT IN LINE	NONE	00CA	502	--			
602CAH	0	13	BLACK	SMT IN LINE	YES	00CAH	502H	--			
620CA	2	13	BLACK	R/A	NONE	02CA	540	2.5	NATURAL	NO.9	
640CA	4	13	BLACK	R/A	NONE	04CA	510	2.8			
650CA	5	13	BLACK	R/A	NONE	05CA	520	2.8			

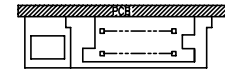
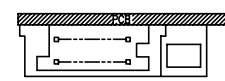
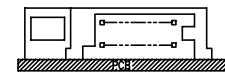
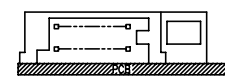
△

△

△

△

△



* 92193-X X X X X X X X

OPTIONAL LEAD FREE NONE : N □
LF : YES (SEE NOTE 1)

OPTIONAL HOLD DOWN NONE : N □
H : YES

PUSH ROD COLOR A : BLACK
B : BLUE

PUSH ROD LENGTH (DIM "N") A : 8mm
C : 13mm
F : 21mm

HDR SOLDER TAIL 0 : R/A
1 : SMT STAGGERED
2 : SMT IN LINE

STAND OFF HEIGHT (DIM "M") 0 : 0mm(NONE)
2 : 2mm
3 : 3mm
4 : 4mm
5 : 5mm

MOUNT STYLE TO PCB & DIRECTION OF PUSH ROD 0 : TOP MOUNT & RIGHT PUSH ROD
1 : TOP MOUNT & LEFT PUSH ROD
5 : BOTTOM MOUNT & RIGHT PUSH ROD
6 : BOTTOM MOUNT & LEFT PUSH ROD

"W"

TYP.(4)

HOLD DOWN

SECTION "W"-"W"

92193-xxxH
(OPTIONAL HOLD DOWN)

NOTE
1. THIS PRODUCT MEETS EUROPEAN UNION DIRECTIVES AND OTHER COUNTRY REGULATIONS AS DESCRIBED IN GS-22-008.

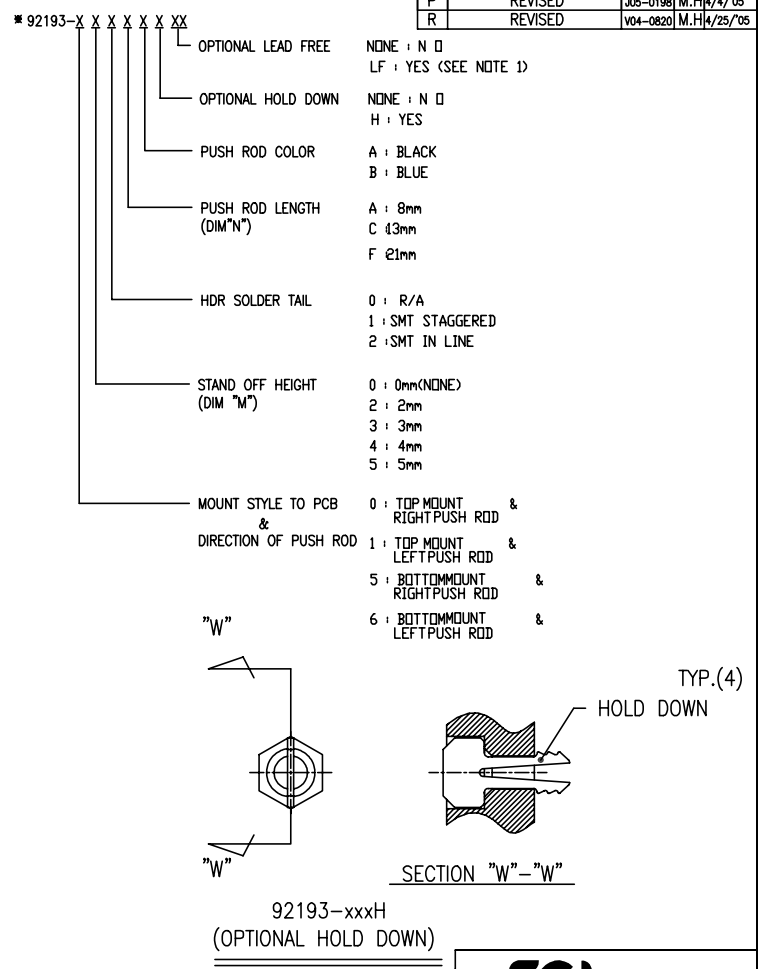
SHEET INDEX	ISSUE	SH NO.	MAT	DR. Hasegawa	DATE 4/25/05	CUSTOMER COPY	TITLE 68P EJECTOR HEADER ASSY FOR TYPE I/II/III (FOR 5.0V)
LINEAR	TOLERANCES UNLESS OTHERWISE SPECIFIED		FINISH	CHK Hasegawa	DATE 4/25/05	THIRD ANGLE PROJ	PRODUCT FAMILY SANF Header PCMCIA
ANGLES				APPD		SCALE	SIZE DWG. NO. 92193
						UNIT	REV SHEET V 1 of 10



PRODUCT NO.
92193

REVISIONS			
REV	DESCRIPTION	ECN	BY DATE
A	CORRECT WRONG DRAWING	N09-0163	SH 6/3/09
B	REVISED	J30128	M.K 4/27/94
C	REVISED	J40163	M.K 5/28/94
D	REVISED	V40740	M.K 6/24/94
E	REVISED	V40840	M.K 7/5/94
F	REVISED	J40198	M.K 7/19/94
G	REVISED	V32120	M.K 12/27/94
H	REVISED	J40349	M.K 1/20/95
J	REVISED	J50242	M.K 9/18/95
K	REVISED	V60956	M.K 7/29/96
L	REVISED/ADDED-050CAH -130CA -130CAH	J70134	K.S 8/8/97
M	REVISED	N90076	M.K 7/22/99
N	REVISED (ADDED-502FA)	V91593	M.K 11/11/99
P	REVISED	J05-0198	M.H 4/4/05
R	REVISED	V04-0820	M.H 4/25/05

PRODUCT NO. *92193-XXXXX	STAND OFF(mm)	DIM "N" (mm)	PUSH ROD COLOR	HDR SOLDER TAIL	HOLD DOWN	MECH ASSY 92192-XXXXX	HDR ASSY 92140-XXXXX	DIM "P" (mm)	HDR COLOR	SHEET NO.	MOUNT STYLE TO PCB & DIRECTION OF PUSH ROD
000AALF	0	8	BLACK	R/A	NONE	00AA	000LF	2.8			
000CALF	0	13	BLACK	R/A	NONE	00CA	000LF	2.8			
000CAHLF	0	13	BLACK	R/A	YES	00CAH	000HLF	2.8			
000CBLF	0	13	BLUE	R/A	NONE	00CB	000LF	2.8			
000CBHLF	0	13	BLUE	R/A	YES	00CBH	000HLF	2.8			
000FALF	0	21	BLACK	R/A	YES	00FA	000LF	2.8			
001AA	0	8	BLACK	SMT STAGGERED	NONE	00AA	001	--	BLACK	NO.2	TOP MOUNT TO PCB & RIGHT PUSH ROD
001AAH	0	8	BLACK	SMT STAGGERED	YES	00AAH	001H	--			
001CA	0	13	BLACK	SMT STAGGERED	NONE	00CA	001	--			
001CAH	0	13	BLACK	SMT STAGGERED	YES	00CAH	001H	--			
001FA	0	21	BLACK	SMT STAGGERED	NONE	00FA	001	--			
001FAH	0	21	BLACK	SMT STAGGERED	YES	00FAH	001H	--			
002CA	0	13	BLACK	SMT IN LINE	NONE	00CA	002	--			
002CAH	0	13	BLACK	SMT IN LINE	YES	00CAH	002H	--			
020CALF	2	13	BLACK	R/A	NONE	02CA	040LF	2.5	BLACK	NO.3	
040CALF	4	13	BLACK	R/A	NONE	04CA	010LF	2.8			
050CALF	5	13	BLACK	R/A	NONE	05CA	020LF	2.8			
050CAHLF	5	13	BLACK	R/A	YES	05CAH	020HLF	2.8			
100CALF	0	13	BLACK	R/A	NONE	10CA	000LF	2.8			
100CAHLF	0	13	BLACK	R/A	YES	10CAH	000HLF	2.8			
101CA	0	13	BLACK	SMT STAGGERED	NONE	10CA	001	--	BLACK	NO.4	TOP MOUNT TO PCB & LEFT PUSH ROD
101CAH	0	13	BLACK	SMT STAGGERED	YES	10CAH	001H	--			
101FA	0	21	BLACK	SMT STAGGERED	NONE	10FA	001	--			
101FAH	0	21	BLACK	SMT STAGGERED	YES	10FAH	001H	--			
102CA	0	13	BLACK	SMT IN LINE	NONE	10CA	002	--			
102CAH	0	13	BLACK	SMT IN LINE	YES	10CAH	002H	--			
120CALF	2	13	BLACK	R/A	NONE	12CA	040LF	2.5	BLACK	NO.5	
120CAHLF	2	13	BLACK	R/A	YES	12CAH	040HLF	2.5			
120FALF	2	21	BLACK	R/A	NONE	12FA	040LF	2.5			
130CALF	3	13	BLACK	R/A	NONE	13CA	050LF	2.8			
130CAHLF	3	13	BLACK	R/A	YES	13CAH	050HLF	2.8			
140CALF	4	13	BLACK	R/A	NONE	14CA	010LF	2.8			
150CALF	5	13	BLACK	R/A	NONE	15CA	020LF	2.8			
500CALF	0	13	BLACK	R/A	NONE	10CA	500LF	2.8			
500CAHLF	0	13	BLACK	R/A	YES	10CAH	500HLF	2.8			
500FALF	0	21	BLACK	R/A	NONE	10FA	500LF	2.8			
501CA	0	13	BLACK	SMT STAGGERED	NONE	10CA	501	--	NATURAL	NO.6	BOTTOM MOUNT TO PCB & RIGHT PUSH ROD
501CAH	0	13	BLACK	SMT STAGGERED	YES	10CAH	501H	--			
502CA	0	13	BLACK	SMT IN LINE	NONE	10CA	502	--			
502CAH	0	13	BLACK	SMT IN LINE	YES	10CAH	502H	--			
502FA	0	21	BLACK	SMT IN LINE	NONE	10FA	502	--			
520CALF	2	13	BLACK	R/A	NONE	12CA	540LF	2.5	NATURAL	NO.7	
540CALF	4	13	BLACK	R/A	NONE	14CA	510LF	2.8			
550CALF	5	13	BLACK	R/A	NONE	15CA	520LF	2.8			
600CALF	0	13	BLACK	R/A	NONE	00CA	500LF	2.8			
600CAHLF	0	13	BLACK	R/A	YES	00CAH	500HLF	2.8			
601CA	0	13	BLACK	SMT STAGGERED	NONE	00CA	501	--	NATURAL	NO.8	BOTTOM MOUNT TO PCB & LEFT PUSH ROD
601CAH	0	13	BLACK	SMT STAGGERED	YES	00CAH	501H	--			
602CA	0	13	BLACK	SMT IN LINE	NONE	00CA	502	--			
602CAH	0	13	BLACK	SMT IN LINE	YES	00CAH	502H	--			
620CALF	2	13	BLACK	R/A	NONE	02CA	540LF	2.5	NATURAL	NO.9	
640CALF	4	13	BLACK	R/A	NONE	04CA	510LF	2.8			
650CALF	5	13	BLACK	R/A	NONE	05CA	520LF	2.8			

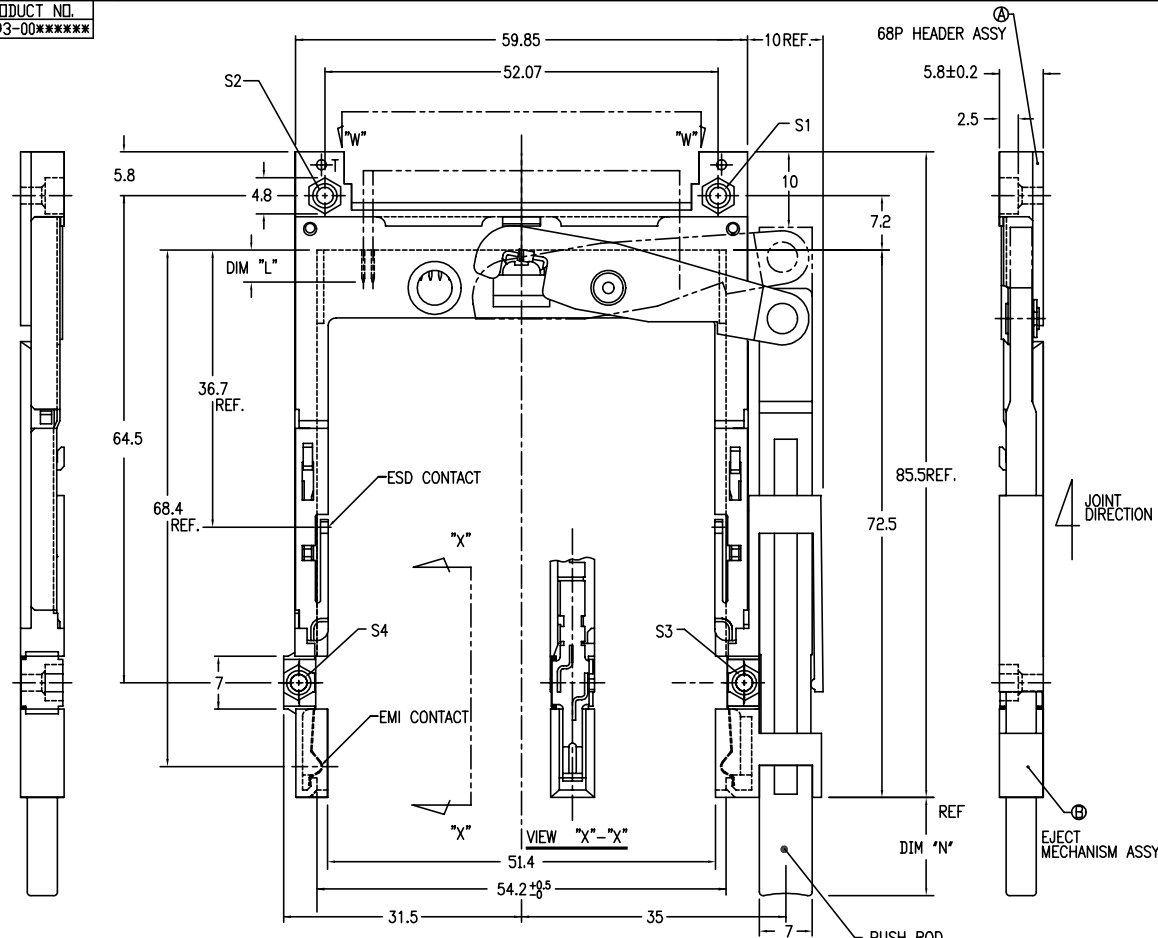


NOTE
1. THIS PRODUCT MEETS EUROPEAN UNION DIRECTIVES AND OTHER COUNTRY REGULATIONS AS DESCRIBED IN GS-22-008.

SHEET INDEX	ISSUE	SH NO.	MAT	DR M. Hasegawa	DATE 4/25/05	CUSTOMER COPY	TITLE 68P EJECTOR HEADER ASSY FOR TYPE I / II / III (FOR 5.0V)
LINEAR	TOLERANCES UNLESS OTHERWISE SPECIFIED			CHK M. Hasegawa	DATE 4/25/05	THIRD ANGLE PROJ	PRODUCT FAMILY SANF Header PCMCIA
ANGLES				APPD		SCALE	SIZE DWG. NO. 92193
						UNIT	REV SHEET V 2 of 2

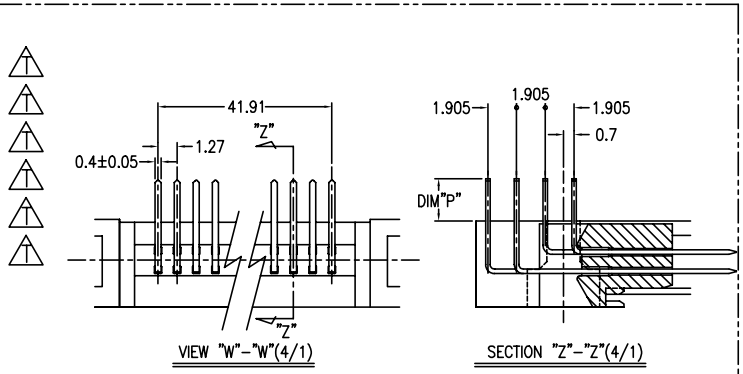
PRODUCT NO.
92193-00*****

REVISED				REVISIONS					
L	REVISED	J05-0198	M.H	4/4/05	REV	DESCRIPTION	ECN	BY	DATE
M	REVISED	V04-0820	M.H	4/25/05	F	REVISED	J40198	M.K	7/19/94
T	REVISED (ADDED -*****L)	N05-0127	WB	J05/18/05	G	REVISED	V32120	M.K	12/27/94
U					H	REVISED	J40349	M.K	1/9/95
V					J	REVISED	J50242	M.K	9/18/95
					K	REVISED	J70134	K.S	8/8/97



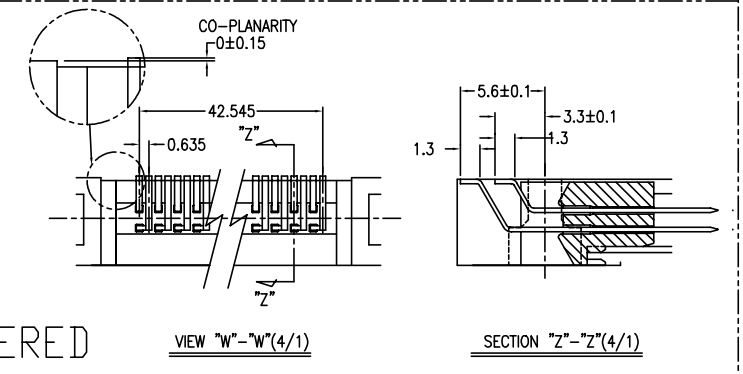
PRODUCT NO.

92193-000AA/000AALF
92193-000CA/000CALF
92193-000CAH/000CAHLF
92193-000CB/000CBLF
92193-000CBH/000CBHLF
92193-000FA/000FALF



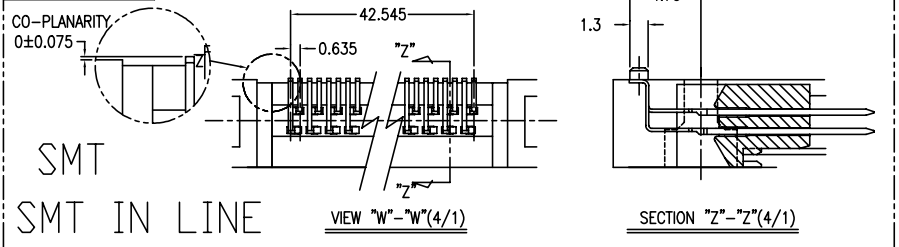
PRODUCT NO.

92193-001AA
92193-001AAH
92193-001CA
92193-001CAH
92193-001FA
92193-001FAH



PRODUCT NO.

92193-002CA
92193-002CAH



- NOTE
- EJECT FORCE 3.5Kg MAX.
 - ASSY PROCESS
 - TO MOUNT PART ① ON PWB WITH SCREW (S1,S2) AND SOLDER.
 - TO JOINT PART ② INTO PART ①, THEN FIX PART ② WITH 2 SCREWS (S3,S4).
 - EJECT TRAVEL 8.0mm
- ④ MATERIAL
- | |
|------------------------------------|
| 4.1 PART ① (HEADER ASSY) |
| HOUSING : LCP UL94V-0 |
| PIN : PHOSPHOR BRONZE |
| 4.2 PART ② (EJECT MECHANISM ASSY) |
| GUIDE : POLYPHTHAMID UL94V-0 BLACK |
| PUSH ROD : FLAME RETARDANT UL94V-0 |
| PLATE : STAINLESS |
| EMI CONTACT : PHOSPHOR BRONZE |
- 4.3 OPTIONAL HOLD-DOWN : BRASS

- ⑤ FINISH 5.1 PIN
- | |
|--|
| UNDER PLATING : 0.5µm MIN. Ni |
| CONTACT AREA : 0.1µm MIN. Au OVER 0.5µm MIN. Pd-Ni |
| SOLDER TAIL : 2.5µm MIN. Sn-Pb OR 2.5µm MIN. PURE Sn.(FOR -*****L) |
- EMI CONTACT

UNDER PLATING : 2.0µm MIN. Ni
CONTACT AREA : 0.5µm MIN. Au
 - PIN NO.
 - OPTIONAL HOLD-DOWN : 2.5µm MIN. PURE Sn.

PIN No.	DIM 'L'		
	4.25±0.1	3.5±0.1	5.0±0.1
OTHERS	36.67	17.34	35.51.68

- SEE TA-946 FOR PCB LAYOUT.
- SEE 92140 FOR DETAILED HDR DIMENSION.
- SEE SHEET 1,2 REGARDING COMPONENTS.
- GENERAL TOLERANCE : ±0.3

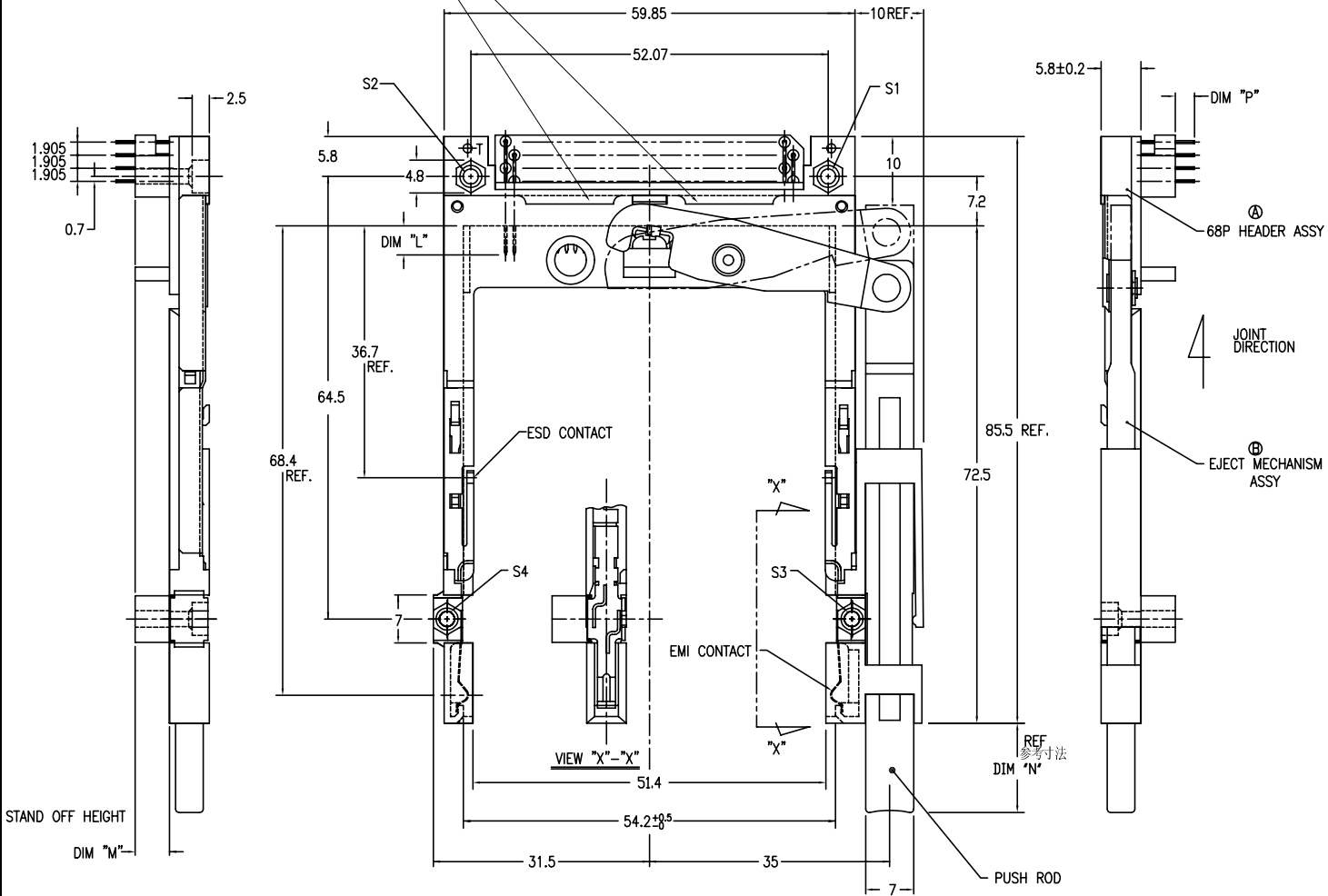
SHEET INDEX	ISSUE	SH NO.	TOLERANCES UNLESS OTHERWISE SPECIFIED	MAT	DR	DATE	CUSTOMER COPY	TITLE	PRODUCT FAMILY	SCALE	SIZE	DWG. NO.	REV	CODE	SHEET
				SEE NOTE ④	M.Hasegawa	4/25/05		68P EJECTOR HEADER ASSY FOR TYPE I/II/III (FOR 5.0V)	SANF Header PCMCIA	2/1	C	92193	V	JP	3 of 6
LINEAR				FINISH	CHK	4/25/05		THIRD ANGLE PROJ							
ANGLES				SEE NOTE ④	APPD			UNIT							



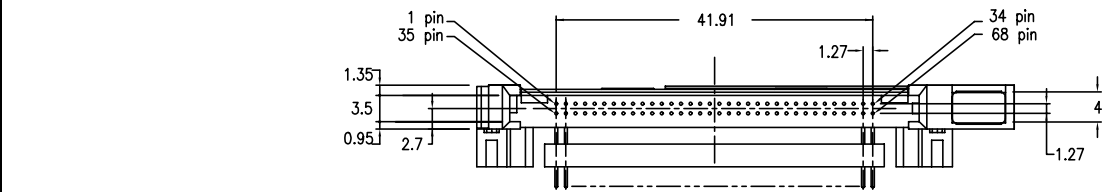
PRODUCT NO.
92193-020CA/020CALF
92193-040CA/040CALF
92193-050CA/050CALF
92193-050CAH/050CAHLF

REVISION V

REVISIONS				
REV	DESCRIPTION	ECN	BY	DATE
A	RELEASED	J30022	N.T	1/19/93
B	REVISED	J40163	M.K	5/26/94
C	REVISED	V40840	M.K	7/ 5/94
D	REVISED	V32120	M.K	2/27/94
E	REVISED	J40349	M.K	1/9/95
F	REVISED	J50242	M.K	9/18/95
G	REVISED (ADDED-050CAH)	J70134	K.S	8/8/97
T	REVISED (ADDED -*****LF)	N05-0127	WG	3/5/18/05
U				
V				



- NOTE
- EJECT FORCE 3.5Kg MAX.
 - ASSY PROCESS
2.1 TO MOUNT PART ④ ON PWB WITH SCREW (S1,S2) AND SOLDER.
2.2 TO JOINT PART ④ INTO PART ④, THEN FIX PART ④ WITH 2 SCREWS (S3,S4).
 - EJECT TRAVEL 8.0mm
- ④ MATERIAL (HEADER ASSY)
- PART ④ (HEADER ASSY)
HOUSING : LCP UL94V-0
PIN : PHOSPHOR BRONZE
 - PART ④ (EJECT MECHANISM ASSY)
GUIDE : POLYPHTHARAMID UL94V-0 BLACK
PUSH ROD : FLAME RETARDANT UL94V-0
PLATE : STAINLESS
EMI CONTACT : PHOSPHOR BRONZE
STANDOFF : ZINC ALLOYS DIE CASTING
- ⑤ FINISH
- PIN
UNDER PLATING : 0.5μm MIN. Ni
CONTACT AREA : 0.1μm MIN. Au OVER 0.5μm MIN. Pd-Ni
SOLDER TAIL : 2.5μm MIN. Sn-Pb
OR 2.5μm MIN. PURE Sn.(FOR -*****LF)
 - EMI CONTACT
UNDER PLATING : 2.0μm MIN. Ni
CONTACT AREA : 0.5μm MIN. Au
 - STAND OFF : 3 ~5μm Ni, OVER 5 ~10μm Cu.
6. PIN NO.
- | PIN No. | DIM "L" | | |
|----------|---------|---------|----------|
| | OTHERS | 36.67 | 35.51.68 |
| 4.25±0.1 | 3.5±0.1 | 5.0±0.1 | |
- SEE TA-946 FOR PCB LAYOUT.
 - SEE 92140 FOR DETAILED HDR DIMENSION.
 - SEE SHEET1,2 REGARDING COMPONENTS.
 - GENERAL TOLERANCE : ±0.3.



SHEET INDEX		ISSUE		DATE		CUSTOMER		TITLE	
SH NO.		SH NO.		DATE		COPY		68P EJECTOR HEADER ASSY FOR TYPE I/II/III (FOR 5.0V)	
TOLERANCES UNLESS OTHERWISE SPECIFIED		MAT		DR		T.Dono		SCALE	
SEE NOTE ④		ENGR		K.SUZUKI		8/8/97		SIZE	
LINEAR		FINISH		CHK		THIRD ANGLE PROJ		DWC. NO.	
ANGLES		SEE NOTE ⑤		APPD		UNIT		92193	
								REV	
								V 4 of 6	

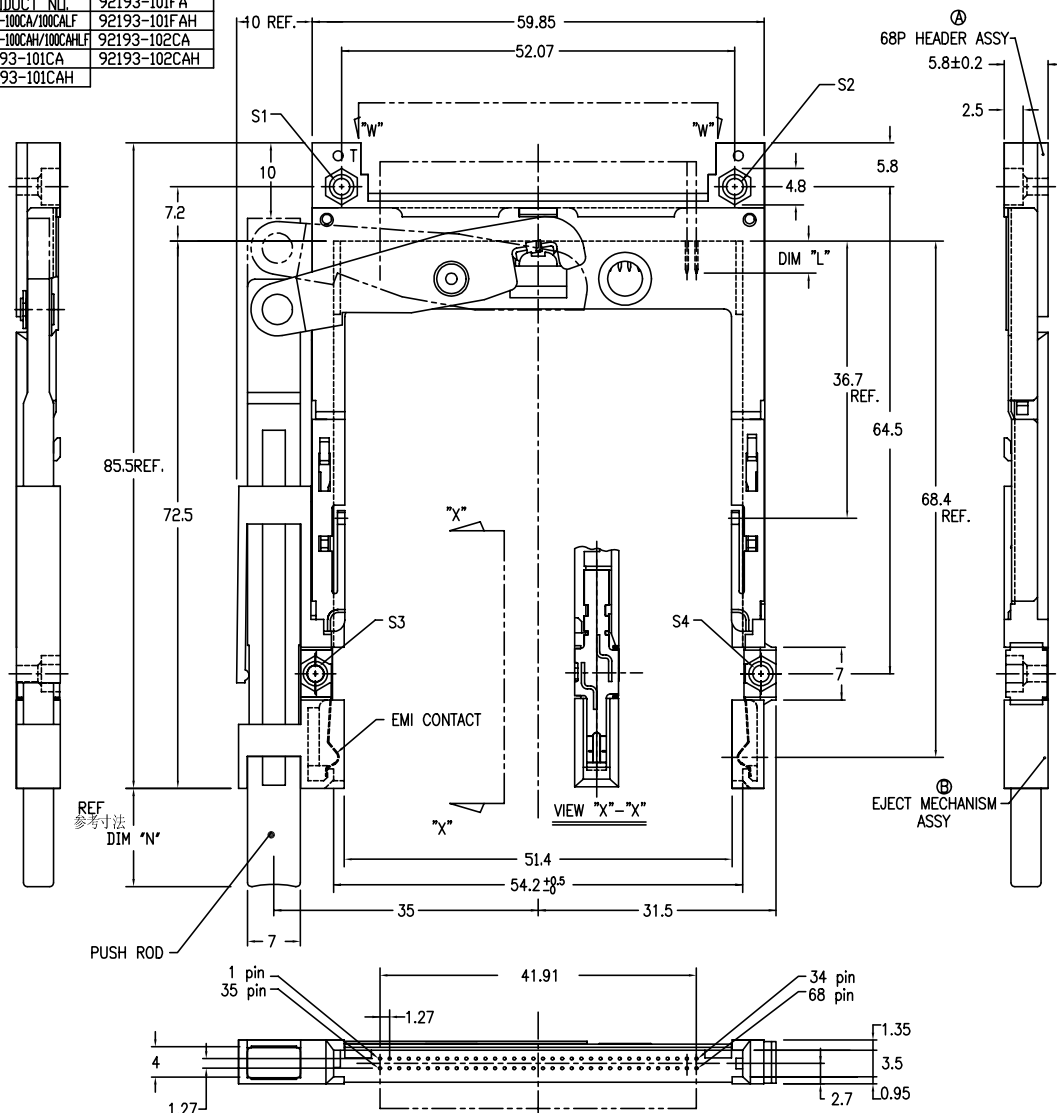


DF-003A REV C
DO NOT SCALE PRINT THIS INFORMATION IS CONFIDENTIAL AND IS DISCLOSED TO YOU ON CONDITION THAT NO FURTHER DISCLOSURE IS MADE BY YOU TO OTHER THAN BERG PERSONNEL WITHOUT WRITTEN AUTHORIZATION FROM BERG ELECTRONICS JAPAN K.K.

PRODUCT NO.	92193-101FA
92193-100CA/100CALF	92193-101FAH
92193-100CAH/100CAHLF	92193-102CA
92193-101CA	92193-102CAH
92193-101CAH	

T	REVISED (ADDED -*****LF)	N05-0127	NB	Jps/18/05
U				
V				

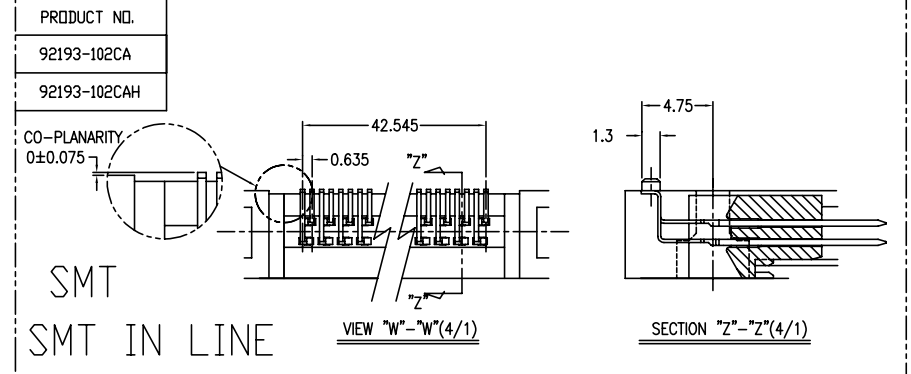
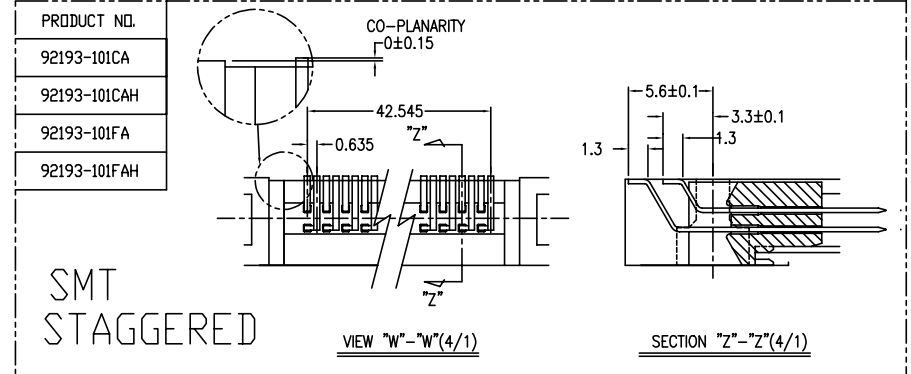
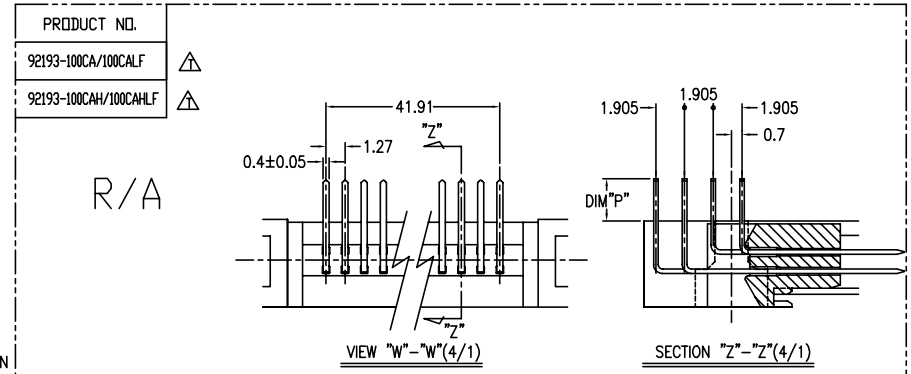
REVISIONS				
REV	DESCRIPTION	ECN	BY	DATE
F	REVISED	J40198	M.K	7/19/94
F	REVISED	V32120	M.K	12/27/94
G	REVISED	J40349	M.K	1/9/95
H	REVISED	J50242	M.K	8/18/95
J	REVISED	J70134	K.S	8/8/97



- NOTE
- EJECT FORCE 3.5Kg MAX.
 - ASSY PROCESS
 - TO MOUNT PART ① ON PWB WITH SCREW (S1,S2) AND SOLDER.
 - TO JOINT PART ② INTO PART ①, THEN FIX PART ③ WITH 2 SCREWS (S3,S4).
 - EJECT TRAVEL 8.0mm
 - MATERIAL
 - PART ① (HEADER ASSY)
 - HOUSING : LOP UL94V-0
 - PIN : PHOSPHOR BRONZE
 - PART ② (EJECT MECHANISM ASSY)
 - GUIDE : POLYPHTHARAMID UL94V-0 BLACK
 - PUSH ROD : FLAME RETARDANT UL94V-0
 - PLATE : STAINLESS
 - EMI CONTACT : PHOSPHOR BRONZE
 - OPTIONAL HOLD-DOWN : BRASS

- FINISH 5.1 PIN
 - UNDER PLATING : 0.5µm MIN. Ni
 - CONTACT AREA : 0.1µm MIN. Au OVER 0.5µm MIN. Pd-Ni
 - SOLDER TAIL : 2.5µm MIN. Sn-Pb OR 2.5µm MIN. PURE Sn.(FOR -*****LF)
- EMI CONTACT
 - UNDER PLATING : 2.0µm MIN. Ni
 - CONTACT AREA : 0.5µm MIN. Au
- OPTIONAL HOLD-DOWN : 2.5µm MIN. PURE Sn
- PIN NO.

PIN No.	DIM "L"		
	4.25±0.1	3.5±0.1	5.0±0.1
OTHERS	36.67	17.34	35.51.88
- SEE TA-946 FOR PCB LAYOUT.
- SEE 92140 FOR DETAILED HDR DIMENSION.
- SEE SHEET 1,2 REGARDING COMPONENTS.
- GENERAL TOLERANCE : ±0.3

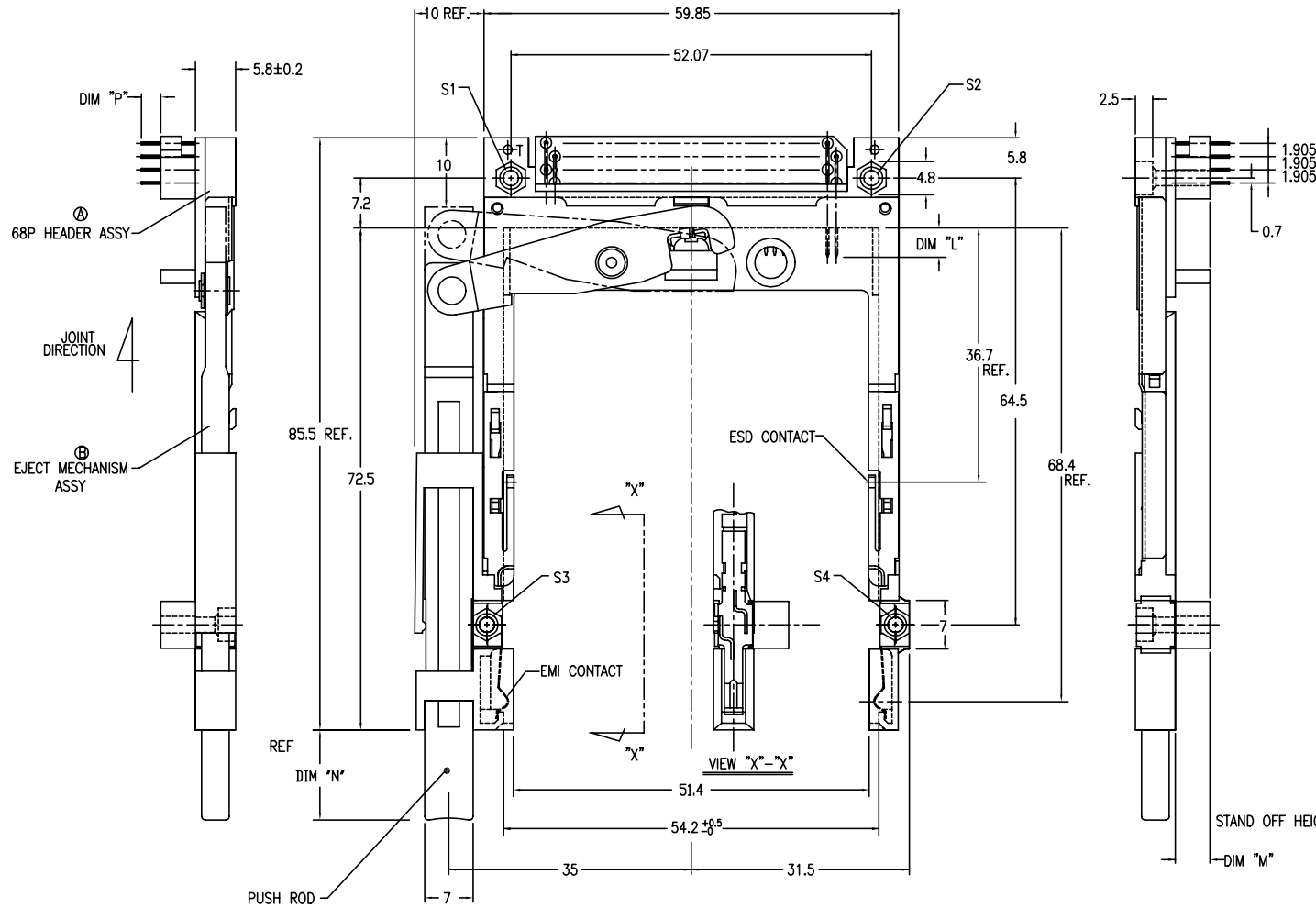


SHEET INDEX	ISSUE		MATERIAL	DR	DATE	CUSTOMER COPY
	SH NO.	ISSUE				
LINEAR		SEE NOTE ④	ENGR	T. Ino	8/8/97	THIRD ANGLE PROJ
ANGLES		SEE NOTE ⑤	CHK	K. Suzuki	8/8/97	UNIT: mm
			APPD			

SCALE		TITLE		REV		SHEET	
		68P EJECTOR HEADER ASSY FOR TYPE I/II/III (FOR 5.0V)				V	
2/1	C	SIZE	DWG. NO.	92193			

PRODUCT NO.	
92193-120CA/120CAH/LF	△
92193-120FA/120FALF	△
92193-130CA/130CALF	△
92193-130CAH/130CAHLF	△
92193-140CA/140CALF	△
92193-150CA/150CALF	△

REVISIONS				
REV	DESCRIPTION	ECN	BY	DATE
A	RELEASED	J30022	N.T	1/19/93
B	REVISED	J40163	M.K	5/26/94
C	REVISED	V40840	M.K	7/ 5/94
D	REVISED	V32120	M.K	2/27/94
E	REVISED	J40349	M.K	1/9/95
F	REVISED	J50242	M.K	9/18/95
G	REVISED (ADDED -130CAH)	J70134	K.S	8/8/97
H	REVISED	N90076	M.K	7/22/99
T	REVISED (ADDED -*****F)	N05-0127	WB	J 05/18/05
U				
V				



NOTE

- EJECT FORCE 3.5Kg MAX.
- ASSY PROCESS
2.1 TO MOUNT PART (A) ON PWB WITH SCREW (S1,S2) AND SOLDER.
2.2 TO JOINT PART (B) INTO PART (A), THEN FIX PART (B) WITH 2 SCREWS (S3,S4).
- EJECT TRAVEL 8.0mm

(4) MATERIAL

- PART (A) (HEADER ASSY)
HOUSING : LCP UL94V-0
PIN : PHOSPHOR BRONZE
- PART (B) (EJECT MECHANISM ASSY)
GUIDE : POLYPHTHARAMID UL94V-0 BLACK
PUSH ROD : FLAME RETARDANT UL94V-0
PLATE : STAINLESS
EMI CONTACT : PHOSPHOR BRONZE
STANDOFF : ZINC ALLOYS DIE CASTING

(5) FINISH

- PIN
UNDER PLATING : 0.5µm MIN. Ni
CONTACT AREA : 0.1µm MIN. Au OVER 0.5µm MIN. Pd-Ni
SOLDER TAIL : 2.5µm MIN. Sn-Pb OR 2.5µm MIN. PURE Sn.(FOR -*****LF)

5.2 EMI CONTACT

- UNDER PLATING : 2.0µm MIN. Ni
CONTACT AREA : 0.5µm MIN. Au

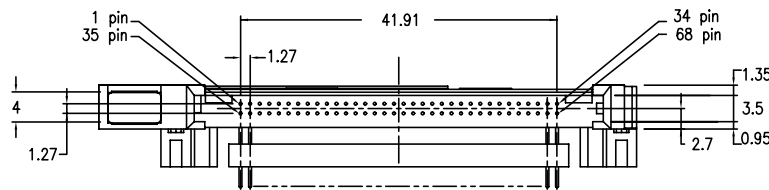
5.3 STAND OFF

- 3 ~5µm Ni, OVER 5 ~10µm Cu.

6. PIN NO.

PIN No.	DIM "L"		
	4.25±0.1	3.5±0.1	5.0±0.1
OTHERS	36.67	1.17,34	35.51,68

- SEE TA-946 FOR PCB LAYOUT.
- SEE 92140 FOR DETAILED HDR DIMENSION.
- SEE SHEET 1,2 REGARDING COMPONENTS.
- GENERAL TOLERANCE : ±0.3.



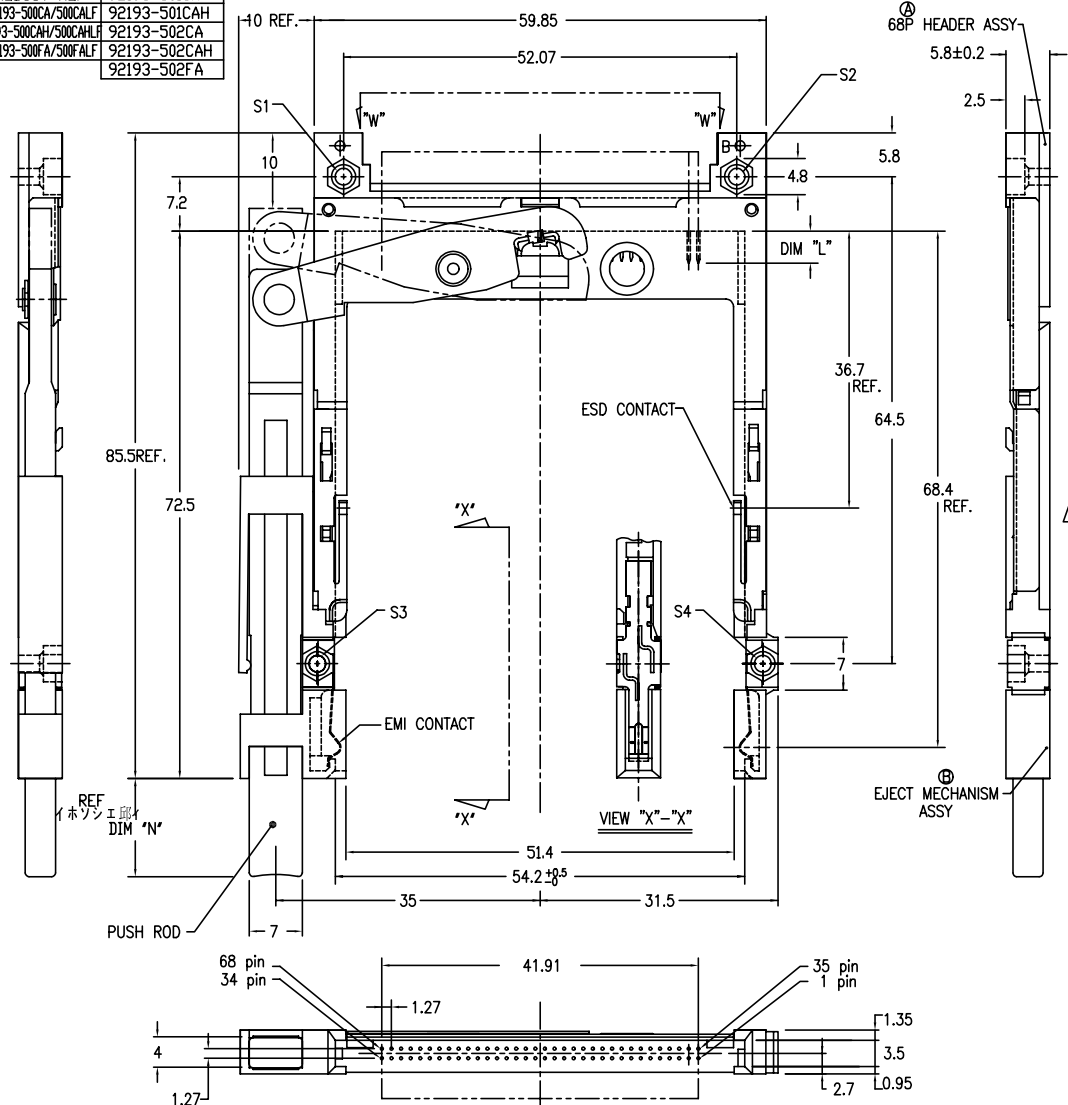
SHEET INDEX	ISSUE		MAT	DR	DATE	CUSTOMER COPY	TITLE	SCALE	SIZE	DWC. NO.	REV	SHEET
	SH NO.											
				M.Hasegawa	7/22/99		68P EJECTOR HEADER ASSY FOR TYPE I/II/III (FOR 5.0V)	2/1	C	92193	V	6 of 6
			SEE NOTE (4)	M.Kajura	7/22/99							
			SEE NOTE (5)									

DF-003A REV C

DO NOT SCALE PRINT THIS INFORMATION IS CONFIDENTIAL AND IS DISCLOSED TO YOU ON CONDITION THAT NO FURTHER DISCLOSURE IS MADE BY YOU TO OTHER THAN BERG PERSONNEL WITHOUT WRITTEN AUTHORIZATION FROM BERG ELECTRONICS JAPAN K.K.

PRODUCT NO.	92193-501CA
92193-500CA/500CALF	92193-501CAH
92193-500CAH/500CAHLF	92193-502CA
92193-500FA/500FALF	92193-502CAH
	92193-502FA

REVISED				REVISIONS			
T	REVISION	DATE	BY	REV	DESCRIPTION	ECN	DATE
V	REVISED (ADDED -*****LF)	11/11/99	M.K	J	REVISED	V40840	M.K 7/ 5/94
U		05/18/05	W.B	E	REVISED	V32120	M.K 12/27/94
				F	REVISED	J40349	M.K 1/9/95
				G	REVISED	J50242	M.K 9/18/95
				H	REVISED	V60956	M.K 7/29/96
				J	REVISED	J70134	K.S 8/8/97



- NOTE
- EJECT FORCE 3.5Kg MAX.
 - ASSY PROCESS
2.1 TO MOUNT PART ④ ON PWB WITH SCREW (S1,S2) AND SOLDER.
2.2 TO JOINT PART ⑤ INTO PART ④, THEN FIX PART ⑤ WITH 2 SCREWS (S3,S4).
 - EJECT TRAVEL 8.0mm
- ④ MATERIAL
- PART ④ (HEADER ASSY)
HOUSING : LCP UL94V-0
PIN : PHOSPHOR BRONZE
 - PART ⑤ (EJECT MECHANISM ASSY)
GUIDE : POLYPHTHARAMID UL94V-0 BLACK
PUSH ROD : FLAME RETARDANT UL94V-0
PLATE : STAINLESS
EMI CONTACT : PHOSPHOR BRONZE
 - OPTIONAL HOLD-DOWN : BRASS

- ⑤ FINISH 5.1 PIN
- 5.2 EMI CONTACT
UNDER PLATING : 0.5μm MIN. Ni
CONTACT AREA : 0.1μm MIN. Au OVER 0.5μm MIN. Pd-Ni
SOLDER TAIL : 2.5μm MIN. Sn-Pb OR 2.5μm MIN. PURE Sn.(FOR -*****LF)
- 5.3 OPTIONAL HOLD-DOWN : 2.5μm MIN. PURE Sn
6. PIN NO.

PIN No.	DIM "L"	
	OTHERS	
	4.25±0.1	3.5±0.1
	36.67	5.0±0.1
		1.17, 3.4
		35.51, 68

- SEE TA-946 FOR PCB LAYOUT.
- SEE 92140 FOR DETAILED HDR DIMENSION.
- SEE SHEET 1.2 REGARDING COMPONENTS.
- GENERAL TOLERANCE : ±0.3.

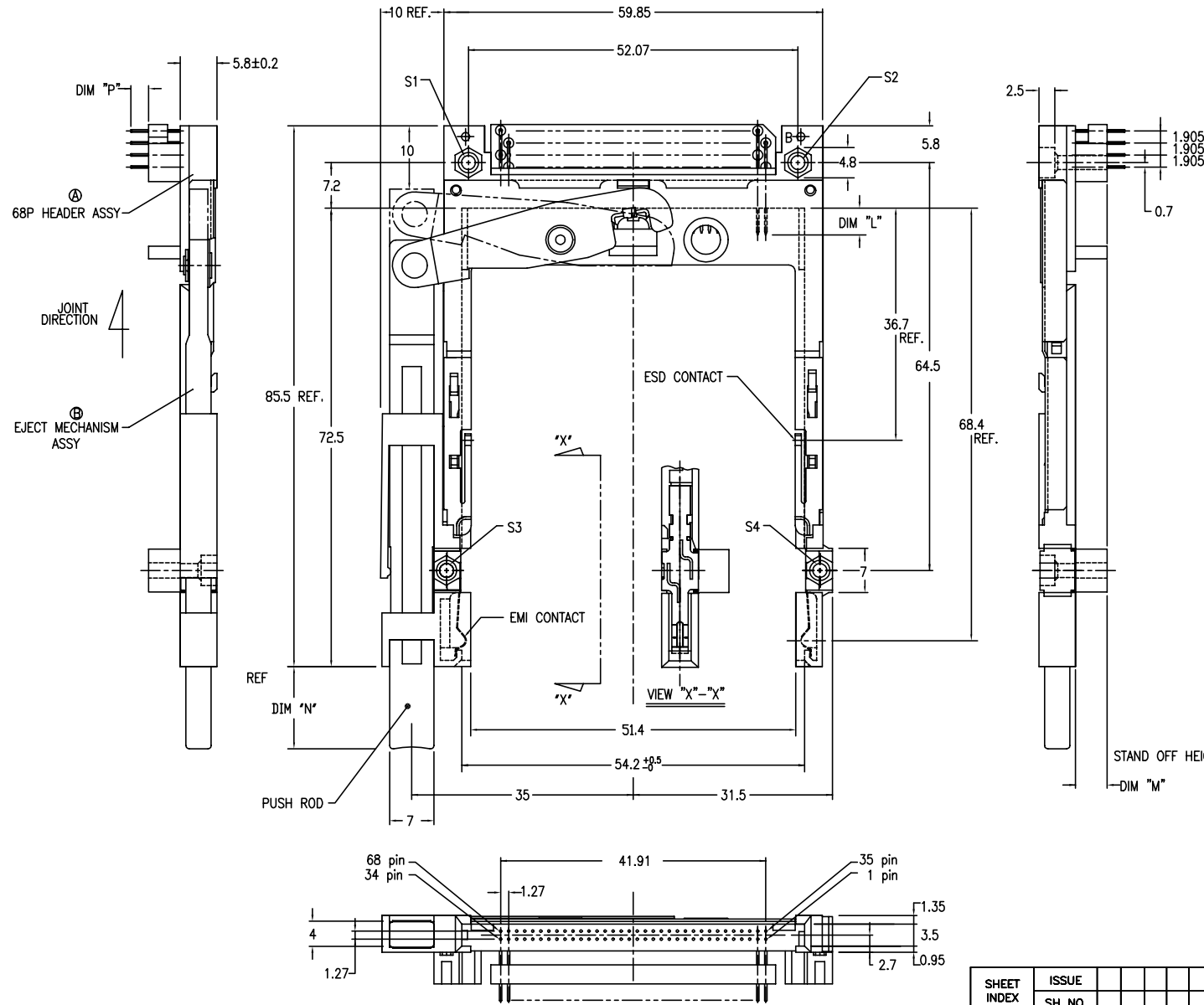
PRODUCT NO. 92193-500CA/500CALF 92193-500CAH/500CAHLF 92193-500FA/500FALF	R/A	VIEW "W"- "W"(4/1)	SECTION "Z"- "Z"(4/1)
PRODUCT NO. 92193-501CA 92193-501CAH	SMT STAGGERED	VIEW "W"- "W"(4/1)	SECTION "Z"- "Z"(4/1)
PRODUCT NO. 92193-502CA 92193-502CAH	SMT IN LINE	VIEW "W"- "W"(4/1)	SECTION "Z"- "Z"(4/1)

SHEET INDEX	ISSUE SH NO.	MAT	DR T.Dno	DATE 11/11/99	CUSTOMER COPY	TITLE 68P EJECTOR HEADER ASSY FOR TYPE I/II/III (FOR 5.0V)
LINEAR		SEE NOTE ④	ENGR M.Kajura	11/11/99	THRU ANGLE PROJ	SCALE 2/1
ANGLES		SEE NOTE ⑤	CHK	APPD	UNIT mm	SIZE C
						DWG. NO. 92193
						REV V
						SHEET 7 of 7



PRODUCT NO.	
92193-520CA/520CALF	△
92193-540CA/540CALF	△
92193-550CA/550CALF	△

REVISIONS				
REV	DESCRIPTION	ECN	BY	DATE
A	RELEASED	J30022	N.T	1/19/93
B	REVISED	J30128	M.N	4/27/93
C	REVISED	J40163	M.K	5/26/94
D	REVISED	V40840	M.K	7/ 5/94
E	REVISED	V32120	M.K	12/27/94
F	REVISED	J40349	M.K	1/9/94
G	REVISED	J50242	M.K	9/18/95
T	REVISED (ADDED -*****LF)	N05-017	WB	J05/18/05
U				
V				



- NOTE
- EJECT FORCE 3.5Kg MAX.
 - ASSY PROCESS
2.1 TO MOUNT PART ④ ON PWB WITH SCREW (S1,S2) AND SOLDER.
2.2 TO JOINT PART ⑤ INTO PART ④, THEN FIX PART ⑤ WITH 2 SCREWS (S3,S4)
 - EJECT TRAVEL 8.0mm
- ④ MATERIAL
- PART ④ (HEADER ASSY)
HOUSING : LCP UL94V-0
PIN : PHOSPHOR BRONZE
 - PART ⑤ (EJECT MECHANISM ASSY)
GUIDE : POLYPHTHARAMID UL94V-0 BLACK
PUSH ROD : FLAME RETARDANT UL94V-0
PLATE : STAINLESS
EMI CONTACT : PHOSPHOR BRONZE
STANDOFF : ZINC ALLOYS DIE CASTING
- ⑤ FINISH
- PIN
UNDER PLATING : 0.5µm MIN. Ni
CONTACT AREA : 0.1µm MIN. Au OVER 0.5µm MIN. Pd-Ni
SOLDER TAIL : 2.5µm MIN. Sn-Pb
OR 2.5µm MIN. PURE Sn.(FOR -*****LF)
 - EMI CONTACT
UNDER PLATING : 2.0µm MIN. Ni
CONTACT AREA : 0.5µm MIN. Au
 - STAND OFF : 3 ~5µm Ni, OVER 5 ~10µm Cu.
- PIN NO.

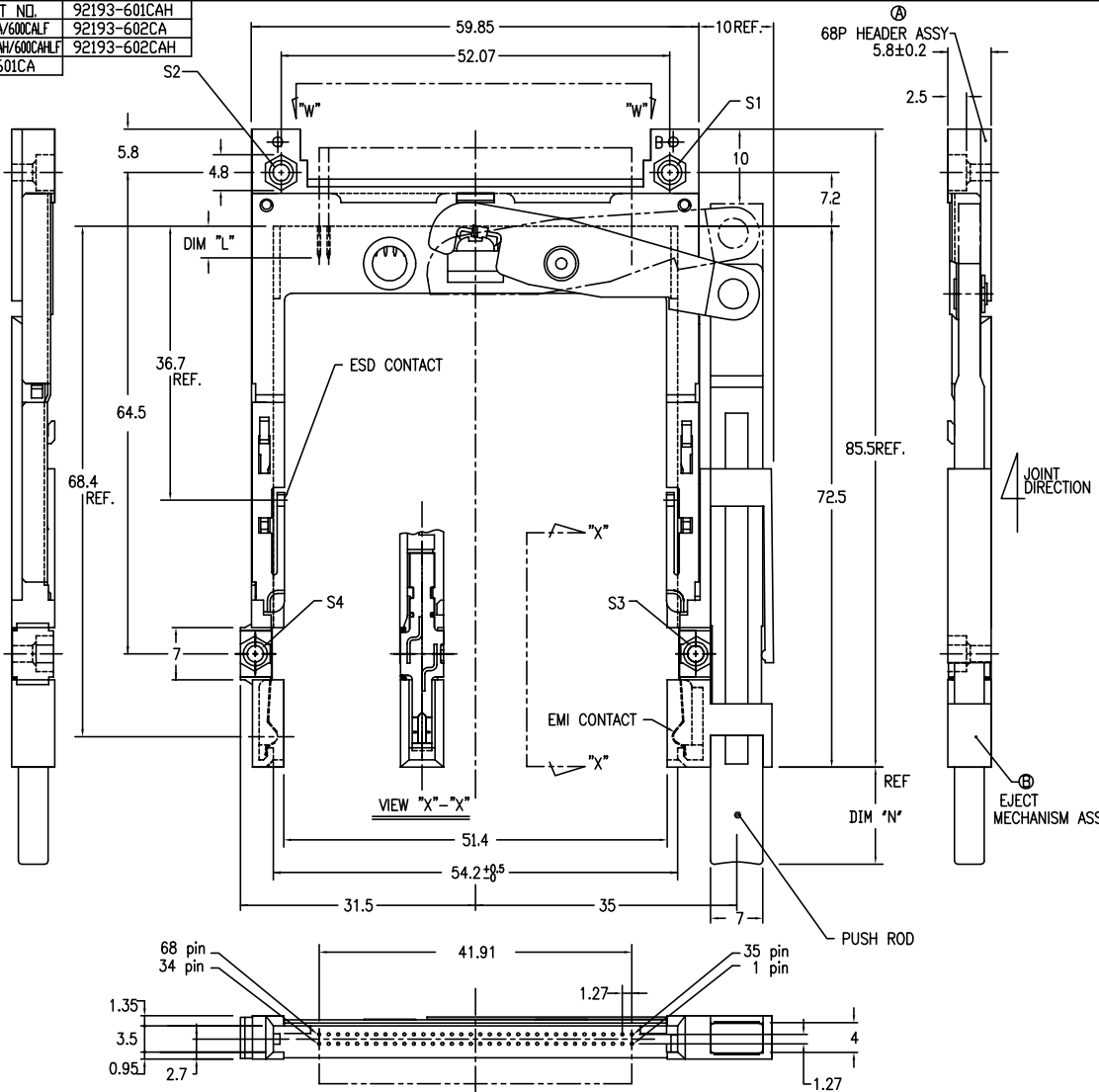
STAND OFF HEIGHT
DIM "M"

- SEE TA-946 FOR PCB LAYOUT.
- SEE 92140 FOR DETAILED HDR DIMENSION.
- SEE SHEET 1,2 REGARDING COMPONENTS.
- GENERAL TOLERANCE : ±0.3.

SHEET INDEX	ISSUE SH NO.	MAT	DR	ENGR	DATE	CUSTOMER COPY	TITLE	SCALE	SIZE	DWG. NO.	REV	SHEET
			T. Umeta	M. Ka. jura	9/18/95		68P EJECTOR HEADER ASSY FOR TYPE I/II/III (FOR 5.0V)	2/1	C	92193	V	8 of

PRODUCT NO.	92193-601CAH
92193-600CA/600CALF	92193-602CA
92193-600CAH/600CAHLF	92193-602CAH
92193-601CA	

T	REVISED (ADDED -*****LF)	N05-0127/WB	J05/18/05	REVISIONS				
REV	DESCRIPTION	ECN	BY	DATE				
D	REVISED	V40840	M.K	7/5/94				
E	REVISED	V32120	M.K	12/27/94				
F	REVISED	J40349	M.K	1/9/95				
G	REVISED	J50242	M.K	9/18/95				
H	REVISED	J70134	K.S	8/8/97				

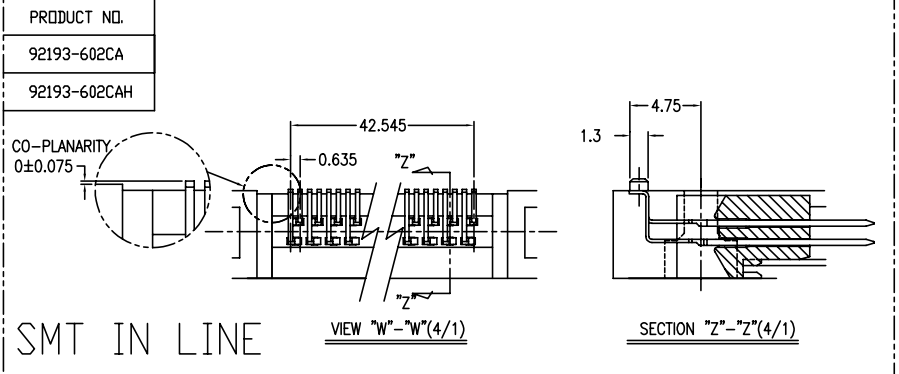
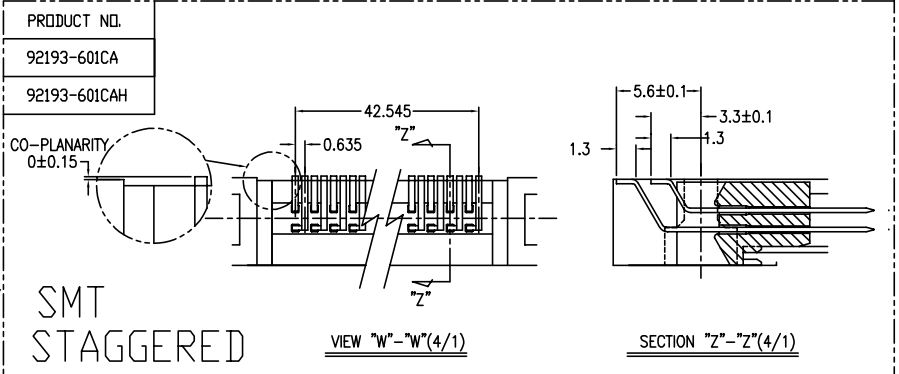
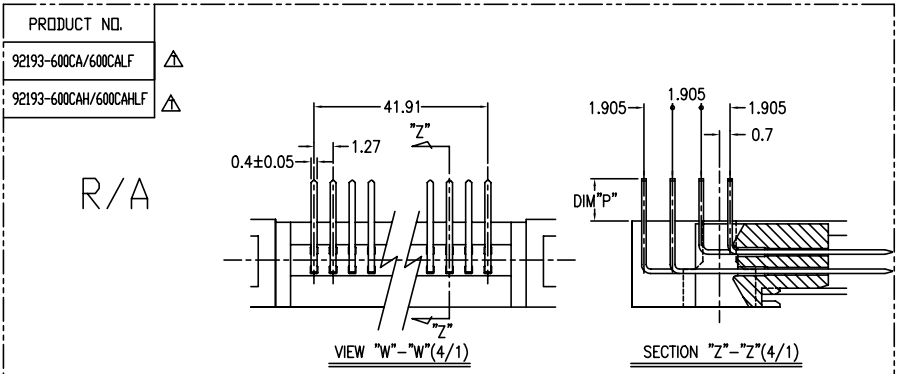


- NOTE
- EJECT FORCE 3.5kg MAX.
 - ASSY PROCESS
 - TO MOUNT PART ④ ON PWB WITH SCREW (S1,S2) AND SOLDER.
 - TO JOINT PART ⑤ INTO PART ④, THEN FIX PART ⑤ WITH 2 SCREWS (S3,S4).
 - EJECT TRAVEL 8.0mm
 - MATERIAL
 - PART ④ (HEADER ASSY)
 - HOUSING : LCP UL94V-0
 - PIN : PHOSPHOR BRONZE
 - PART ⑤ (EJECT MECHANISM ASSY)
 - GUIDE : POLYPHTHARAMID UL94V-0 BLACK
 - PUSH ROD : FLAME RETARDANT UL94V-0
 - PLATE : STAINLESS
 - EMI CONTACT : PHOSPHOR BRONZE
 - OPTIONAL HOLD-DOWN : BRASS

- ⑤ FINISH 5.1 PIN
- UNDER PLATING : 0.5µm MIN. Ni
 CONTACT AREA : 0.1µm MIN. Au OVER 0.5µm MIN. Pd-Ni
 SOLDER TAIL : 2.5µm MIN. Sn-Pb OR 2.5µm MIN. PURE Sn.(FOR -*****LF)
- 5.2 EMI CONTACT
 UNDER PLATING : 2.0µm MIN. Ni
 CONTACT AREA : 0.5µm MIN. Au
- 5.3 OPTIONAL HOLD-DOWN : 2.5µm MIN. PURE Sn

PIN NO.	DIM "L"	
	OTHERS	
	4.25±0.1	5.0±0.1
	36.67	35.51±0.08

- SEE TA-946 FOR PCB LAYOUT.
- SEE 92140 FOR DETAILED HDR DIMENSION.
- SEE SHEET 1.2 REGARDING COMPONENTS.
- GENERAL TOLERANCE : ±0.3

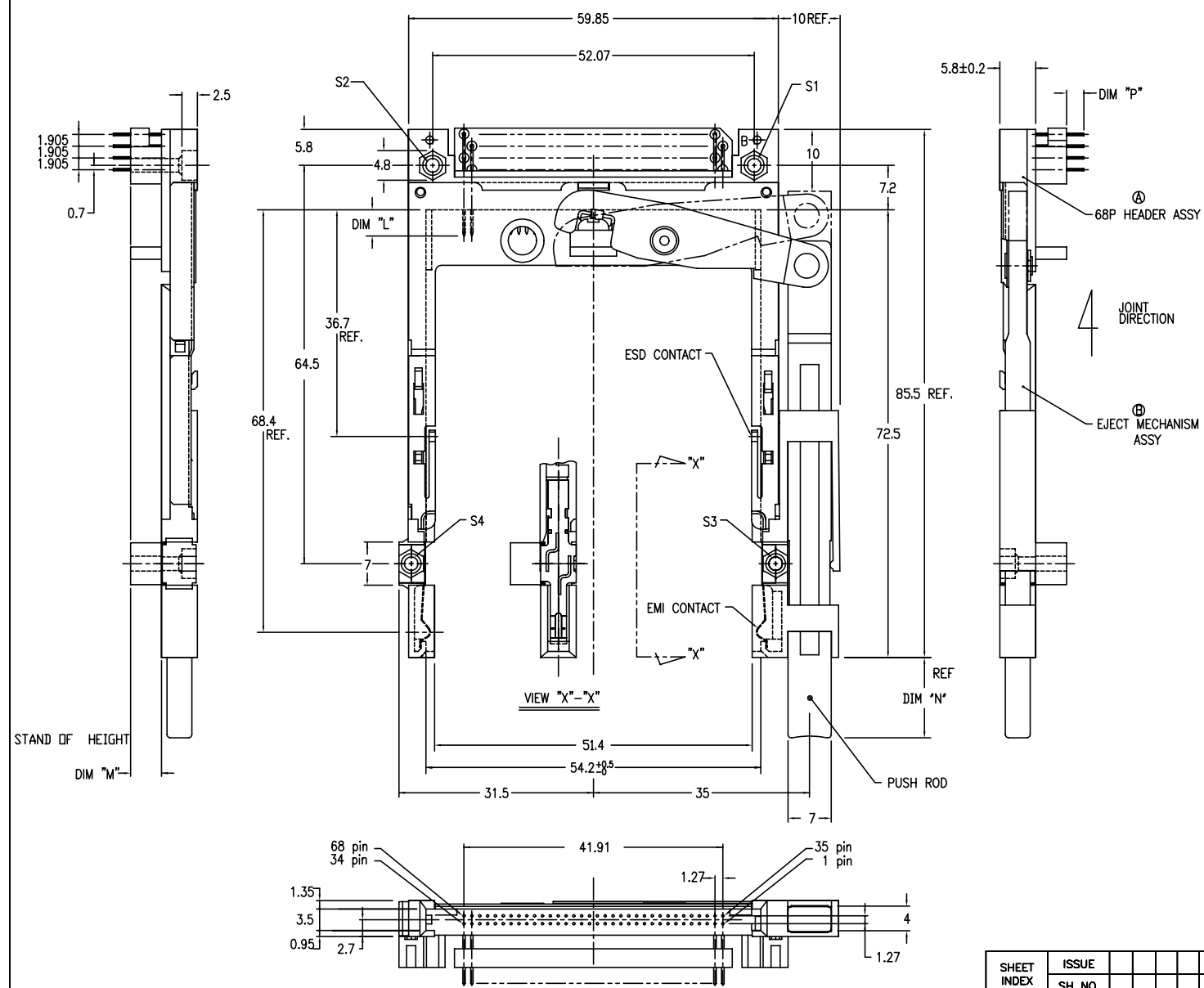


SHEET INDEX	ISSUE	SH NO.	MAT	DR	DATE	CUSTOMER COPY
				T. Uno	8/8/97	
	SEE NOTE ④		ENGR	K. Suzuki	8/8/97	
	SEE NOTE ⑤		CHK			
			APPD			

		TITLE			
		68P EJECTOR HEADER ASSY FOR TYPE I/II/III (FOR 5.0V)			
SHEET	SCALE	SIZE	DWG. NO.	REV	SHEET
2/1	C	C	92193	V	9 of 9

PRODUCT NO.
92193-620CA/620CALF
92193-640CA/640CALF
92193-650CA/650CALF

REVISIONS				
REV	DESCRIPTION	ECN	BY	DATE
A	RELEASED	J30022	N.T	1/19/93
B	REVISED	J40163	M.K	5/26/94
C	REVISED	V40840	M.K	7/ 3/94
D	REVISED	V32120	M.K	8/27/94
E	REVISED	J40349	M.K	1/6/95
F	REVISED	J50242	M.K	9/18/95
T	REVISED (ADDED -*****LF)	N05-0127	NB J	05/18/05
U				
V				



NOTE

- EJECT FORCE 3.5Kg MAX.
- ASSY PROCESS
 - TO MOUNT PART ① ON PWB WITH SCREW (S1,S2) AND SOLDER.
 - TO JOINT PART ② INTO PART ①, THEN FIX PART ② WITH 2 SCREWS (S3,S4).
- EJECT TRAVEL 8.0mm

④ MATERIAL

- PART ① (HEADER ASSY)
 - HOUSING : LCP UL94V-0
 - PIN : PHOSPHOR BRONZE
- PART ② (EJECT MECHANISM ASSY)
 - GUIDE : POLYPHTHARAMID UL94V-0 BLACK
 - PUSH ROD : FLAME RETARDANT UL94V-0
 - PLATE : STAINLESS
 - EMI CONTACT : PHOSPHOR BRONZE
 - STANDOFF : ZINC ALLOYS DIE CASTING

⑤ FINISH

- PIN
 - UNDER PLATING : 0.5µm MIN. Ni
 - CONTACT AREA : 0.1µm MIN. Au OVER 0.5µm MIN. Pd-Ni
 - SOLDER TAIL : 2.5µm MIN. Sn-Pb OR 2.5µm MIN. PURE Sn.(FOR -*****LF)
- EMI CONTACT
 - UNDER PLATING : 2.0µm MIN. Ni
 - CONTACT AREA : 0.5µm MIN. Au
- STAND OFF : 3 ~5µm Ni, OVER 5 ~10µm Cu.

6. PIN NO.

PIN No.	DIM "L"		
	OTHERS	36.67	35.51.68
4.25±0.1	3.5±0.1	5.0±0.1	
		1.17.34	

- SEE TA-946 FOR PCB LAYOUT.
- SEE 92140 FOR DETAILED HDR DIMENSION.
- SEE SHEET 1,2 REGARDING COMPONENTS.
- GENERAL TOLERANCE : ±0.3

STAND OFF HEIGHT
DIM "M"

DF-003A REV C
DO NOT SCALE PRINT THIS INFORMATION IS CONFIDENTIAL AND IS DISCLOSED TO YOU ON CONDITION THAT NO FURTHER DISCLOSURE IS MADE BY YOU TO OTHER THAN BERG PERSONNEL WITHOUT WRITTEN AUTHORIZATION FROM BERG ELECTRONICS JAPAN K.K.

SHEET INDEX	ISSUE SH NO.	MAT	DR	DATE	CUSTOMER COPY	TITLE	SCALE	SIZE	DWG. NO.	REV	SHEET
		SEE NOTE ④	T. Umeta	9/18/95		68P EJECTOR HEADER ASSY FOR TYPE I/II/III (FOR 5.0V)	2/1	C	92193	V	10 of 10
		SEE NOTE ⑤	M. Ka jura	9/18/95							

