



Chipsmall Limited consists of a professional team with an average of over 10 year of expertise in the distribution of electronic components. Based in Hongkong, we have already established firm and mutual-benefit business relationships with customers from,Europe,America and south Asia,supplying obsolete and hard-to-find components to meet their specific needs.

With the principle of “Quality Parts,Customers Priority,Honest Operation,and Considerate Service”,our business mainly focus on the distribution of electronic components. Line cards we deal with include Microchip,ALPS,ROHM,Xilinx,Pulse,ON,Everlight and Freescale. Main products comprise IC,Modules,Potentiometer,IC Socket,Relay,Connector.Our parts cover such applications as commercial,industrial, and automotives areas.

We are looking forward to setting up business relationship with you and hope to provide you with the best service and solution. Let us make a better world for our industry!



## Contact us

Tel: +86-755-8981 8866 Fax: +86-755-8427 6832

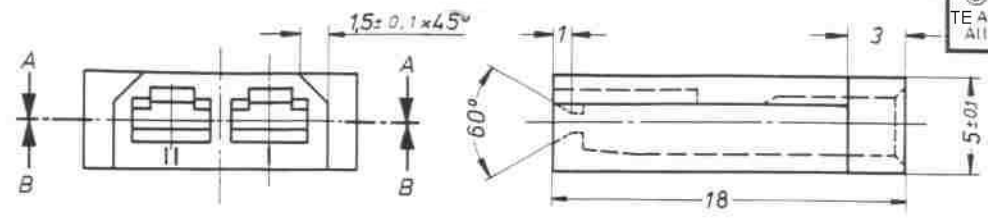
Email & Skype: info@chipsmall.com Web: www.chipsmall.com

Address: A1208, Overseas Decoration Building, #122 Zhenhua RD., Futian, Shenzhen, China

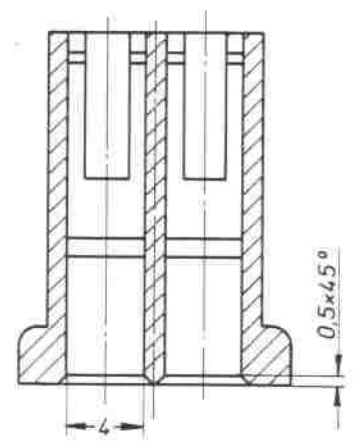


Zeichnung erstellt durch  
 © Copyright 66  
 TE AMP DEUTSCHLAND GmbH  
 Alle Rechte vorbehalten

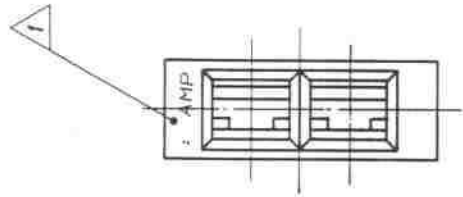
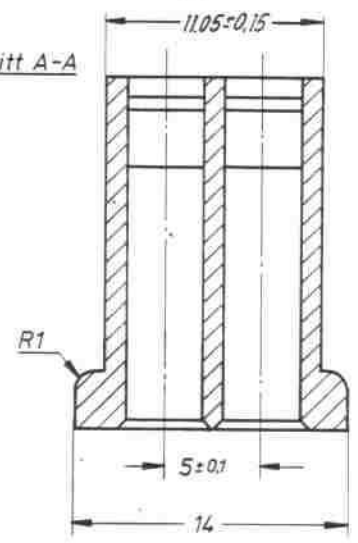
Index	Anderung	Tag	Name
H	Bemerkung 1 hinzu	29.04.96	Stu
H1	925014-2/1-3 Obsolete	23.12.99	Pfeilsch./H
H2	ECR-10-026307	26.05.11	KK



Schnitt B-B



Schnitt A-A



American Projection

Obsolete	<del>925 014-1</del>	<del>PA 66</del>	<del>Blau</del>	 TE Connectivity	Benennung 2pol.FF Steckhülsen- gehäuse SERIE 2,8	
Obsolete	<del>925 014-3</del>	<del>Noryl SE1</del>	<del>Grau</del>			
Obsolete	<del>925 014-2</del>	<del>Noryl SE1</del>	<del>Schwarz</del>			
	925 014-1	PA 6.6	Schwarz			
	925 014-2	PA 6.6	Natur			
Bestell-Nr.	Werkstoff	Oberfläche	Nicht tolerierte Maße	Format	Zeichnungs-Nr.	REV
		Farbe	± 0,2 mm	B	925 014	H2
Gepr. <i>Humb 20/4</i>	Gepr. <i>13.5.76</i>	Gepr. <i>Wab</i>	± 0,1 mm			
			Maßstab 4:1			Blatt-Nr.

1 MITTELSCHRIFT 1 DIN 1451, CHARACTERS 0.15MM RAISED  
 Mittelschrift 1 DIN 1451, Schrift 0.15mm ablesen