



Chipsmall Limited consists of a professional team with an average of over 10 year of expertise in the distribution of electronic components. Based in Hongkong, we have already established firm and mutual-benefit business relationships with customers from,Europe,America and south Asia,supplying obsolete and hard-to-find components to meet their specific needs.

With the principle of "Quality Parts,Customers Priority,Honest Operation,and Considerate Service",our business mainly focus on the distribution of electronic components. Line cards we deal with include Microchip,ALPS,ROHM,Xilinx,Pulse,ON,Everlight and Freescale. Main products comprise IC,Modules,Potentiometer,IC Socket,Relay,Connector.Our parts cover such applications as commercial,industrial, and automotives areas.

We are looking forward to setting up business relationship with you and hope to provide you with the best service and solution. Let us make a better world for our industry!



## Contact us

Tel: +86-755-8981 8866 Fax: +86-755-8427 6832

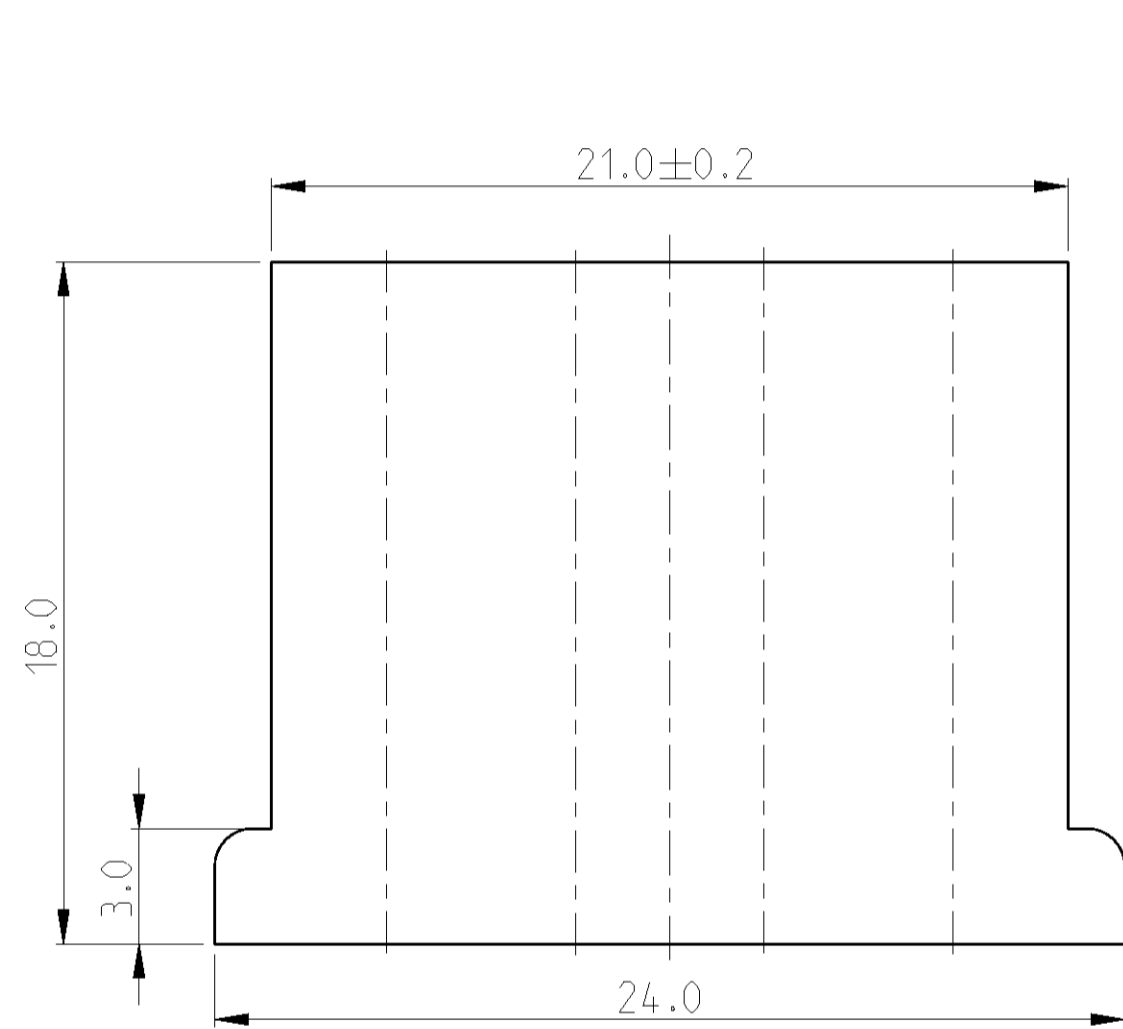
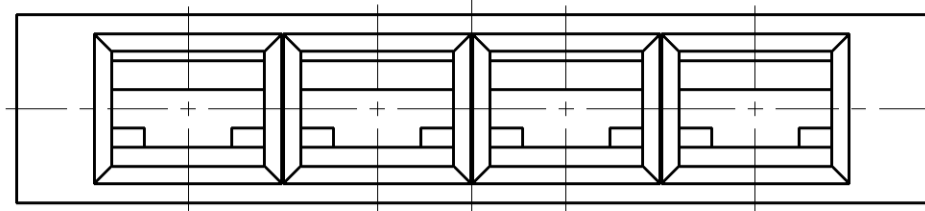
Email & Skype: info@chipsmall.com Web: www.chipsmall.com

Address: A1208, Overseas Decoration Building, #122 Zhenhua RD., Futian, Shenzhen, China

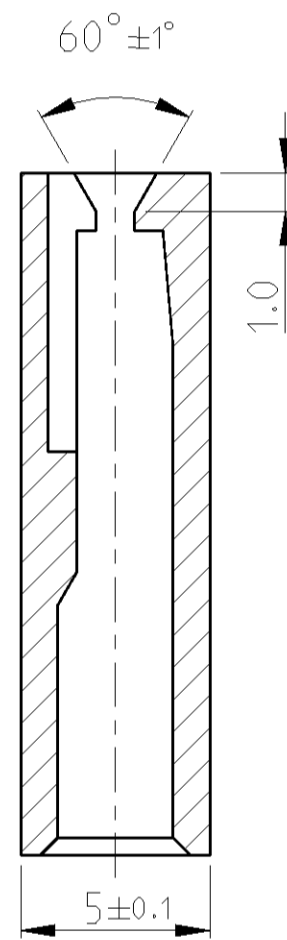


THIS DRAWING IS UNPUBLISHED. RELEASED FOR PUBLICATION 2009  
 © COPYRIGHT 2009 ALL RIGHTS RESERVED.

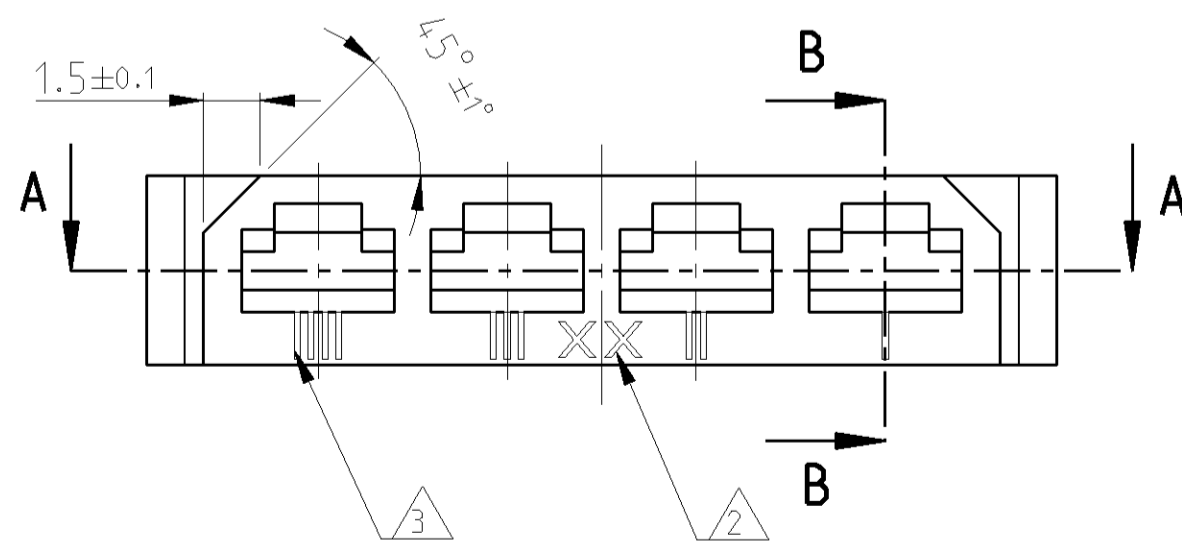
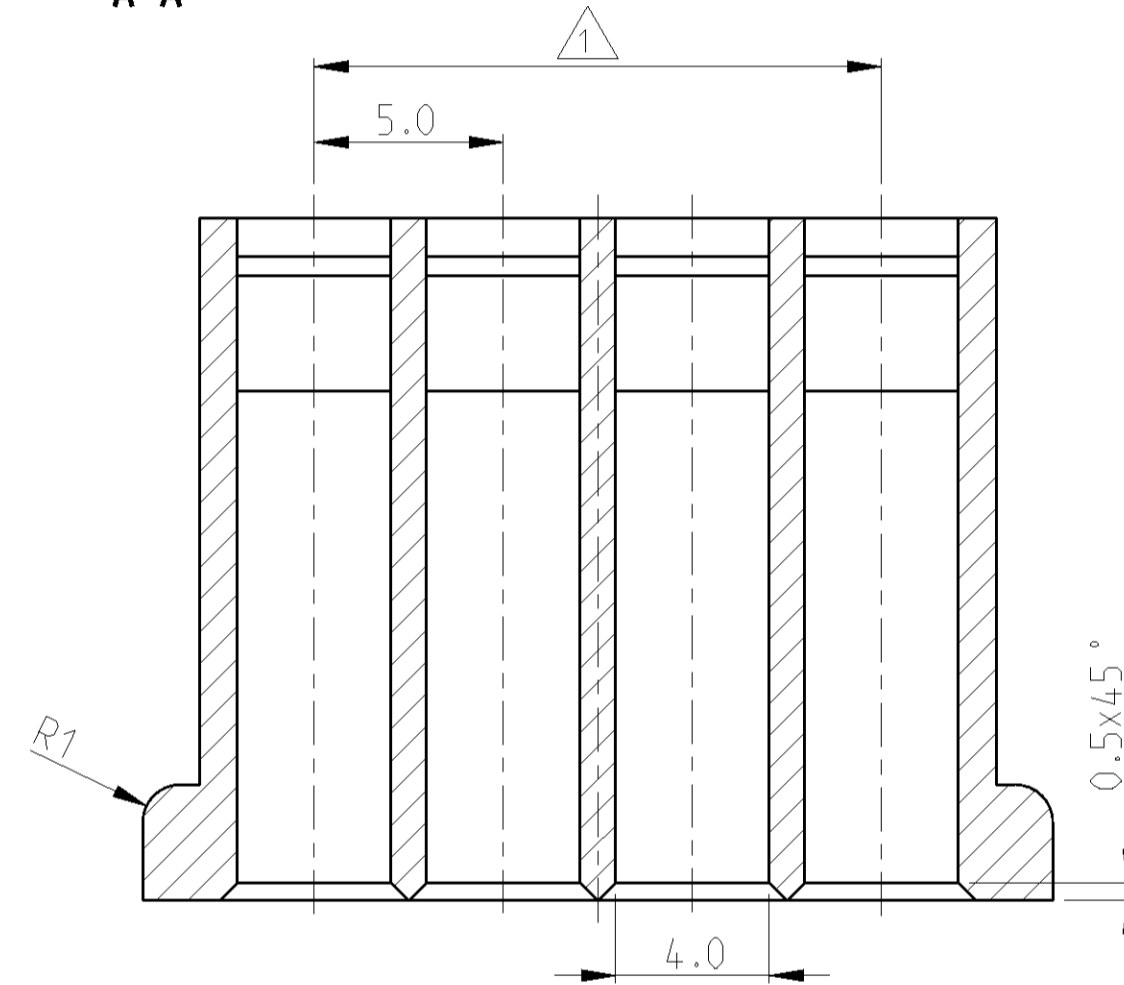
LOC		DIST		REVISIONS			
P	LTR	DESCRIPTION	DATE	DWN	APVD		
A1	-						
B	-						
C	-	Tolerance $\pm 0.1$ was $-0.1$	23SEP1971	-	-		
C1	-	new drawing created: dimension $21.0 \pm 0.2$ was $21.0 \pm 0.1$ (conversation failure)	02SEP2009	Kirsch.	Stre.		
C2	-	Cavity identification added	31MRZ2011	Hom.	Stre.		



B-B

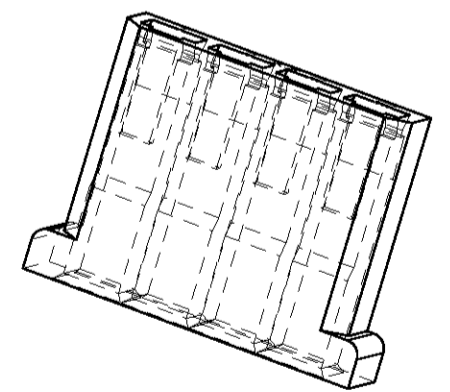


A-A



NOTE: Bemerkungen:

- 1 TOLERANCE FOR ANY DIVISION  $\pm 0.1$  mm  
Toleranz beliebiger Teilungen  $\pm 0.1$  mm
- 2 MOULD CAVITY NUMBER  
Werkzeugnestzahl
- 3 CAVITY IDENTIFICATION  
Kammerbezeichnung



2:1

925016-0	NYLON	NATURAL
PART NO.	MATERIAL	COLOUR

THIS DRAWING IS A CONTROLLED DOCUMENT.		DWN 02SEP2009 J. Kirschbaum	TE Connectivity	
DIMENSIONS: mm		CHK 03SEP2009 E. Stredak		
TOLERANCES UNLESS OTHERWISE SPECIFIED: $\pm 0.2$ mm		APVD 04SEP2009 M. Bleicher	NAME 4POS. FASTIN-FASTON REC. HSG. SER.110 4pol. F.F. Steckhuelsengehaeuse SERIE 2.8	
MATERIAL SEE TABLE		PRODUCT SPEC -	SIZE CAGE CODE DRAWING NO A2100779 C-925016	
FINISH		APPLICATION SPEC -	RESTRICTED TO -	
CUSTOMER DRAWING		WEIGHT -	SCALE 5:1 SHEET 1 OF 1 REV C2	