



Chipsmall Limited consists of a professional team with an average of over 10 year of expertise in the distribution of electronic components. Based in Hongkong, we have already established firm and mutual-benefit business relationships with customers from,Europe,America and south Asia,supplying obsolete and hard-to-find components to meet their specific needs.

With the principle of “Quality Parts,Customers Priority,Honest Operation,and Considerate Service”,our business mainly focus on the distribution of electronic components. Line cards we deal with include Microchip,ALPS,ROHM,Xilinx,Pulse,ON,Everlight and Freescale. Main products comprise IC,Modules,Potentiometer,IC Socket,Relay,Connector.Our parts cover such applications as commercial,industrial, and automotives areas.

We are looking forward to setting up business relationship with you and hope to provide you with the best service and solution. Let us make a better world for our industry!



Contact us

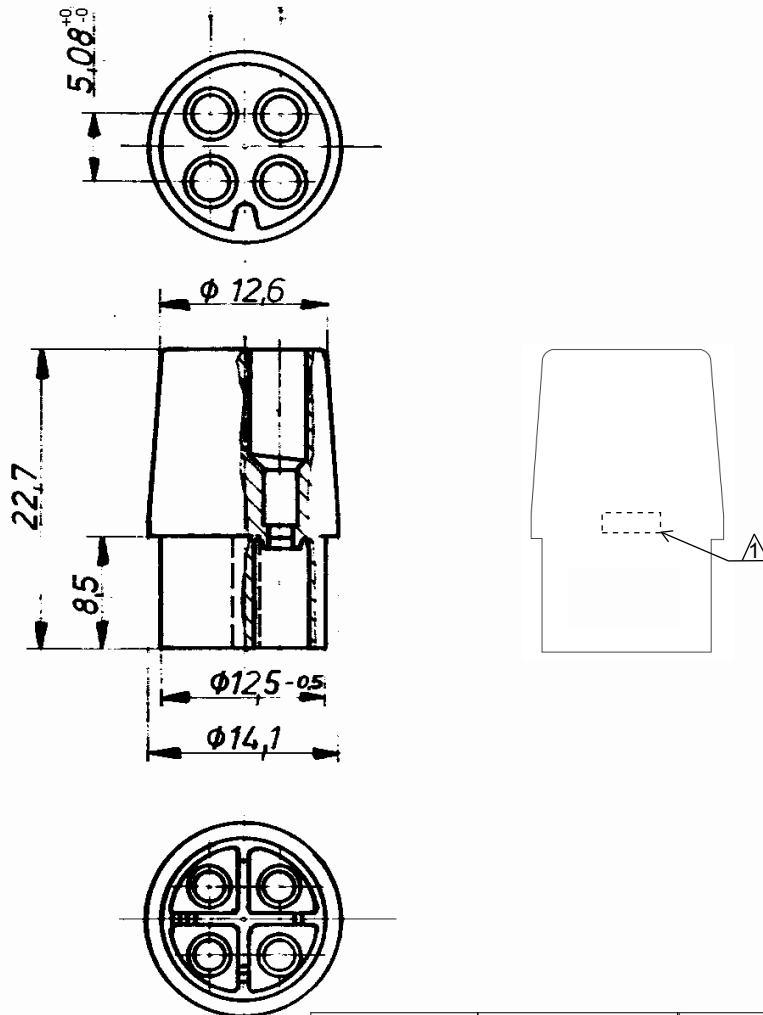
Tel: +86-755-8981 8866 Fax: +86-755-8427 6832

Email & Skype: info@chipsmall.com Web: www.chipsmall.com

Address: A1208, Overseas Decoration Building, #122 Zhenhua RD., Futian, Shenzhen, China



LOC	DIST	REVISONS					
AL	2	P	LTR	DESCRIPTION	DATE	DWN	APVD
		C5		REVISED PER ECR-15-014424	18NOV2015	NK	EW



1 FROST TE LOGO ON THIS SURFACE
PER P/N: 1621426-4

	925076-7	PA66 GWT 750°C-V0	NATURAL
	925076-6	PA6 GWT750°C-V2	NATURAL
	925076-4	PA66	RED
	925076-3	PA66	BLACK
OBSOLETE	925076-2	PA66 UL94	WHITE
OBSOLETE	925076-1	PA66 UL94	NATURAL
	925076	PA66 UL94 V-2	NATURAL
	PN	MATERIAL	COLOUR

THIS DRAWING IS UNPUBLISHED.

© COPYRIGHT 20 BY TYCO ELECTRONICS CORPORATION. ALL RIGHTS RESERVED.

DIMENSIONS: mm	DWN J. SALO 10AUG2009	MATERIAL	SEE TABLE	FINISH	-
TOLERANCES UNLESS OTHERWISE SPECIFIED:	CHK R. SOLE 10AUG2009				
0 PLC ±	APVD G. TURCO 10AUG2009				
1 PLC ±0,4	PRODUCT SPEC	NAME 4 WAY CIRCULAR MATE-N-LOK SOCKET HOUSING			
2 PLC ±0,4	APPLICATION SPEC	SIZE	CAGE CODE	DRAWING NO	RESTRICTED TO
3 PLC ±		A4	00779	C-925076	-
4 PLC ±	WEIGHT				
ANGLES ±1°30'		CUSTOMER DRAWING			
		SCALE	2:1	SHEET	1 OF 1
				REV	C5