



Chipsmall Limited consists of a professional team with an average of over 10 year of expertise in the distribution of electronic components. Based in Hongkong, we have already established firm and mutual-benefit business relationships with customers from,Europe,America and south Asia,supplying obsolete and hard-to-find components to meet their specific needs.

With the principle of "Quality Parts,Customers Priority,Honest Operation,and Considerate Service",our business mainly focus on the distribution of electronic components. Line cards we deal with include Microchip,ALPS,ROHM,Xilinx,Pulse,ON,Everlight and Freescale. Main products comprise IC,Modules,Potentiometer,IC Socket,Relay,Connector.Our parts cover such applications as commercial,industrial, and automotives areas.

We are looking forward to setting up business relationship with you and hope to provide you with the best service and solution. Let us make a better world for our industry!



Contact us

Tel: +86-755-8981 8866 Fax: +86-755-8427 6832

Email & Skype: info@chipsmall.com Web: www.chipsmall.com

Address: A1208, Overseas Decoration Building, #122 Zhenhua RD., Futian, Shenzhen, China

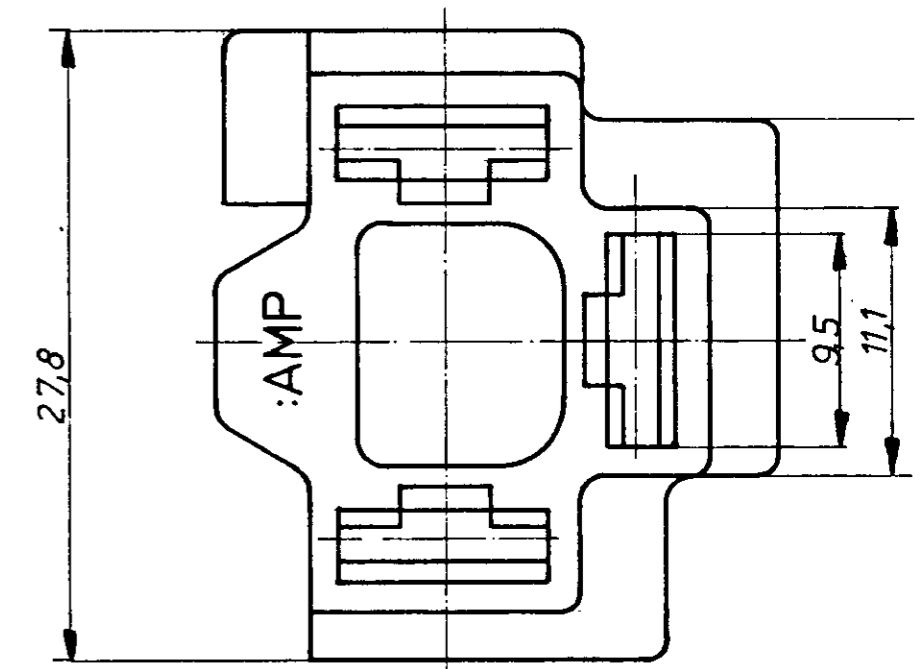
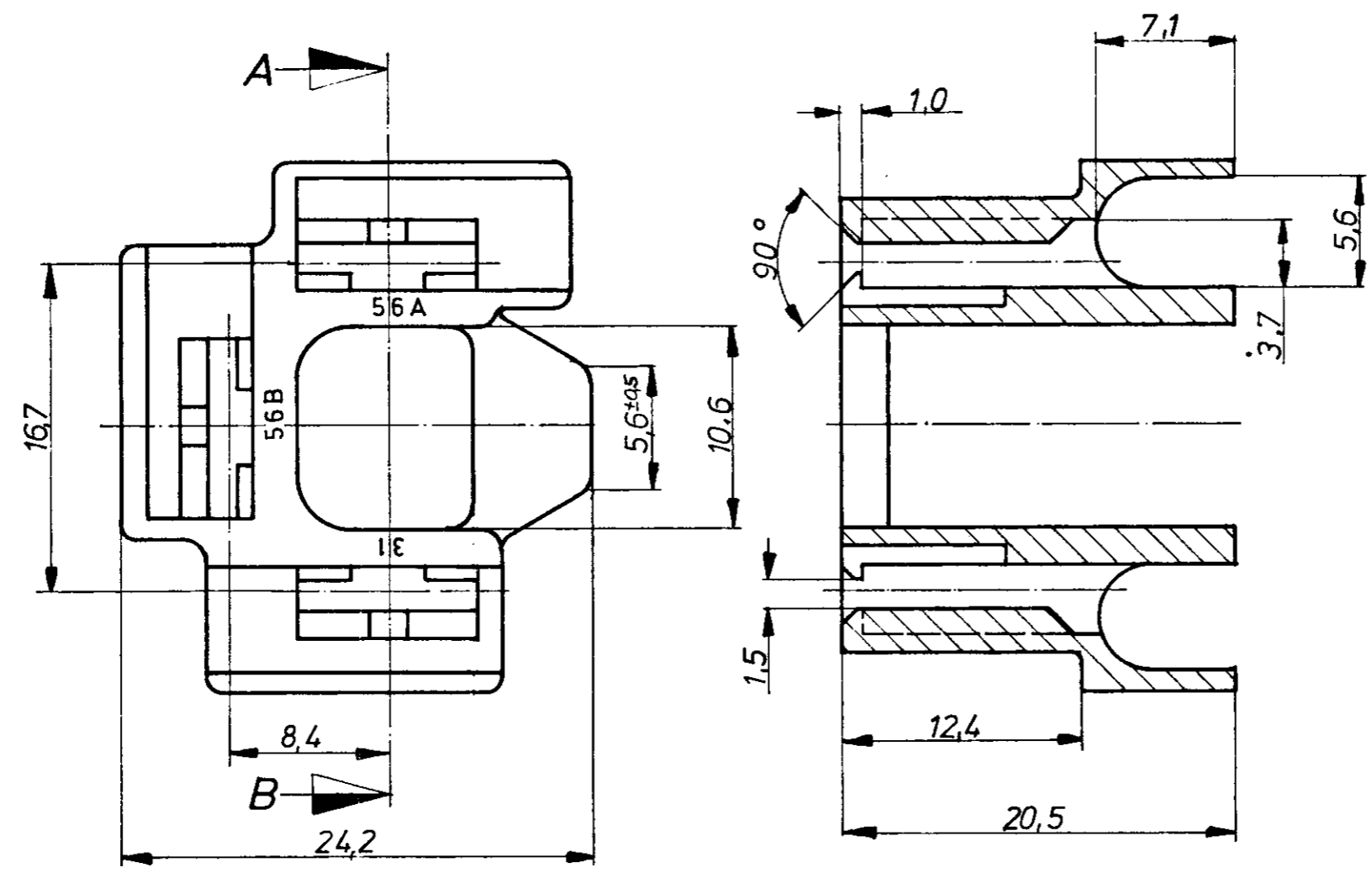


USED ON

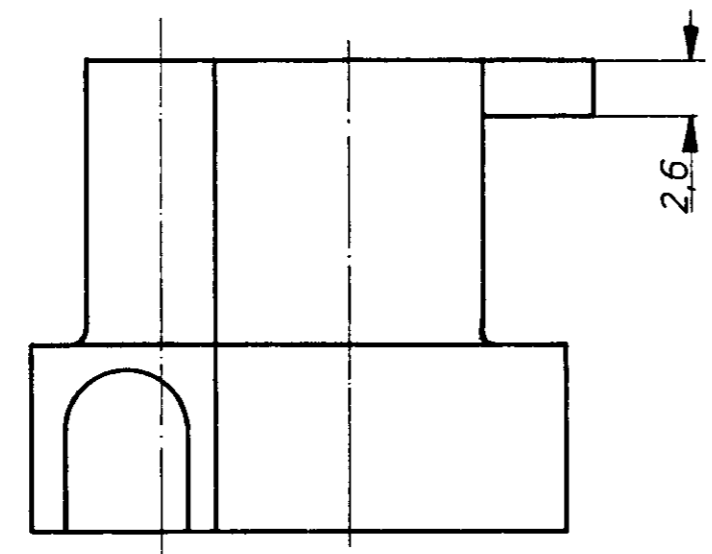
NO FURTHER ASSURANCE IS MADE BY AMP OF THE QUALITY OF THE REPRODUCTION OF THIS DRAWING WITHOUT THE WRITTEN AUTHORIZATION FROM AMP INCORPORATED, HARRISBURG, PA.

DIMENSIONS IN MM DO NOT SCALE PRINT.

PRINT DIST



Schnitt A-B



Zeichnung geschützt durch
 © Copyright 1975
 AMP DEUTSCHLAND GmbH
 Alle Rechte vorbehalten

Freimaßtoleranz ±0,2

925 176-4	Polyester GV20/SE-0	natur
925 176-3	Noryl 731	grau
8-925 176-0	Polysulfon	natur
0-925 176-5	Polyamid 66	schwar.
0-925 176-0	Polyamid 66	natur
Bestell-Nr.	Werkstoff	Farbe

NUMBER

C TABELLE ERGÄNZT, NEUE ZEICHNUNGEN		535	40	32525
LTR	REVISION RECORD	ECN	DR/CHK	DATE

KUNDENZEICHNUNG		
MATERIAL	1-1	DR 26.5.75 Joh
HEAT TREAT	1-1	CHK 28.5.75
COATING OR PLATING	1-1	AMP Deutsche AMP (Langen b. I Germany)
TERMINAL	FIRST USED	LOC B NO 925 176
TYPE	NAME	3 pol. FASTIN - ON Steckhülse
SCALE	3:1 gehäuse für Serie 8.0	