



Chipsmall Limited consists of a professional team with an average of over 10 year of expertise in the distribution of electronic components. Based in Hongkong, we have already established firm and mutual-benefit business relationships with customers from,Europe,America and south Asia,supplying obsolete and hard-to-find components to meet their specific needs.

With the principle of “Quality Parts,Customers Priority,Honest Operation,and Considerate Service”,our business mainly focus on the distribution of electronic components. Line cards we deal with include Microchip,ALPS,ROHM,Xilinx,Pulse,ON,Everlight and Freescale. Main products comprise IC,Modules,Potentiometer,IC Socket,Relay,Connector.Our parts cover such applications as commercial,industrial, and automotives areas.

We are looking forward to setting up business relationship with you and hope to provide you with the best service and solution. Let us make a better world for our industry!



## Contact us

Tel: +86-755-8981 8866 Fax: +86-755-8427 6832

Email & Skype: info@chipsmall.com Web: www.chipsmall.com

Address: A1208, Overseas Decoration Building, #122 Zhenhua RD., Futian, Shenzhen, China

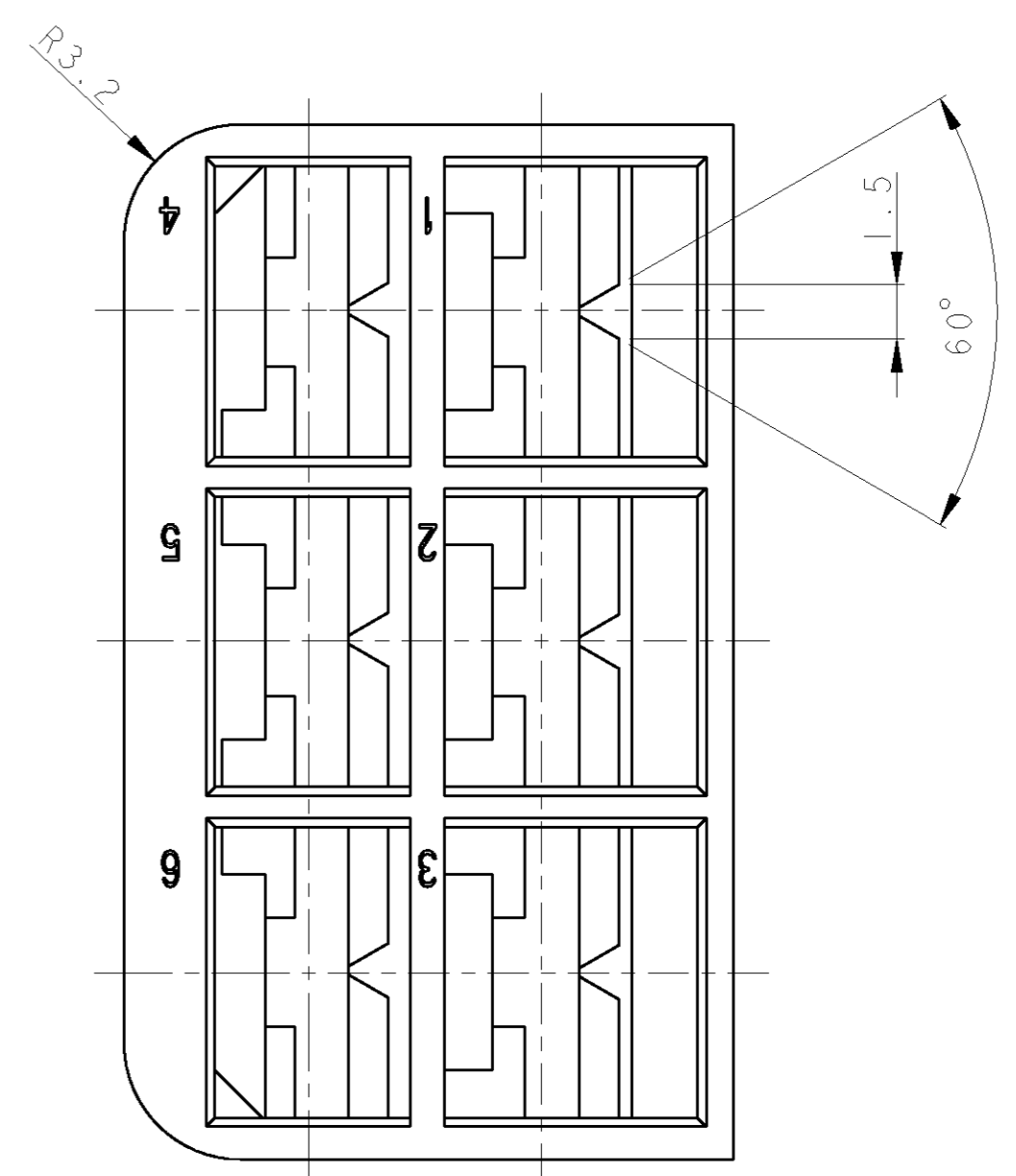
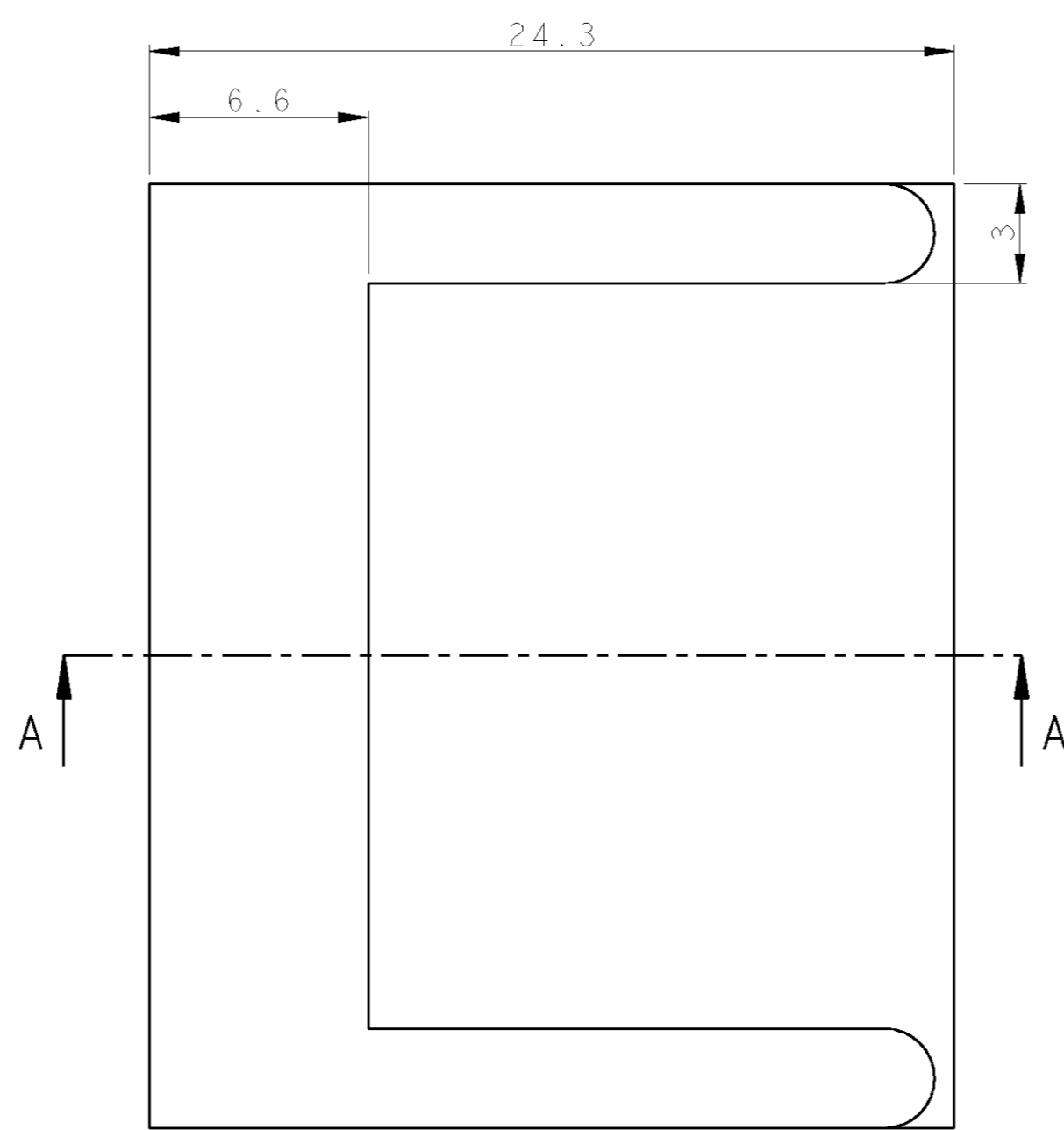
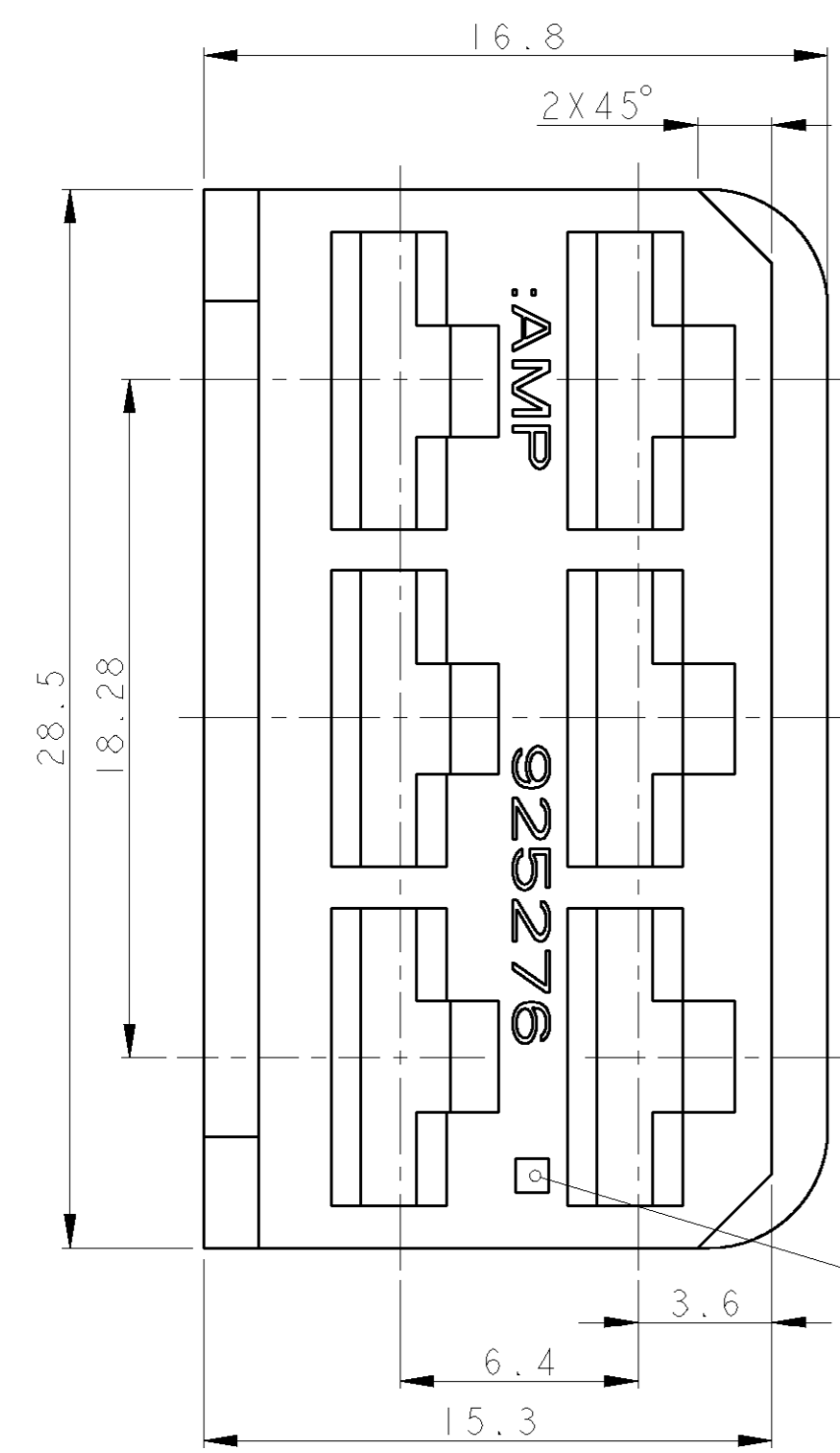
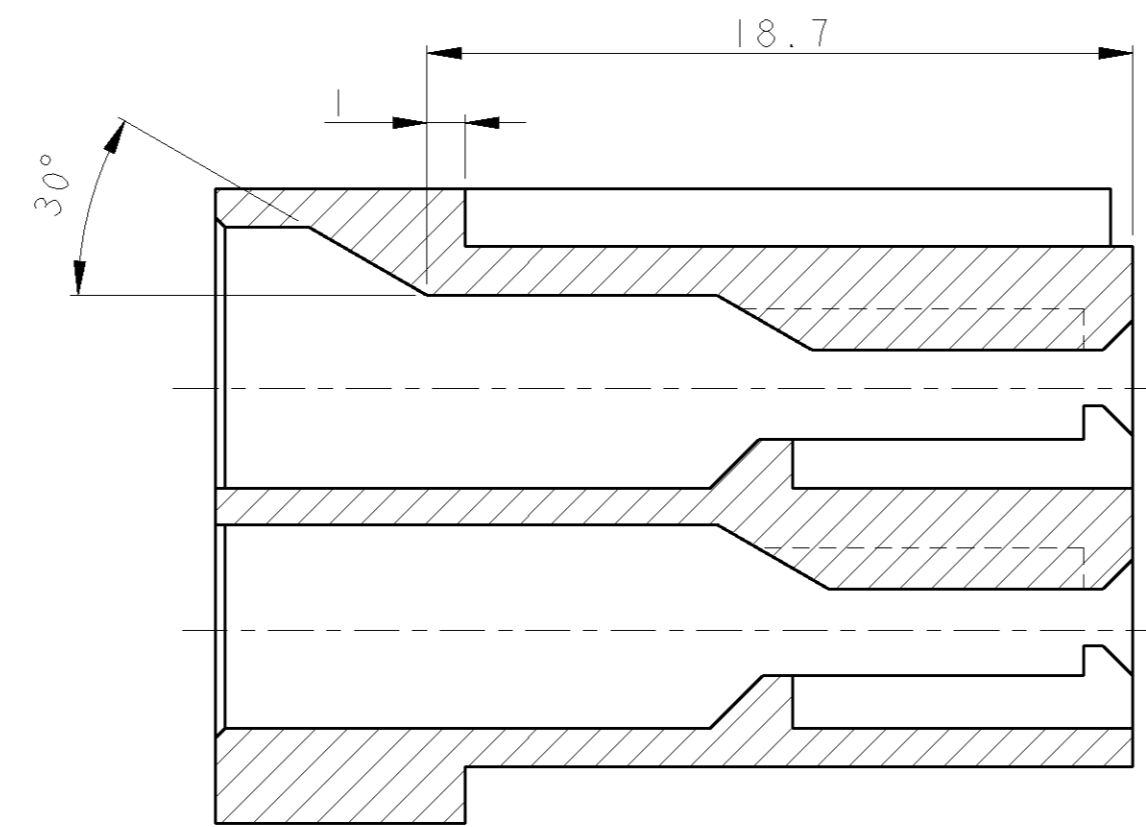


THIS DRAWING IS UNPUBLISHED.  
 VERBODEN DE VERPUBLIJKEN DE ZEKUNING  
 RELEASED FOR PUBLICATION  
 FREI FUER VEROFFENTLICHUNG  
 BY TYCO ELECTRONICS CORPORATION. ALL RIGHTS RESERVED.  
 BY TYCO ELECTRONICS CORPORATION. ALLE RECHTE VORBEHALTEN

MATED WITH:  
 PASSEND ZU:

LOC	DIST	REVISIONS			
P	LTR	DESCRIPTION	DATE	DWN	APVD
A1	-	-3 GRUEN HINZU	05.08.84	-	-
		EG00-0896-98, NEW DWG.-FRAME	30JUN98	KBWWE	-
		SEE PCN EG00-2128-99-2	03NOV99	Holz	Schmidt

A - A



CVITY IDENTIFICATION  
 NESTMARKIERUNG

CUSTOMER PART NO.	AMP PART NO.	REV.	PCS.	MATERIAL	SURFACE COLOR	DESCRIPTION	ITEM NO
-	925276-3	E	I	PA 66	GRUEN	FF REC. HOUSING 6 POS.	1
-	925276-2	E	I	PA 66	GRAU	FF REC. HOUSING 6 POS.	1
-	925276-1	E	I	PA 66	SCHWARZ	FF REC. HOUSING 6 POS.	1
-	925276-0	E	I	PA 66	NATUR	FF REC. HOUSING 6 POS.	1

THIS DRAWING IS A CONTROLLED DOCUMENT FOR TYCO ELECTRONICS CORPORATION  
 IT IS SUBJECT TO CHANGE AND THE CONTROLLING ENGINEERING ORGANIZATION  
 SHOULD BE CONTACTED FOR THE LATEST REVISION.  
 DIESSES ZEICHNUNGSOKUMENT WIRD DURCH AMP INCORPORATED KONTROLLIERT.  
 ANDERUNGEN, DIE OBM TECHNISCHEN FORTSCHRITT DIEREN, SIND VORBEHALTEN.  
 DEN JEWEILS LETZTGEFALLENEN AENDERUNGSSTAND ERFAHREN SIE AUF ANFRAGE.

DIMENSIONS:  
 MASSE IN HEITEN:  
 mm

TOLERANCES UNLESS  
 OTHERWISE SPECIFIED:  
 ALLGEMEIN TOLERANZEN

0 PLC ±  
 1 PLC ±0.4mm  
 2 PLC ±  
 3 PLC ±  
 4 PLC ±

ANGLES/WINKEL ±°  
 FINISH/OBERFLAECHE/FARBE  
 SEE TABLE

MATERIAL  
 SEE TABLE  
 siehe Tabelle

DWN Palmie 19OCT99  
 CHK Schmidt 19OCT99  
 APVD -  
 PRODUCT SPEC  
 PRODUKTSPEZ.  
 APPLICATION SPEC  
 VERARBEITUNGSSPEZ.

AMP Deutschland GmbH  
 D-63225 Langen  
 NAME  
 6.3 F.F. REC. HOUSING, 6 POS.  
 6.3 F.F. EMPFAENGERGEHAEUSE 6 POL.  
 SIZE CAGE CODE DRAWING NO.  
 A2 00779 925276  
 ZEICHNUNGS-NR.  
 RESTRICTED TO  
 NUR FUER  
 REVISION

CUSTOMER DRAWING /KUNDENZEICHNUNG  
 SCALE MASSSTAB 5:  
 SHEET BLATT OF VON REV E