



Chipsmall Limited consists of a professional team with an average of over 10 year of expertise in the distribution of electronic components. Based in Hongkong, we have already established firm and mutual-benefit business relationships with customers from,Europe,America and south Asia,supplying obsolete and hard-to-find components to meet their specific needs.

With the principle of “Quality Parts,Customers Priority,Honest Operation,and Considerate Service”,our business mainly focus on the distribution of electronic components. Line cards we deal with include Microchip,ALPS,ROHM,Xilinx,Pulse,ON,Everlight and Freescale. Main products comprise IC,Modules,Potentiometer,IC Socket,Relay,Connector.Our parts cover such applications as commercial,industrial, and automotives areas.

We are looking forward to setting up business relationship with you and hope to provide you with the best service and solution. Let us make a better world for our industry!



Contact us

Tel: +86-755-8981 8866 Fax: +86-755-8427 6832

Email & Skype: info@chipsmall.com Web: www.chipsmall.com

Address: A1208, Overseas Decoration Building, #122 Zhenhua RD., Futian, Shenzhen, China



4

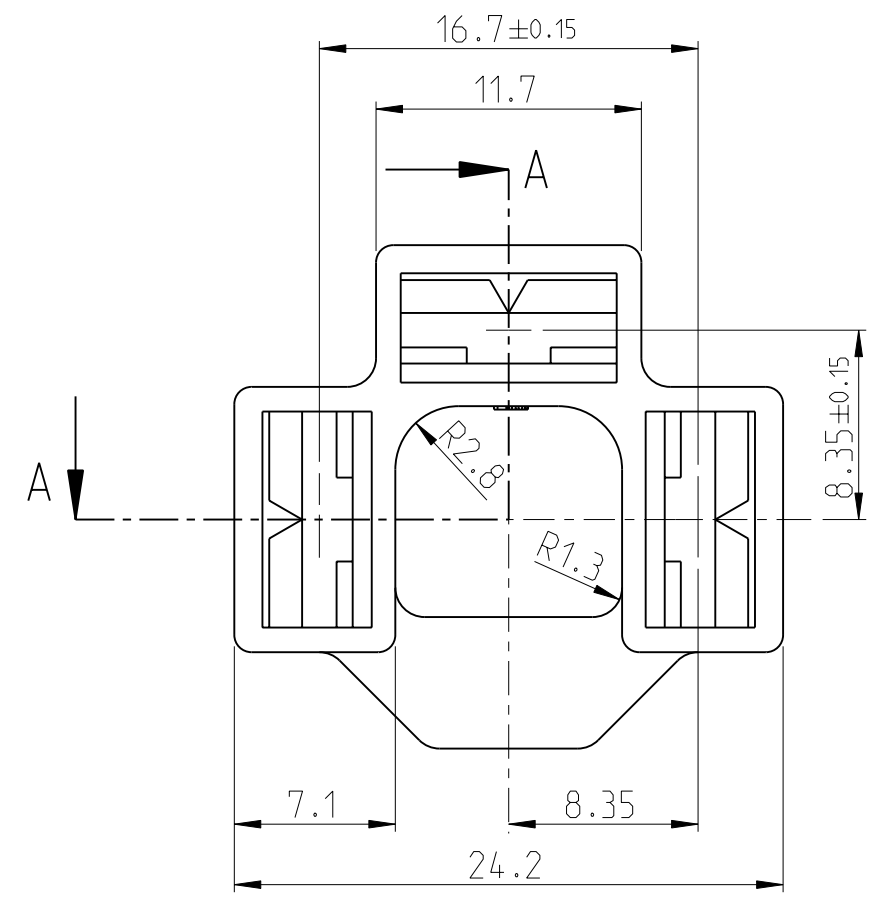
3

2

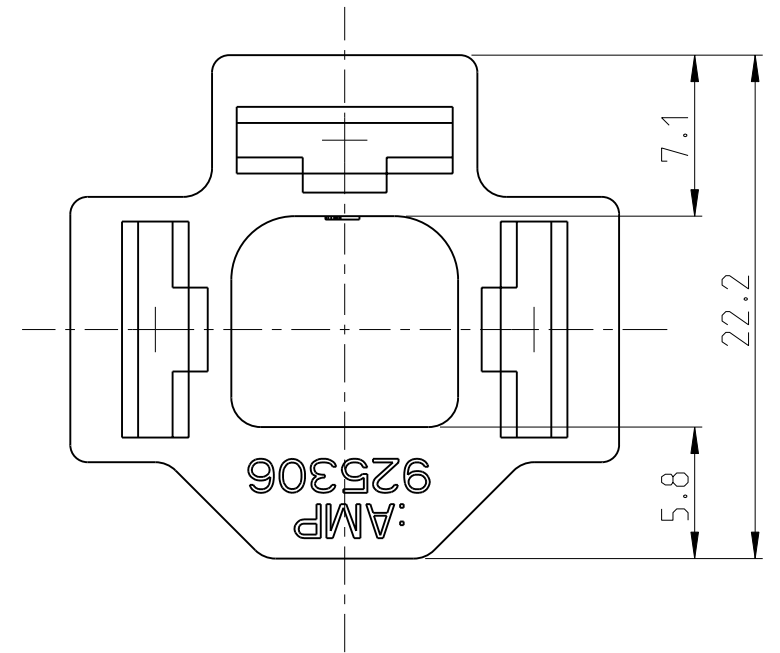
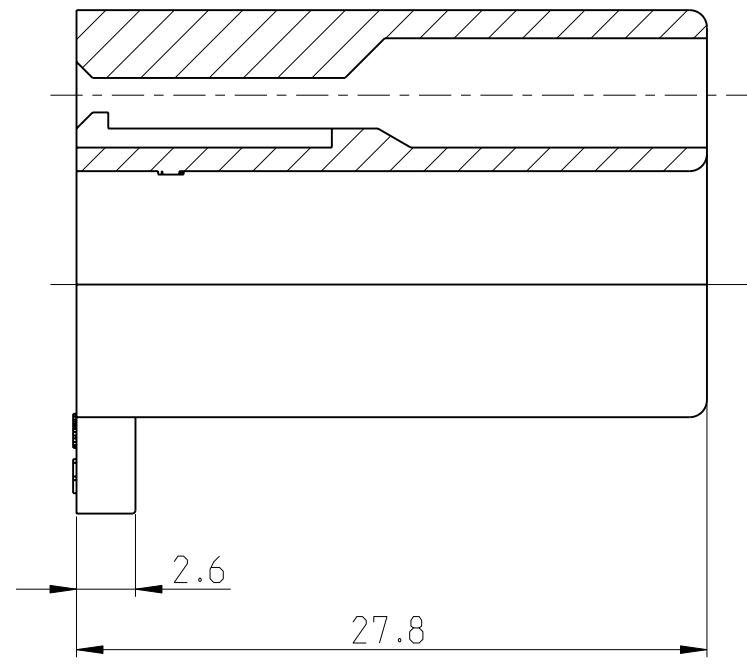
1

THIS DRAWING IS UNPUBLISHED. RELEASED FOR PUBLICATION 2011
 © COPYRIGHT 2011 ALL RIGHTS RESERVED.

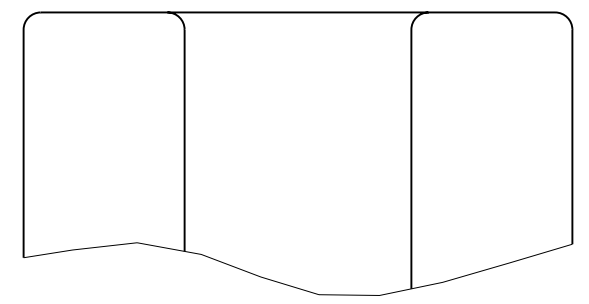
LOC	DIST	REVISIONS				
P	LTR	DESCRIPTION	DATE	DWN	APVD	
IR	-	D3	REDRAWN IN CAD AND PITCH TOLERANCE INCREASED	04JAN2012	PKS	RRP



A-A


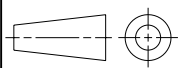


X ↑



VIEW X

D	925306-3	PA 66	BLACK
D	925306-2	PA 66	NATURAL
REV	P/N	MATERIAL	FINISH

THIS DRAWING IS A CONTROLLED DOCUMENT.		DWN	SENTHIL	09DEC2011	 TE Connectivity	
DIMENSIONS: mm		CHK	SENTHIL	09DEC2011		
		APVD	RAJENRDA	12DEC2011		
TOLERANCES UNLESS OTHERWISE SPECIFIED:		PRODUCT SPEC		NAME		
0 PLC	±0.2	-		3 POL. FASTIN-FASTON		
1 PLC	±0.2	APPLICATION SPEC		STECKHUELSENGEHAUSE SERIE 8.0		
2 PLC	±0.2	-		SIZE	CAGE CODE	DRAWING NO
3 PLC	±	WEIGHT		A3	00779	©=925306
4 PLC	±	CUSTOMER DRAWING		SCALE		SHEET
ANGLES	±1°	-		3:1		1 OF 1
FINISH	SEE TABLE	-		REV		D3