



Chipsmall Limited consists of a professional team with an average of over 10 year of expertise in the distribution of electronic components. Based in Hongkong, we have already established firm and mutual-benefit business relationships with customers from,Europe,America and south Asia,supplying obsolete and hard-to-find components to meet their specific needs.

With the principle of “Quality Parts,Customers Priority,Honest Operation,and Considerate Service”,our business mainly focus on the distribution of electronic components. Line cards we deal with include Microchip,ALPS,ROHM,Xilinx,Pulse,ON,Everlight and Freescale. Main products comprise IC,Modules,Potentiometer,IC Socket,Relay,Connector.Our parts cover such applications as commercial,industrial, and automotives areas.

We are looking forward to setting up business relationship with you and hope to provide you with the best service and solution. Let us make a better world for our industry!



## Contact us

Tel: +86-755-8981 8866 Fax: +86-755-8427 6832

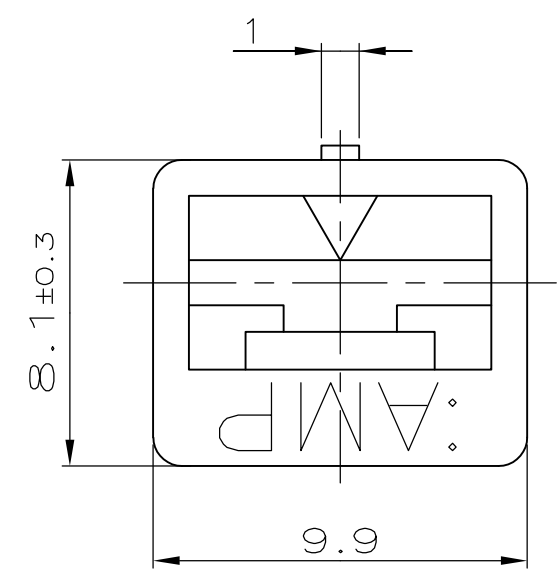
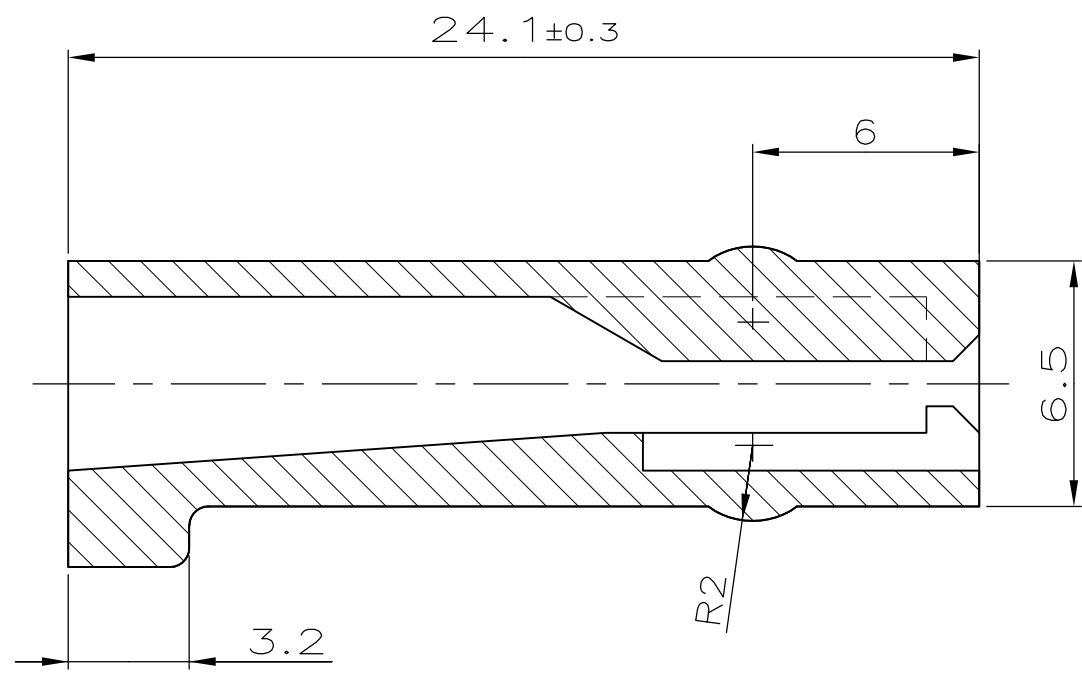
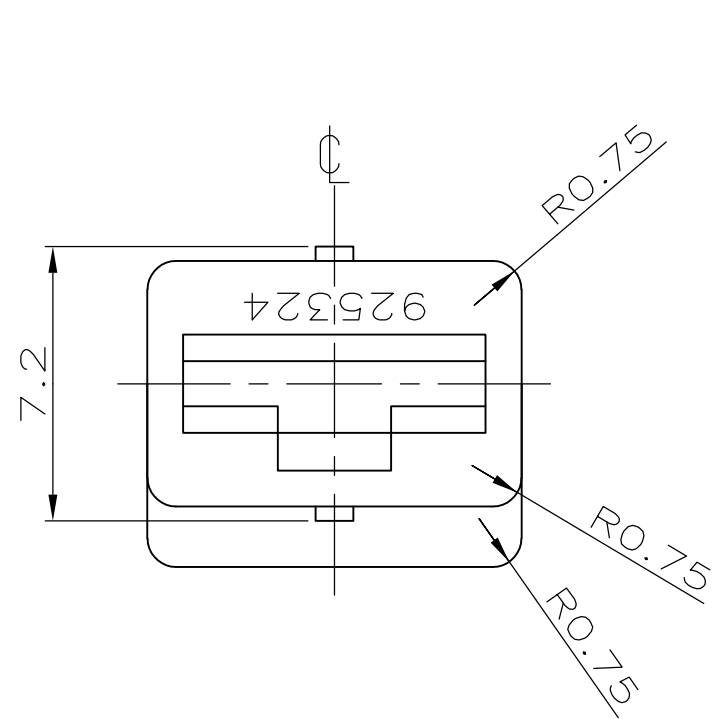
Email & Skype: info@chipsmall.com Web: www.chipsmall.com

Address: A1208, Overseas Decoration Building, #122 Zhenhua RD., Futian, Shenzhen, China




THIS DRAWING IS UNPUBLISHED. VERTRAULICHE UNVERÖFFENTLICHTE ZEICHNUNG  
 RELEASED FOR PUBLICATION FREI FUER VERÖFFENTLICHUNG  
 ALL RIGHTS RESERVED. ALLE RECHTE VORBEHALTEN  
 MATED WITH: PASSEND ZU: -

LOC A1	DIST -	P	LTR	REVISIONS ÄNDERUNGEN DESCRIPTION BESCHREIBUNG	DATE	DWN	APVD
PROJECT NR.;	-	B1	REVISED PER ECO-11-005150	21MAR11	RK	HMR	



NICHT VERMABTE RADIIEN R0.5

925324-3	B	POLYAMID 6.6	ROT
925324-2	B	POLYAMID 6.6	NATUR
925324-1	B	POLYAMID 6.6	SCHWARZ
TEIL-NR.	REV.	WERKSTOFF	OBERFLÄCHE FARBE

THIS DRAWING IS A CONTROLLED DOCUMENT. DIESE ZEICHNUNG IST EIN KONTROLLIERTES DOKUMENT.		DWN JOHN 27.06.74	 TE Connectivity 1POL. FASTIN-FASTON REC. GEHAEUSE FUER 6.3 SERIE			
DIMENSIONS: DIMENSIONEN mm		CHK L.NIX 28.06.74				NAME
TOLERANCES UNLESS OTHERWISE SPECIFIED: ALLGEMEINTOLERANZEN		APVD -				SIZE
0 PLC ± - 1 PLC ± 0.4 2 PLC ± - 3 PLC ± - 4 PLC ± - ANGLES / WINKEL ± -		PRODUCT SPEC PRODUKTSPEZ. -				CAGE CODE
MATERIAL		APPLICATION SPEC VERARBEITUNGSSPEZ. -	DRAWING NO ZEICHNUNGS-NR. G-925324	RESTRICTED TO NUR FUER -		
FINISH/OBERFLAECHE/FARBE		WEIGHT GEWICHT -	SCALE MASSTAB 5:1	SHEET BLATT 1 OF 1	REV B1	
CUSTOMER DRAWING/KUNDENZEICHNUNG						