

Chipsmall Limited consists of a professional team with an average of over 10 year of expertise in the distribution of electronic components. Based in Hongkong, we have already established firm and mutual-benefit business relationships with customers from,Europe,America and south Asia,supplying obsolete and hard-to-find components to meet their specific needs.

With the principle of “Quality Parts,Customers Priority,Honest Operation,and Considerate Service”,our business mainly focus on the distribution of electronic components. Line cards we deal with include Microchip,ALPS,ROHM,Xilinx,Pulse,ON,Everlight and Freescale. Main products comprise IC,Modules,Potentiometer,IC Socket,Relay,Connector.Our parts cover such applications as commercial,industrial, and automotives areas.

We are looking forward to setting up business relationship with you and hope to provide you with the best service and solution. Let us make a better world for our industry!



Contact us

Tel: +86-755-8981 8866 Fax: +86-755-8427 6832

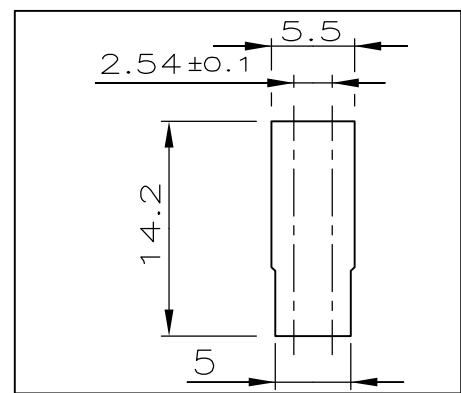
Email & Skype: info@chipsmall.com Web: www.chipsmall.com

Address: A1208, Overseas Decoration Building, #122 Zhenhua RD., Futian, Shenzhen, China

THIS DRAWING IS UNPUBLISHED. RELEASED FOR PUBLICATION
 © COPYRIGHT - By - ALL RIGHTS RESERVED.

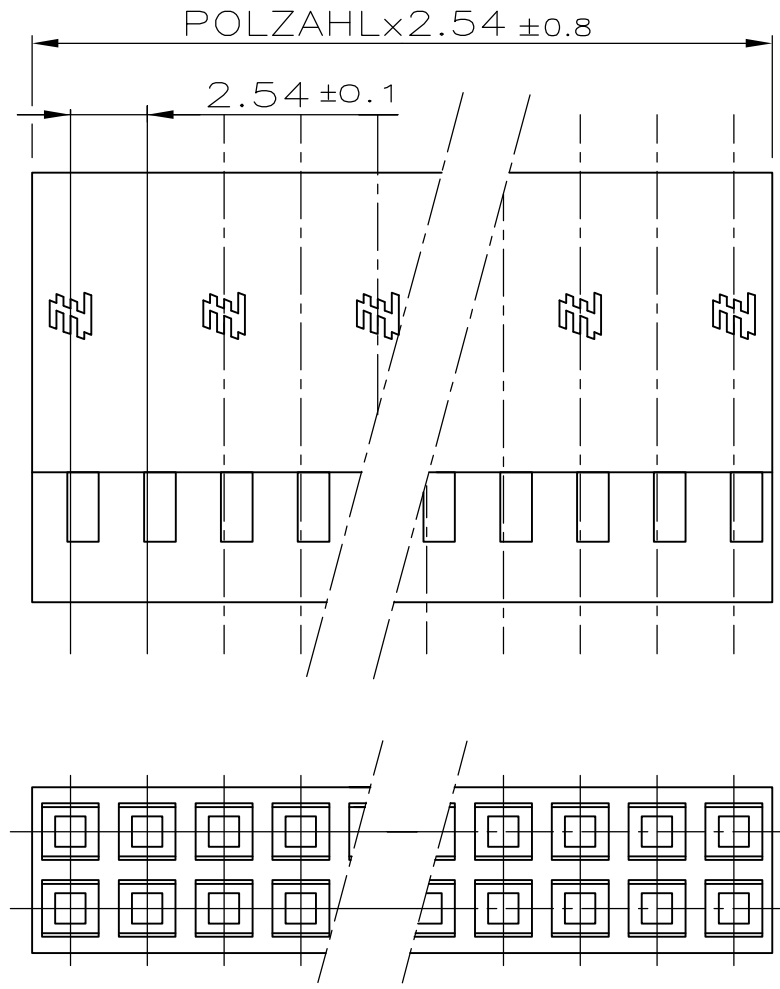
LOC		DIST		REVISIONS			
P	LTR	DESCRIPTION		DATE	DWN	APVD	
	Z1	LOGO DETAILS UPDATE		01OCT2012	SP	RP	

GEGENSTECKER/KONTAKT:
 MATED WITH: 826 632 167 301-4
 NUMBER 925367
 VERWENDET FÜR E 92-9802
 WAR NR. -



ZWEIREIHIG

POLZ. PRO REIHE	L ± 0.8	BESTELL-NR.
-	-	-
2	5.08	925 367 -2
3	7.62	-3
4	10.16	-4
5	12.70	-5
6	15.24	-6
7	17.78	-7
8	20.32	-8
9	22.86	-9
10	25.40	1-
11	27.94	-1
12	30.48	1-
13	33.02	-1
14	35.56	-1
15	38.10	-1
16	40.64	-1
17	43.18	1-
18	45.72	1-
19	48.26	-1
20	50.80	2-
21	53.34	-2
22	55.88	2-
23	58.42	-2
24	60.96	-2
25	63.50	-2
26	66.04	-2
27	68.58	-2
28	71.12	-2
29	73.66	-2
30	76.20	3-
31	78.74	-3
32	81.28	-3
33	83.82	-3
34	86.36	-3
35	88.90	-3
36	91.44	-3
37	93.98	-3
38	96.52	-3
39	99.06	-3
40	101.60	-4
41	104.14	-4
42	106.68	-4
43	109.22	-4
44	111.76	-4
45	114.30	-4
46	116.84	-4
47	119.38	-4
48	121.92	-4
49	124.46	-4
50	127.00	5- 925 367 -0



1 OBSOLETE PARTS: OBSOLETE CIS STREAMLINING PER D.RENAUD/D.SINISI

ZEICHNUNG GÜLTIG AB KW 32./95

polyamid	GRÜN RAL 6011
WERKSTOFF	OBERFLÄCHE FARBE

THIS DRAWING IS A CONTROLLED DOCUMENT.	
DIMENSIONS: mm	TOLERANCES UNLESS OTHERWISE SPECIFIED: ±0.2mm
	0 PLC ± -
	1 PLC ± -
	2 PLC ± -
	3 PLC ± -
	4 PLC ± -
	ANGLES ± -
MATERIAL	FINISH
-	-

DWN DAHLHEIMER 05.12.75	STE TE Connectivity	
CHK KREPP	NAME	
APVD	AMPMODU IV GEHAEUSE ZWEIREIHIG	
PRODUCT SPEC	SIZE	CAGE CODE
APPLICATION SPEC	A3	00779
	DRAWING NO	RESTRICTED TO
	C-925367	-
WEIGHT	SCALE	SHEET
-	2:1	1 OF 1
CUSTOMER DRAWING	REV	Z1