



Chipsmall Limited consists of a professional team with an average of over 10 year of expertise in the distribution of electronic components. Based in Hongkong, we have already established firm and mutual-benefit business relationships with customers from,Europe,America and south Asia,supplying obsolete and hard-to-find components to meet their specific needs.

With the principle of “Quality Parts,Customers Priority,Honest Operation,and Considerate Service”,our business mainly focus on the distribution of electronic components. Line cards we deal with include Microchip,ALPS,ROHM,Xilinx,Pulse,ON,Everlight and Freescale. Main products comprise IC,Modules,Potentiometer,IC Socket,Relay,Connector.Our parts cover such applications as commercial,industrial, and automotives areas.

We are looking forward to setting up business relationship with you and hope to provide you with the best service and solution. Let us make a better world for our industry!



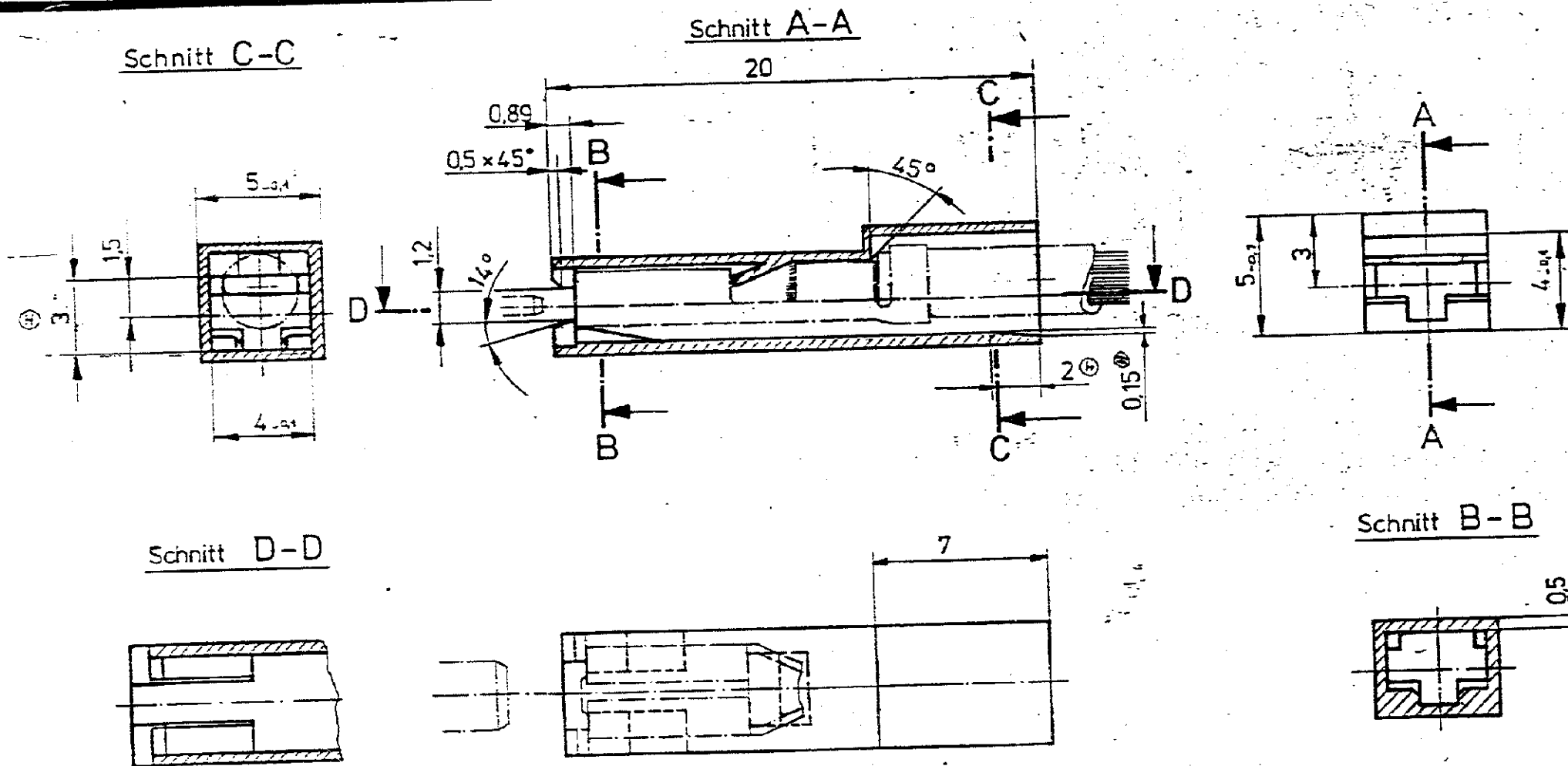
## Contact us

Tel: +86-755-8981 8866 Fax: +86-755-8427 6832

Email & Skype: info@chipsmall.com Web: www.chipsmall.com

Address: A1208, Overseas Decoration Building, #122 Zhenhua RD., Futian, Shenzhen, China





Zeichnung geschützt durch  
 © Copyright 1975  
 AMP DEUTSCHLAND GmbH  
 Alle Rechte vorbehalten

Maße ohne Toleranzangabe für Kunstst. 130 DIN 16901

-1 WIE GEZEICHNET

1 OBSOLETE PARTS: OBSOLETE CIS STREAMLINING  
 PER D.RENAUD/D.SINISI

1	OBSOLETE	925387-3	ULTEM 1000	SCHWARZ
		925 387-2	POLYKARBONAT 94 15/94 V-0	KLAR
		925 387-1	POLYAMID 6.6	KLAR
		NUMMER	MATERIAL	FARBE

GEHÄUSE FÜR FASTON:

- 160 615
- 160 555
- 160 303
- 160 534
- 180 423

NUMMER  
 C-925387  
 MASTER NUMMERN

J1	REV PER ECO-09-026444	KK AEG 28NOV89	20-28
H	-3 ADDED		
G	Maß 3 war 3,1. Maß 2 und 0,15 neu	3521	16.80
F	ÄNDERUNG LT. ECN		20.76
E	45° SCHRALE BILDSTRAGEN		
D	MATERIAL POLYKARBONAT ABBEG	753	72.876
C	NEUE ZEICHNUNG ERSTELLT	640	75.176
B	NEU GEZEICHNET	565	71.75
A	0,3 -> 0,5		
LTR	REVISION RECORD	ECN	DATE

CUSTOMER COPY & REFERENCE ONLY			
MATERIAL	DR 5.6.75 Dalkmann	APP	
HEAT TREAT	16.1.76 BzB		
COATING OR PLATING			
SCALE	NAME	LOC	NO
5:1	1 POL STECKHÜSENGEHÄUSE für 2.8 FASTON	A	C 925387
			REV J1