



Chipsmall Limited consists of a professional team with an average of over 10 year of expertise in the distribution of electronic components. Based in Hongkong, we have already established firm and mutual-benefit business relationships with customers from,Europe,America and south Asia,supplying obsolete and hard-to-find components to meet their specific needs.

With the principle of “Quality Parts,Customers Priority,Honest Operation,and Considerate Service”,our business mainly focus on the distribution of electronic components. Line cards we deal with include Microchip,ALPS,ROHM,Xilinx,Pulse,ON,Everlight and Freescale. Main products comprise IC,Modules,Potentiometer,IC Socket,Relay,Connector.Our parts cover such applications as commercial,industrial, and automotives areas.

We are looking forward to setting up business relationship with you and hope to provide you with the best service and solution. Let us make a better world for our industry!



## Contact us

Tel: +86-755-8981 8866 Fax: +86-755-8427 6832

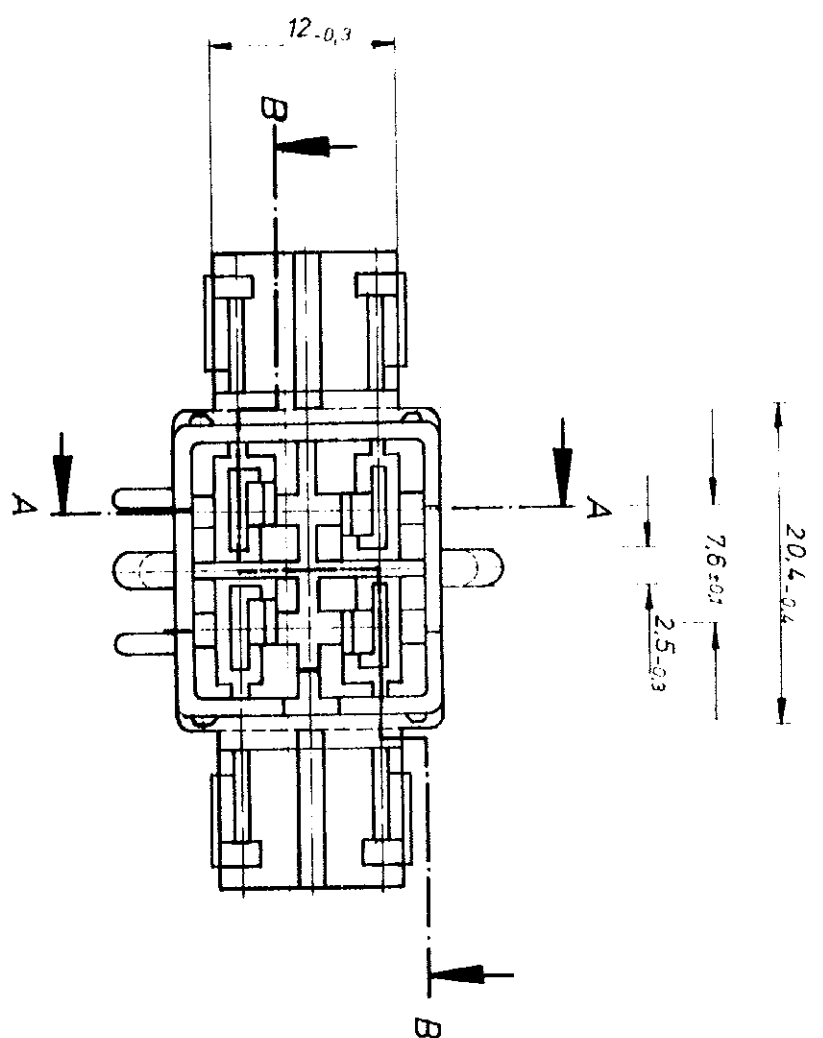
Email & Skype: info@chipsmall.com Web: www.chipsmall.com

Address: A1208, Overseas Decoration Building, #122 Zhenhua RD., Futian, Shenzhen, China

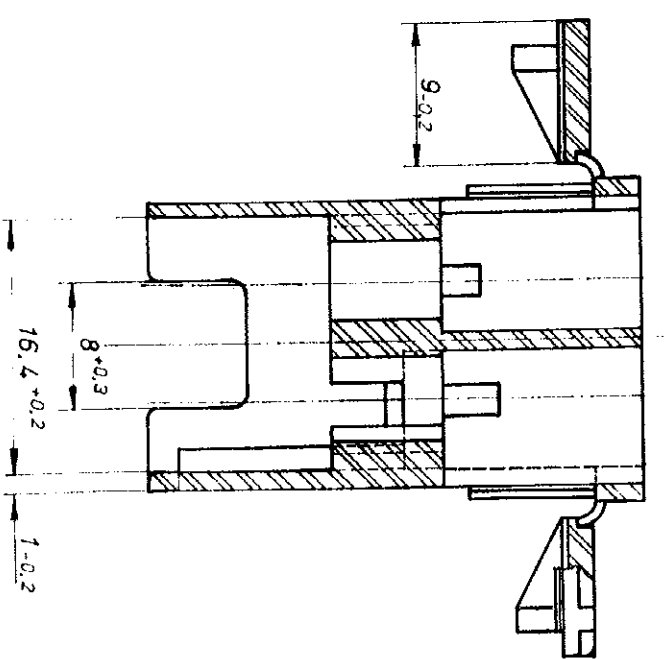


Zeichnung geschützt durch  
 © Copyright 1976  
 AMP DEUTSCHLAND GmbH  
 Alle Rechte vorbehalten

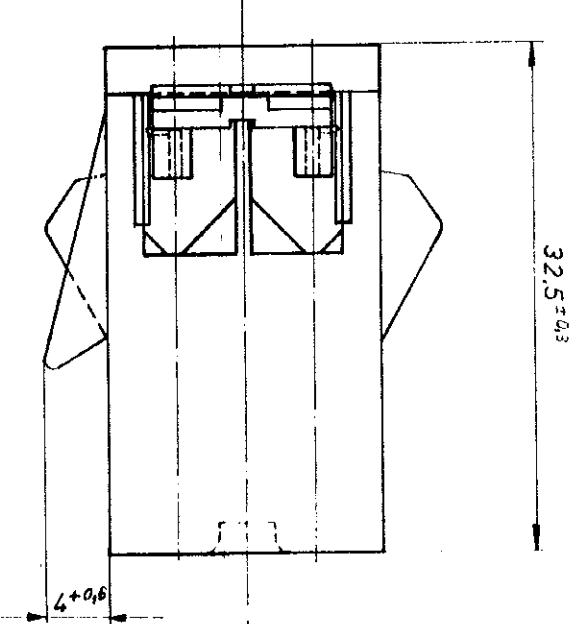
Rev.	Änderung	Datum	Ursache
A	- 2 und - 3 ergänzt	17.2.77	MMW
B	neu gezeichnet und überarbeitet	22.3.77	MMW
C	toleranz von Maß 12.0 <sup>+0.1</sup> war 17.7-0.5	22.04.77	MMW
D	toleranzmaß 83 <sup>+0.1</sup> in Schnitt A-A war 9.5 <sup>+0.1</sup>	02.04.77	MMW
E	material A 125 ersetzt durch Zytel 408	22.11.77	MMW
F	material A 125 ersetzt durch Zytel 408	9.2.78	MMW
G	- 4 ergänzt	23.7.84	MMW
H	60 NO 50 geändert	14.02.85	Schmid
I	- 5 hinzu	01.05.85	MMW



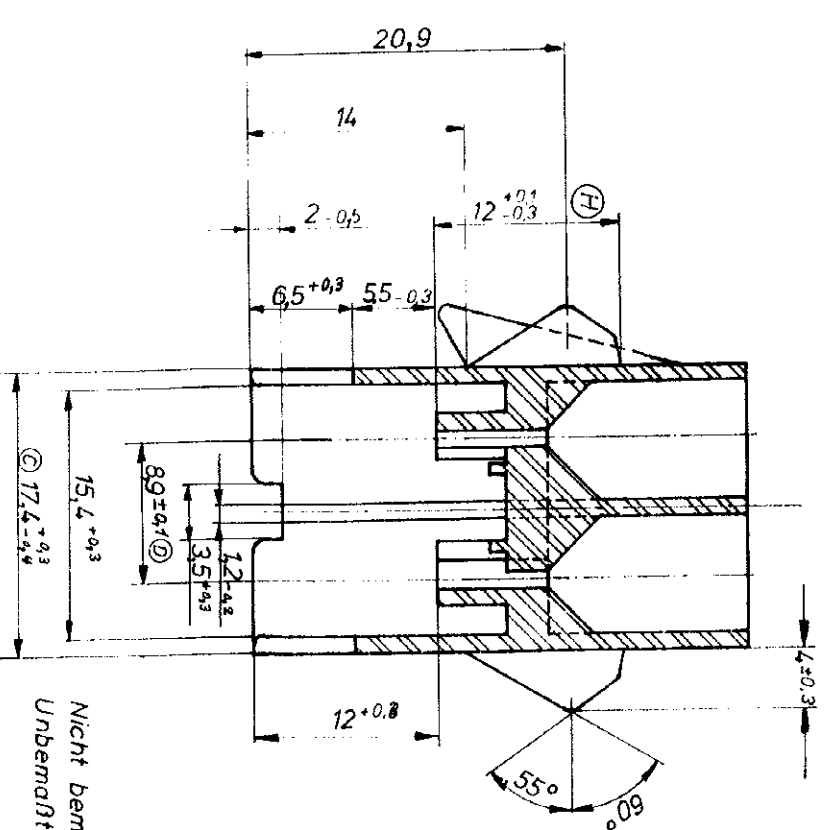
Schnitt B-B



ZEICHNUNG GÜLTIG AB .....



Schnitt A-A



Nicht bemalte Radien R 0,5  
 Unbemalte Wandstärken 1,0mm

Rev.	Änderung	Datum	Ursache
G	925 468-5 PA66 ZYTEL 408 blau	12.12.85	MMW
	925 468-4 PA66 ZYTEL 408 gelb	12.12.85	MMW
	925 468-3 PA66 ZYTEL 408 natur	12.12.85	MMW
	925 468-2 PA66 ZYTEL 408 rot	12.12.85	MMW
	925 468-1 PA66 ZYTEL 408 schwarz	12.12.85	MMW

Rev.	Änderung	Datum	Ursache
	0.2	12.12.85	MMW
	1.5	12.12.85	MMW
	3.1	12.12.85	MMW

AMP

4 pol. Klappgehäuse für POSITIVE MATE Flachstecker

C 925 468