



Chipsmall Limited consists of a professional team with an average of over 10 year of expertise in the distribution of electronic components. Based in Hongkong, we have already established firm and mutual-benefit business relationships with customers from,Europe,America and south Asia,supplying obsolete and hard-to-find components to meet their specific needs.

With the principle of “Quality Parts,Customers Priority,Honest Operation,and Considerate Service”,our business mainly focus on the distribution of electronic components. Line cards we deal with include Microchip,ALPS,ROHM,Xilinx,Pulse,ON,Everlight and Freescale. Main products comprise IC,Modules,Potentiometer,IC Socket,Relay,Connector.Our parts cover such applications as commercial,industrial, and automotives areas.

We are looking forward to setting up business relationship with you and hope to provide you with the best service and solution. Let us make a better world for our industry!



Contact us

Tel: +86-755-8981 8866 Fax: +86-755-8427 6832

Email & Skype: info@chipsmall.com Web: www.chipsmall.com

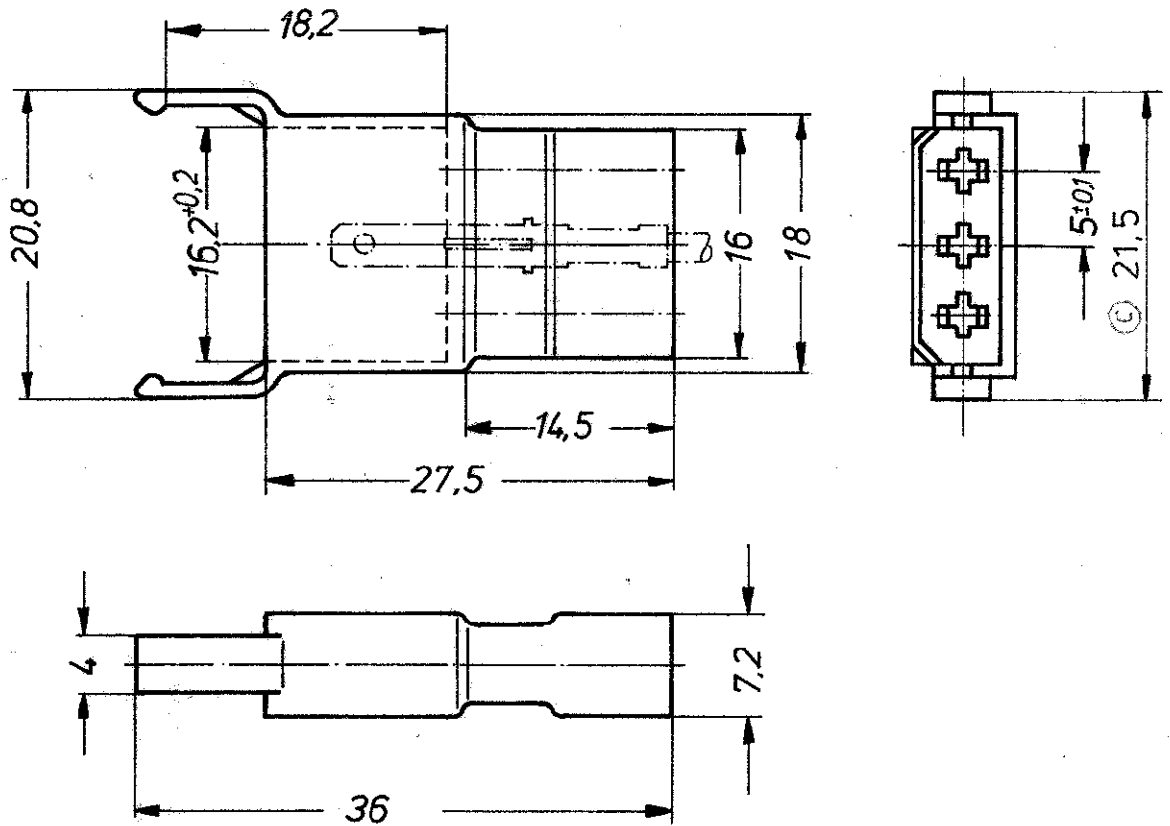
Address: A1208, Overseas Decoration Building, #122 Zhenhua RD., Futian, Shenzhen, China



Zeichnung geschützt durch
 © Copyright 1976
 AMP DEUTSCHLAND GmbH
 Alle Rechte vorbehalten

Index	Änderung	Tag	Name
A	925 475-3 hinzu	6.2.86	Stoff
B	Zytel 114 BK hinzu	25.07.88	Tekin
C	Maß 21,5 hinzu	23.01.1990	Tekin
C1	REV PER ECO-09-026444	28NOV09	KK AEG

Gegenstück
 925 015



1 OBSOLETE PARTS: OBSOLETE CIS STREAMLINING PER D.RENAUD/D.SINISI

Änderungen, die durch die
 Änderung des Produktdesigns
 bedingt sind, sind nicht
 zulässig.

			AMP AMP DEUTSCHLAND GmbH Langen b. Ffm.		
925 475-3 1	PA 6.6 Zytel 114 BK	rot	Benennung 3 pol. FF Flachstecker- gehäuse SERIE 2,8		
925 475-2	PA 6.6 Zytel 114 BK	schwarz			
925 475-1	PA 6.6 Zytel 114 BK	natur			
Bestell-Nr.	Werkstoff	Oberfläche Farbe	Nicht tolerierte Maße ± 0,4 mm ± 1,5 °	Format A	Zeichnungs-Nr. 925 475
Gez. 3-12-76 Ventral	Gepr. 11.07.76 Hewl	Gepr.	Maßstab 2:1	Blatt-Nr.	