



Chipsmall Limited consists of a professional team with an average of over 10 year of expertise in the distribution of electronic components. Based in Hongkong, we have already established firm and mutual-benefit business relationships with customers from,Europe,America and south Asia,supplying obsolete and hard-to-find components to meet their specific needs.

With the principle of “Quality Parts,Customers Priority,Honest Operation,and Considerate Service”,our business mainly focus on the distribution of electronic components. Line cards we deal with include Microchip,ALPS,ROHM,Xilinx,Pulse,ON,Everlight and Freescale. Main products comprise IC,Modules,Potentiometer,IC Socket,Relay,Connector.Our parts cover such applications as commercial,industrial, and automotives areas.

We are looking forward to setting up business relationship with you and hope to provide you with the best service and solution. Let us make a better world for our industry!



Contact us

Tel: +86-755-8981 8866 Fax: +86-755-8427 6832

Email & Skype: info@chipsmall.com Web: www.chipsmall.com

Address: A1208, Overseas Decoration Building, #122 Zhenhua RD., Futian, Shenzhen, China



THIS DRAWING IS UNPUBLISHED
 VERTRAULICHE UNVEROFFENTLICHTE ZEICHNUNG
 © COPYRIGHT 1977

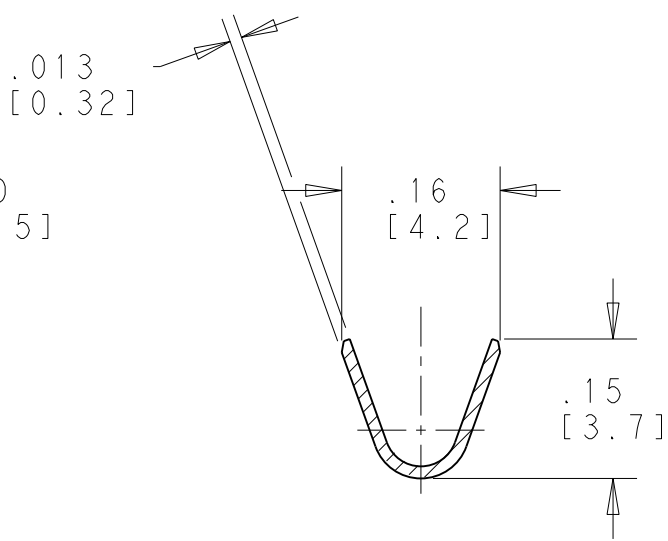
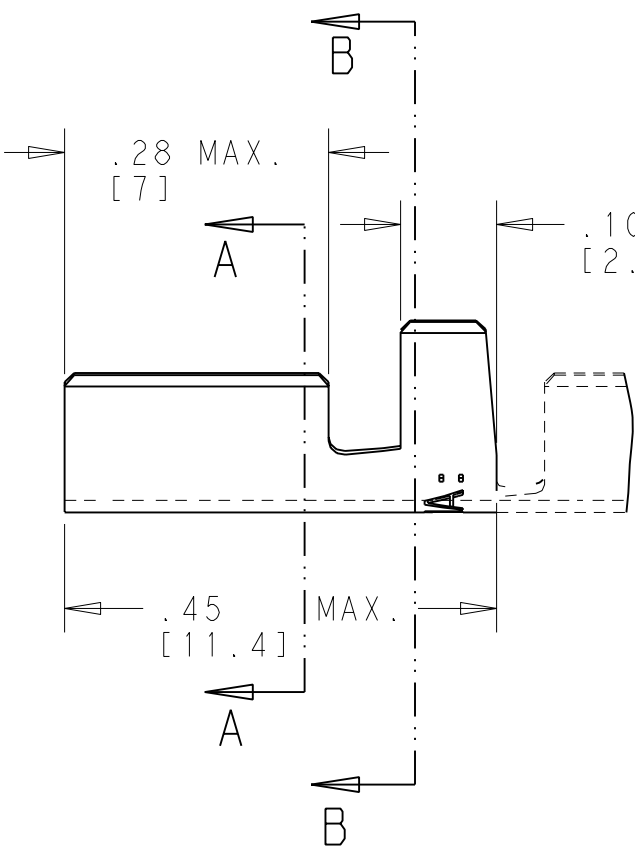
RELEASED FOR PUBLICATION
 FREI FUER VEROFFENTLICHUNG
 - 1977
 ALL RIGHTS RESERVED.
 ALLE INTERNATIONALEN RECHTE VORBEHALTEN.

MATED WITH:
 PASSEND ZU:

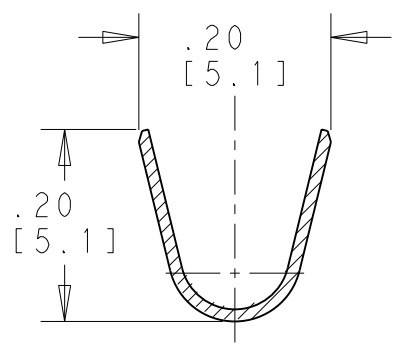
LOC AI
 DIST -
 PROJEKT NR.:

REVISIONS AENDERUNGEN		DATE	DWN	APVD
DESCRIPTION BESCHREIBUNG				
P	LTR			
	G3	28MAR2011	RK	HMR
REVISED PER ECO-11-005301				

SECTION A-A



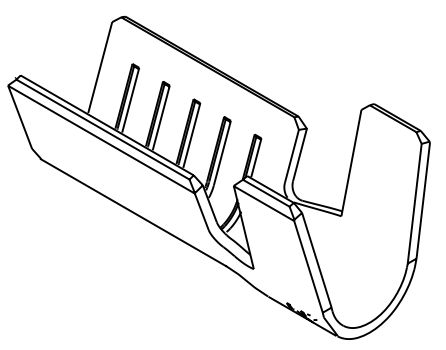
SECTION B-B



NOTES / ANMERKUNGEN:

- 1 NOT AVAILABLE
Nicht lieferbar
- 2 SPLICE FREE - EXECUTION
Streifen ohne unterbrechung - Ausführung
- 3 REELED WITH PAPER LAYER
Streifen mit papierzwischenlage gewickelt
- 4 PER DIN 46228
Nach DIN 46228
- 5 WIRE RANGE: 1.0 - 2.5 mm²
- 6 INSULATION RANGE: .100 - .150 (2.5 - 3.8 mm)

OBSOLETE		FINISH OBERFLAECHE	MATERIAL WERKSTOFF	PART NO BESTELL NR.
	2	POST TINNED / NACHVERZINNT	BRASS / MESSING	1 925553 4
OBSOLETE	2	BLANK	CuNi12Zn24	1 925553 3
	1 2	BLANK	STEEL / STAHL	1-925553-1
	2	PRE-TINNED / VORVERZINNT	CuSn4	1-925553-0
OBSOLETE	2	BLANK	CuSn4	925553 9
OBSOLETE	2	PRE-TINNED / VORVERZINNT	BRASS / MESSING	925553 8
	2	BLANK	BRASS / MESSING	925553-7
OBSOLETE	1	NICKEL / VERNICKELT	STEEL / STAHL	925553 6
	1	BLANK	STEEL / STAHL	925553-5
		PRE-TINNED / VORVERZINNT	CuSn4	925553-4
OBSOLETE		BLANK	CuSn4	925553 3
		PRE-TINNED / VORVERZINNT	BRASS / MESSING	925553-2
		BLANK	BRASS / MESSING	925553-1
		REMARKS / BEMERKUNGEN		



THIS DRAWING IS A CONTROLLED DOCUMENT. DIESES ZEICHNUNGSDOKUMENT WIRD DURCH AMP INCORPORATED KONTROLLIERT. AENDERUNGEN, DIE DEM TECHNISCHEN FORTSCHRITT DIENEN, SIND VORBEHALTEN. DEN JEWELIS LETZTGUELTIGEN AENDERUNGSSTAND ERFAHREN SIE AUF ANFRAGE.		DWN PAULUS 2.6.77	STE TE Connectivity	
DIMENSIONS: MASSEINHEITEN: Inch/mm		CHK EGE 3.6.77		
TOLERANCES UNLESS OTHERWISE SPECIFIED: ALLGEMEINTOLERANZEN		APVD -	NAME AUTOMACH. WIRE PIN	
0 PLC ± 1 PLC ± 2 PLC ± ±0.2 3 PLC ± 4 PLC ± ANGLES/WINKEL ±1°		PRODUCT SPEC PRODUKTSPEZ. -	SIZE A300779	
MATERIAL SEE TABLE / SIEHE TABELLE	FINISH/OBERFLAECHE/FARBE SEE TABLE / SIEHE TABELLE	APPLICATION SPEC VERARBEITUNGSSPEZ. -	DRAWING NO ZEICHNUNGS-NR. G-925553	RESTRICTED TO NUR FUER -
CUSTOMER DRAWING / KUNDENZEICHNUNG		WEIGHT GEWICHT -	SCALE MASSSTAB 5:1	SHEET BLATT 1 OF VON 1
				REV G3