

Chipsmall Limited consists of a professional team with an average of over 10 year of expertise in the distribution of electronic components. Based in Hongkong, we have already established firm and mutual-benefit business relationships with customers from,Europe,America and south Asia,supplying obsolete and hard-to-find components to meet their specific needs.

With the principle of “Quality Parts,Customers Priority,Honest Operation,and Considerate Service”,our business mainly focus on the distribution of electronic components. Line cards we deal with include Microchip,ALPS,ROHM,Xilinx,Pulse,ON,Everlight and Freescale. Main products comprise IC,Modules,Potentiometer,IC Socket,Relay,Connector.Our parts cover such applications as commercial,industrial, and automotives areas.

We are looking forward to setting up business relationship with you and hope to provide you with the best service and solution. Let us make a better world for our industry!



Contact us

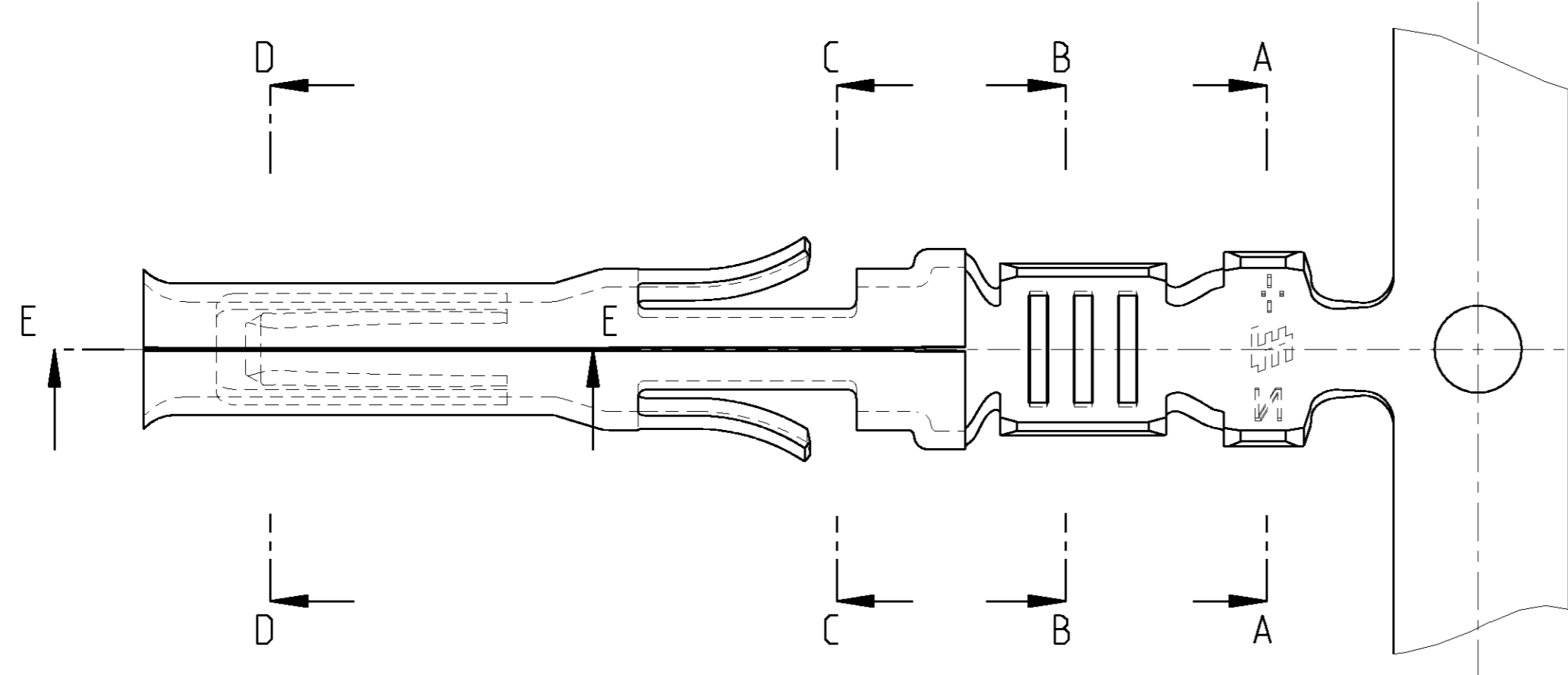
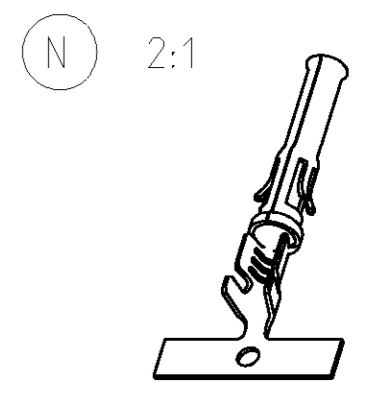
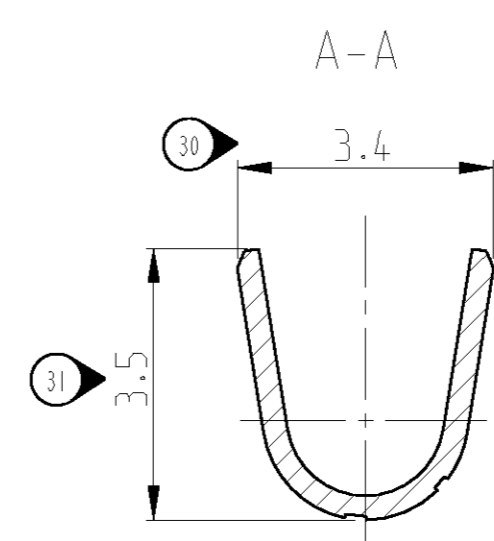
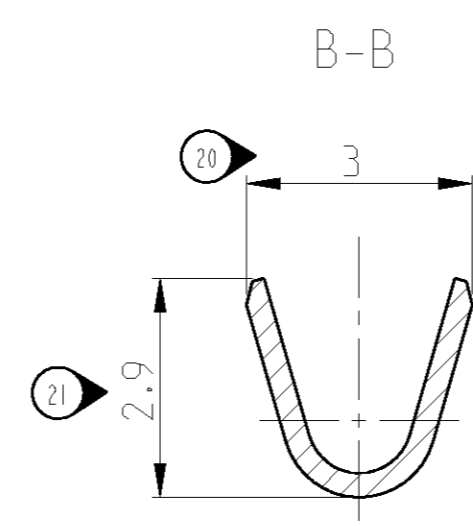
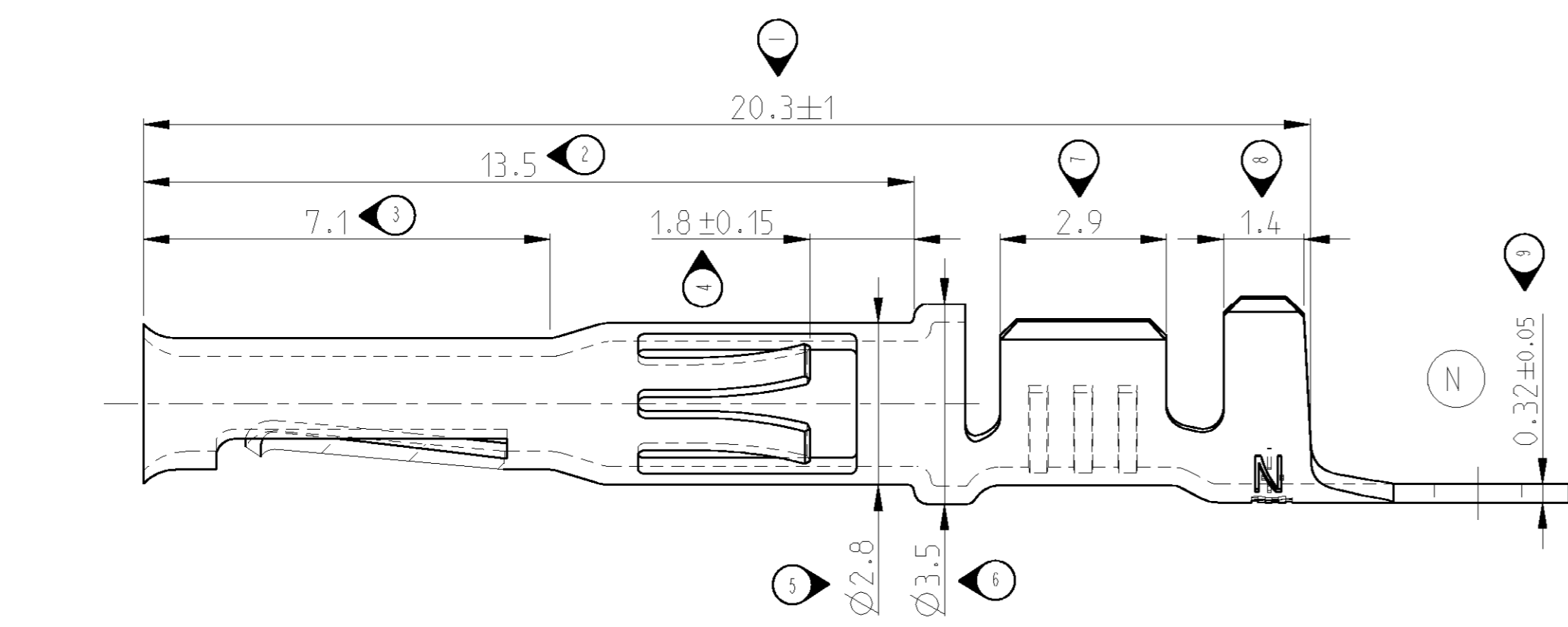
Tel: +86-755-8981 8866 Fax: +86-755-8427 6832

Email & Skype: info@chipsmall.com Web: www.chipsmall.com

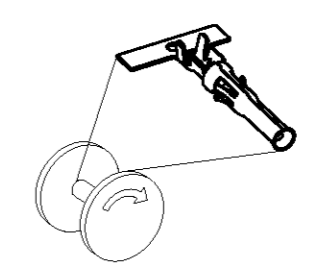
Address: A1208, Overseas Decoration Building, #122 Zhenhua RD., Futian, Shenzhen, China

THIS DRAWING IS UNPUBLISHED. RELEASED FOR PUBLICATION 2007
 © COPYRIGHT 2007 BY TYCO ELECTRONICS CORPORATION. ALL RIGHTS RESERVED.

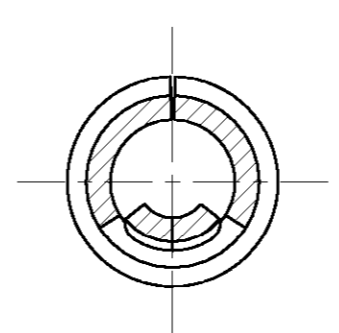
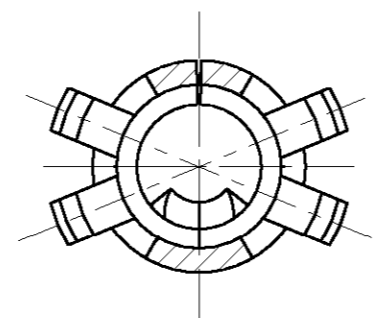
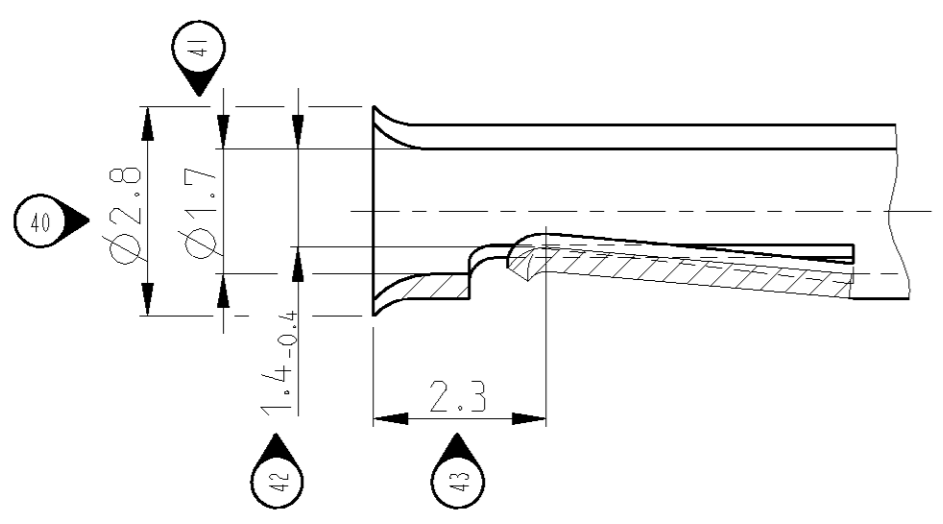
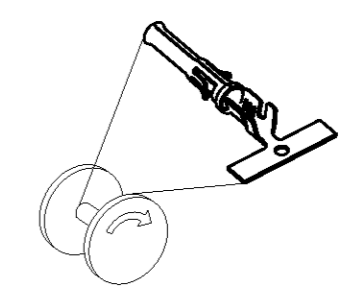
LOC	DIST	REVISIONS			
P	LTR	DESCRIPTION	DATE	DWN	APVD
	N	SEE ECR-07-011920	14JUN2007	TK	RVL



(N) REELING, DIRECTION OFF THE REEL



(N) REELING, DIRECTION OFF THE REEL



2.0-2.7	0.5-1.0	PRETINNED	CuZn30 R500	925601-1	N	2	925591-6
		PRETINNED	CuSn4 R520	925601-3	N	1	925591-3
		PRETINNED	CuZn30 R500	925601-1	N	1	925591-1
INSULATION RANGE Isolations- durchmesser	WIRE RANGE DGB [mm ²]	FINISH Oberfläche	MATERIAL	TYCO ORDER No. LOOSE PIECE Einzelauflöhrung	REV		TYCO ORDER No. STRIP FORM Bandware

THIS DRAWING IS A CONTROLLED DOCUMENT FOR TYCO ELECTRONICS CORPORATION IT IS SUBJECT TO CHANGE AND THE CONTROLLING ENGINEERING ORGANIZATION SHOULD BE CONTACTED FOR THE LATEST REVISION.

DWN: T.Konecny 10MAY2007
 CHK: J.Skoda 12JUN2007
 APVD: R.Vitek 14JUN2007

Tyco Electronics Tyco Electronics Czech s.r.o.
 CZ- K AMP 1293. 664 34 Kurim

NAME: CIC SOCKET CONTACT
 CIC Buchse

SIZE	CAGE CODE	DRAWING NO	RESTRICTED TO
A2	00779	925591	-

CUSTOMER DRAWING SCALE 10:1 SHEET 1 OF 1 REV N