



Chipsmall Limited consists of a professional team with an average of over 10 year of expertise in the distribution of electronic components. Based in Hongkong, we have already established firm and mutual-benefit business relationships with customers from,Europe,America and south Asia,supplying obsolete and hard-to-find components to meet their specific needs.

With the principle of “Quality Parts,Customers Priority,Honest Operation,and Considerate Service”,our business mainly focus on the distribution of electronic components. Line cards we deal with include Microchip,ALPS,ROHM,Xilinx,Pulse,ON,Everlight and Freescale. Main products comprise IC,Modules,Potentiometer,IC Socket,Relay,Connector.Our parts cover such applications as commercial,industrial, and automotives areas.

We are looking forward to setting up business relationship with you and hope to provide you with the best service and solution. Let us make a better world for our industry!



Contact us

Tel: +86-755-8981 8866 Fax: +86-755-8427 6832

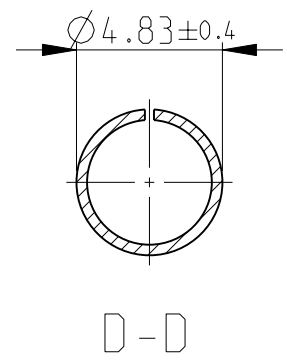
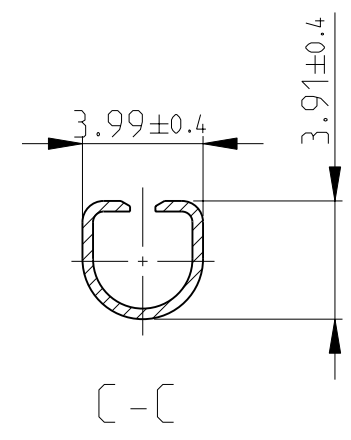
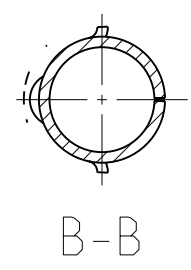
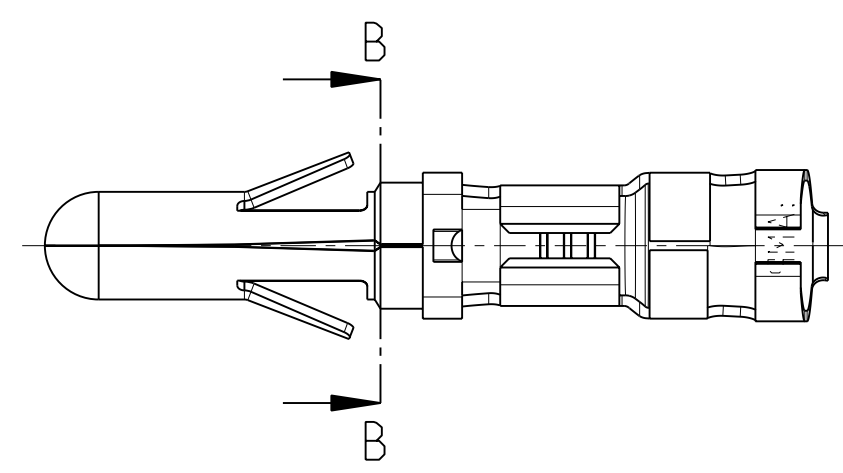
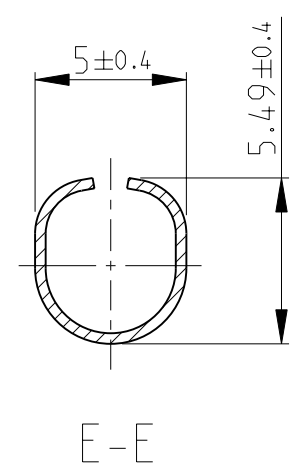
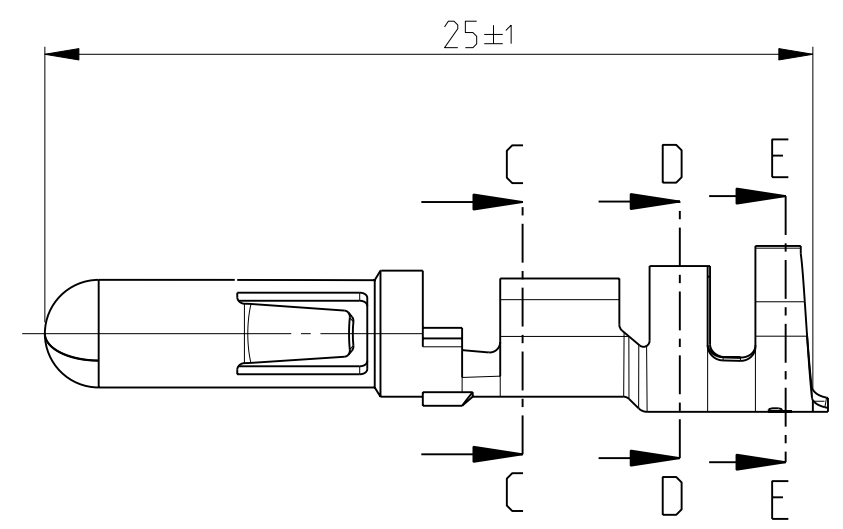
Email & Skype: info@chipsmall.com Web: www.chipsmall.com

Address: A1208, Overseas Decoration Building, #122 Zhenhua RD., Futian, Shenzhen, China



THIS DRAWING IS UNPUBLISHED. RELEASED FOR PUBLICATION 2008
 © COPYRIGHT 2008 BY TYCO ELECTRONICS CORPORATION. ALL RIGHTS RESERVED.

LOC	DIST	REVISIONS			
P	LTR	DESCRIPTION	DATE	DWN	APVD
AL	2	L	New drawing released	24NOV2008	J.S L.B
		L1	REVISED PER ECO-09-026495	17DEC2009	KK AEG



NOTE:
 1 OBSOLETE PARTS: OBSOLETE CIS STREAMLINING PER D.RENAUD/D.SINISI

1	OBSOLETE	2.1-4mm ²	max. 4.5mm	Plain	Phosphor Bronze	925662-4
		2.1-4mm ²	max. 4.5mm	Silver	Phosphor Bronze	925662-3
		2.1-4mm ²	max. 4.5mm	Pre-tin	Phosphor Bronze	925662-2
		2.1-4mm ²	max. 4.5mm	Pre-tin	Brass	925662-1
	DGB	Insulation Ø	Finish	Material	Loose piece no.	

<small>THIS DRAWING IS A CONTROLLED DOCUMENT FOR TYCO ELECTRONICS CORPORATION. IT IS SUBJECT TO CHANGE AND THE CONTROLLING ENGINEERING ORGANIZATION SHOULD BE CONTACTED FOR THE LATEST REVISION.</small>		DWN 24NOV2008 J. Salo		Tyco Electronics Corporation Barcelona, Spain.	
DIMENSIONS: mm		TOLERANCES UNLESS OTHERWISE SPECIFIED:		NAME .140 DIA PIN	
		0 PLØ ±- 1 P/C ±0.4 2 P/LC ±- 3 P/LC ±- 4 P/LC ±- ANGLES ±1° 30'		PRODUCT SPEC - APPLICATION SPEC - WEIGHT -	
MATERIAL see table		FINISH see table		SIZE A3 CAGE CODE - DRAWING NO ©=925662 RESTRICTED TO -	
CUSTOMER DRAWING				SCALE 4:1 SHEET 1 OF 1 REV L1	