



Chipsmall Limited consists of a professional team with an average of over 10 year of expertise in the distribution of electronic components. Based in Hongkong, we have already established firm and mutual-benefit business relationships with customers from,Europe,America and south Asia,supplying obsolete and hard-to-find components to meet their specific needs.

With the principle of “Quality Parts,Customers Priority,Honest Operation,and Considerate Service”,our business mainly focus on the distribution of electronic components. Line cards we deal with include Microchip,ALPS,ROHM,Xilinx,Pulse,ON,Everlight and Freescale. Main products comprise IC,Modules,Potentiometer,IC Socket,Relay,Connector.Our parts cover such applications as commercial,industrial, and automotives areas.

We are looking forward to setting up business relationship with you and hope to provide you with the best service and solution. Let us make a better world for our industry!



Contact us

Tel: +86-755-8981 8866 Fax: +86-755-8427 6832

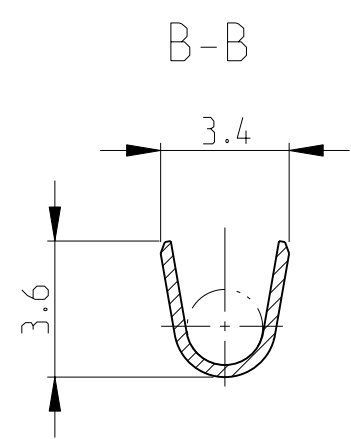
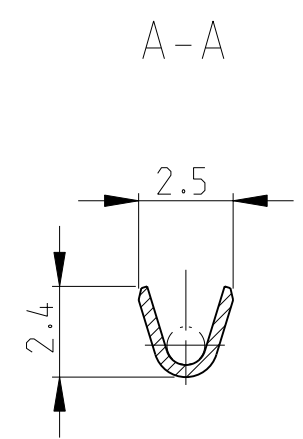
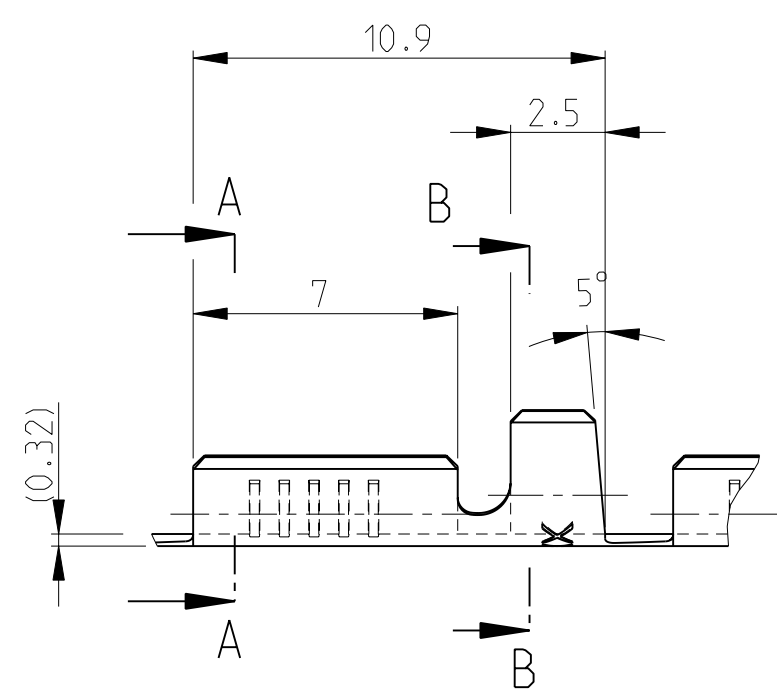
Email & Skype: info@chipsmall.com Web: www.chipsmall.com

Address: A1208, Overseas Decoration Building, #122 Zhenhua RD., Futian, Shenzhen, China



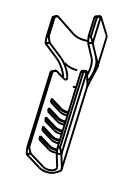
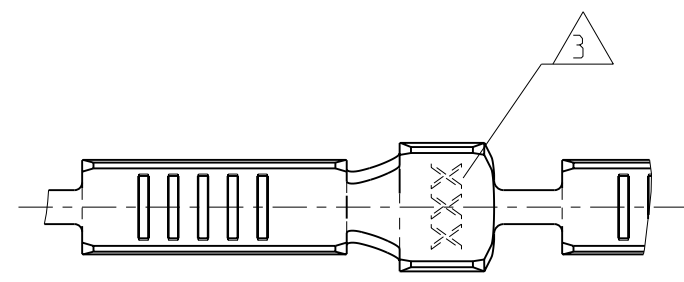
THIS DRAWING IS UNPUBLISHED. RELEASED FOR PUBLICATION 2009
 © COPYRIGHT 2009 BY TYCO ELECTRONICS CORPORATION. ALL RIGHTS RESERVED.

LOC	DIST	REVISIONS				
P	LTR	DESCRIPTION	DATE	DWN	APVD	
A1	-	G	NEW CAD DRAWING CREATED	12FEB2009	Abr	Goep
		G1	REVISED PER ECO-09-026495	14DEC09	KK	AEG

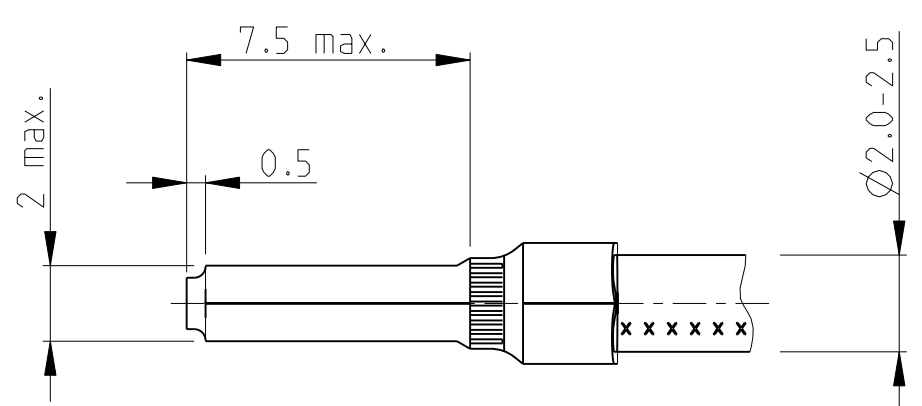


NOTES
Bemerkungen

- 1 TO REELED WITH PAPER
Streifen mit Papierzwischenlage gewickelt
- 2 SPLICE FREE VERSION
Streifen ohne Unterbrechung
- 3 COMPANY TRADEMARK
Firmen-Logo
- 4 OBSOLETE PARTS: OBSOLETE CIS STREAMLINING
PER D.RENAUD/D.SINISI



2:1



4 OBSOLETE	PRE TIN / vorverzinnt	CuZn30	925667-6	2	G
	PLAIN / blank	CuZn30	925667-5	2	G
	PRE TIN / vorverzinnt	CuZn30	925667-2		G
	PLAIN / blank	CuZn30	925667-1		G
	FINISH	MATERIAL	PART NO.	REV.	

DIMENSIONS:		TOLERANCES UNLESS OTHERWISE SPECIFIED:		DWN		Tyco Electronics		Tyco Electronics Corporation AMP GmbH	
mm		±0.2		12FEB2009		64625 Bensheim (Germany)		AUTOMACH. WIRE	
0 PLC ± 1 PLC ± 2 PLC ± 3 PLC ± 4 PLC ± ANGLES ±1°				CHK 13FEB2009		NAME		Ader Endhuelse	
MATERIAL -		FINISH -		APVD -		PRODUCT SPEC -		SIZE	
				APPLICATION SPEC -		WEIGHT 0.16 g		CAGE CODE A3 00779	
INSUL. RANGE Ø2.0-2.5 mm		WIRE RANGE 0.3-0.8 mm ²		RESTRICTED TO -		DRAWING NO. 925667		SCALE 5:1	
				CUSTOMER DRAWING		SHEET 1 OF 1		REV G1	