



Chipsmall Limited consists of a professional team with an average of over 10 year of expertise in the distribution of electronic components. Based in Hongkong, we have already established firm and mutual-benefit business relationships with customers from,Europe,America and south Asia,supplying obsolete and hard-to-find components to meet their specific needs.

With the principle of “Quality Parts,Customers Priority,Honest Operation,and Considerate Service”,our business mainly focus on the distribution of electronic components. Line cards we deal with include Microchip,ALPS,ROHM,Xilinx,Pulse,ON,Everlight and Freescale. Main products comprise IC,Modules,Potentiometer,IC Socket,Relay,Connector.Our parts cover such applications as commercial,industrial, and automotives areas.

We are looking forward to setting up business relationship with you and hope to provide you with the best service and solution. Let us make a better world for our industry!



## Contact us

Tel: +86-755-8981 8866 Fax: +86-755-8427 6832

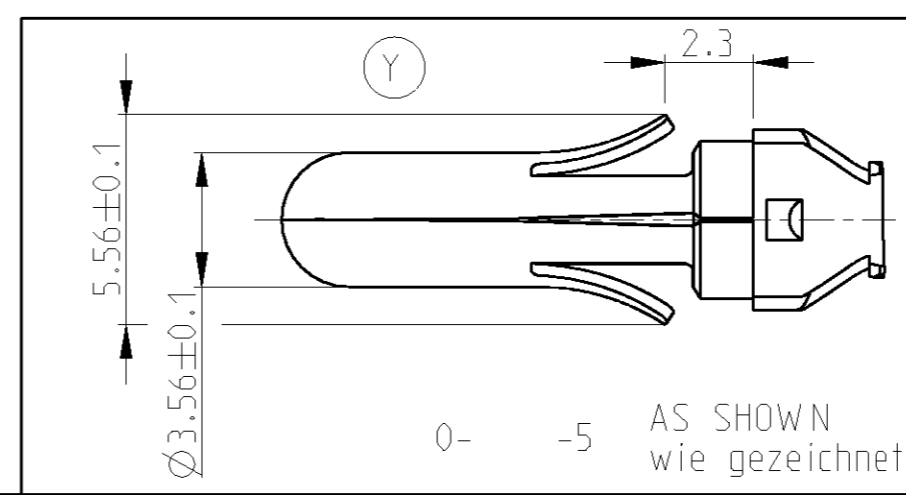
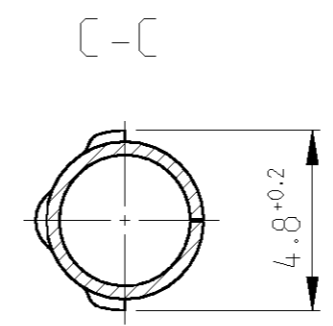
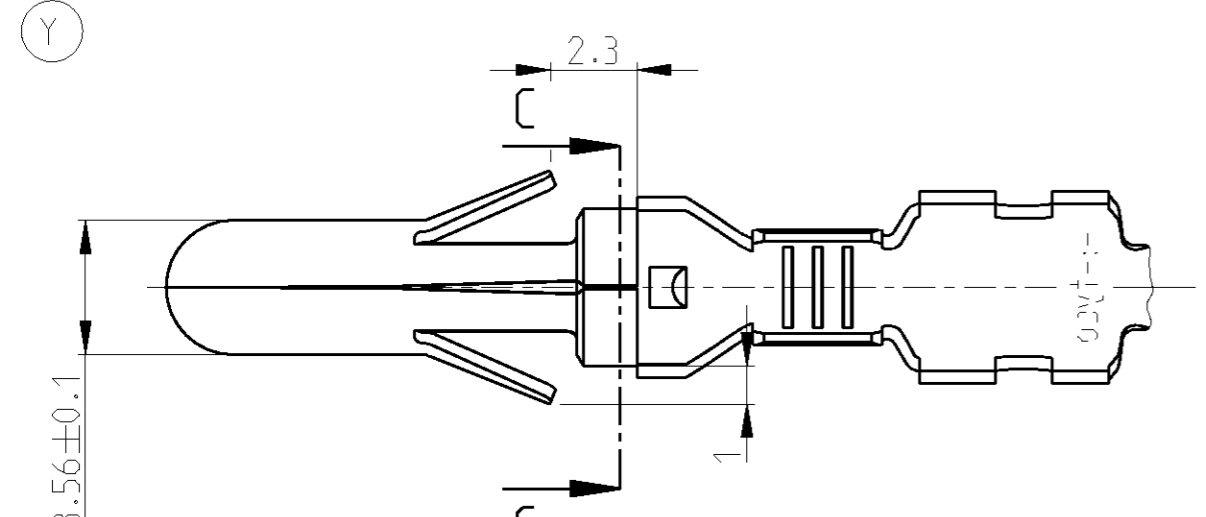
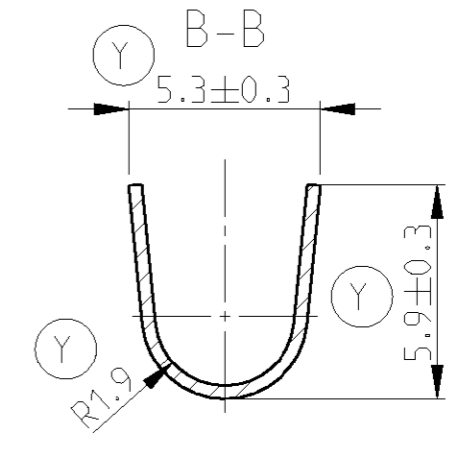
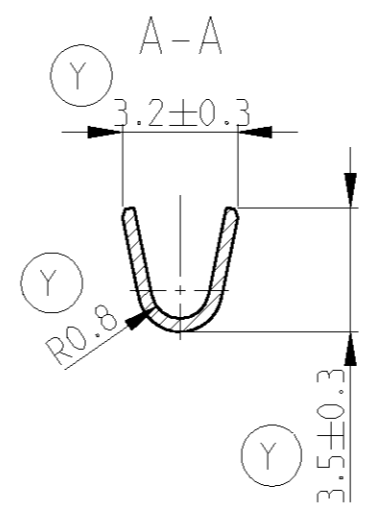
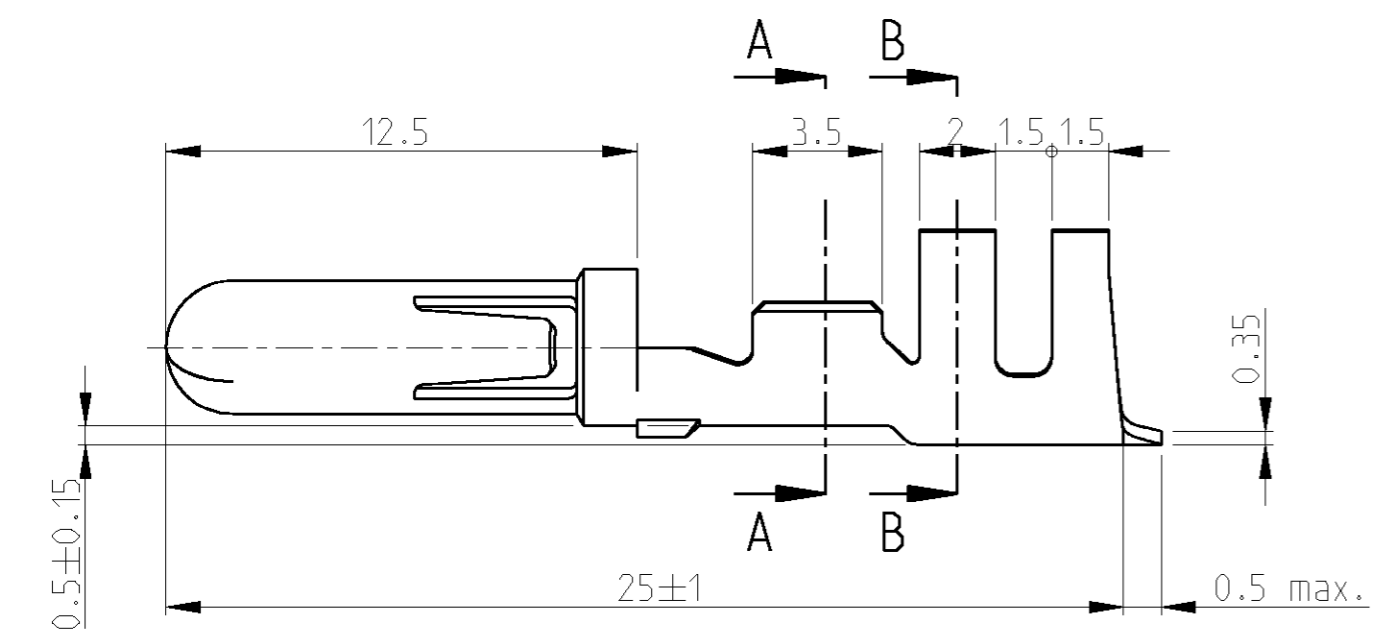
Email & Skype: info@chipsmall.com Web: www.chipsmall.com

Address: A1208, Overseas Decoration Building, #122 Zhenhua RD., Futian, Shenzhen, China



THIS DRAWING IS UNPUBLISHED. RELEASED FOR PUBLICATION  
 © COPYRIGHT BY ALL RIGHTS RESERVED.

LOC		DIST		REVISIONS			
GT		P	LTR	DESCRIPTION	DATE	DWN	APVD
		Y2		REVISED PER ECO-11-005301	14APR11	RK	HMR



Angeschlagener Leiter: FLK-Leitung  
 Leiter: F-Crimp  
 Isolation: F-Crimp

Leitungsquerschnitt in mm<sup>2</sup>  
 CROSS-SECTION IN mm<sup>2</sup>

	SINGLE CONNECTION Einzelanschlag	0.50	0.75	1.00	1.50	2.00	2.50	3.00	4.00	6.00
0.50	x	x	x	x	x					
0.75	x	x	x	x						
1.00	x	x	x	x						
1.50	x	x								
2.00										
2.50										
3.00										
4.00										
6.00										

0- -1,2,3,4,6,7 AS SHOWN wie gezeichnet  
 Drahtgrößenbereich: 0.5-2.0 mm<sup>2</sup>

**1** OBSOLETE PARTS: OBSOLETE CIS STREAMLINING PER D.RENAUD/D.SINISI

OBSOLETE	925660-7	925715-7	CuZn 30	blank
	925660-6	925715-6	CuSn 4	Gold üb. Ni.
	925660-5	925715-5	St4K50	vorverzinkt
	925660-4	925715-4	CuSn 4	blank
	925660-3	925715-3	CuSn 4	versilber
	925660-2	925715-2	CuSn 4	vorverzinkt
	925660-1	925715-1	CuZn 30	vorverzinkt
Bestell.-Nr. für Einzelausführung Crimp vorgeformt	BESTELL-NR.	WERSTOFF	OBERFLÄCHE	

DIMENSIONS: mm		TOLERANCES UNLESS OTHERWISE SPECIFIED:	
	0 PLC	±0.2	
	1 PLC	±0.2	
	2 PLC	±0.2	
	3 PLC	±	
	4 PLC	±	
	ANGLES	±1°	
MATERIAL	SEE TABLE	FINISH	SEE TABLE

DWN	J.SKODA	22JUL2005
CHK	R.VLCEK	19AUG2005
APVD	M.BIFLCHER	26AUG2005
PRODUCT SPEC	108-1032	
APPLICATION SPEC	114-1007	
WEIGHT	-	

**STE** TE Connectivity

NAME: Ø 3.5 PIN, Ø 3.5 Stift

SIZE	CAGE CODE	DRAWING NO	RESTRICTED TO
A3	00779	925715	-

CUSTOMER DRAWING / KUNDENZEICHNUNG SCALE 5:1 SHEET 1 OF 1 REV Y2