



Chipsmall Limited consists of a professional team with an average of over 10 year of expertise in the distribution of electronic components. Based in Hongkong, we have already established firm and mutual-benefit business relationships with customers from,Europe,America and south Asia,supplying obsolete and hard-to-find components to meet their specific needs.

With the principle of “Quality Parts,Customers Priority,Honest Operation,and Considerate Service”,our business mainly focus on the distribution of electronic components. Line cards we deal with include Microchip,ALPS,ROHM,Xilinx,Pulse,ON,Everlight and Freescale. Main products comprise IC,Modules,Potentiometer,IC Socket,Relay,Connector.Our parts cover such applications as commercial,industrial, and automotives areas.

We are looking forward to setting up business relationship with you and hope to provide you with the best service and solution. Let us make a better world for our industry!



Contact us

Tel: +86-755-8981 8866 Fax: +86-755-8427 6832

Email & Skype: info@chipsmall.com Web: www.chipsmall.com

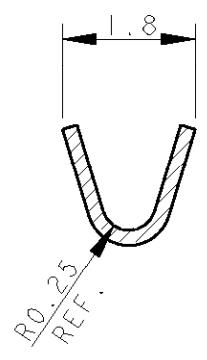
Address: A1208, Overseas Decoration Building, #122 Zhenhua RD., Futian, Shenzhen, China



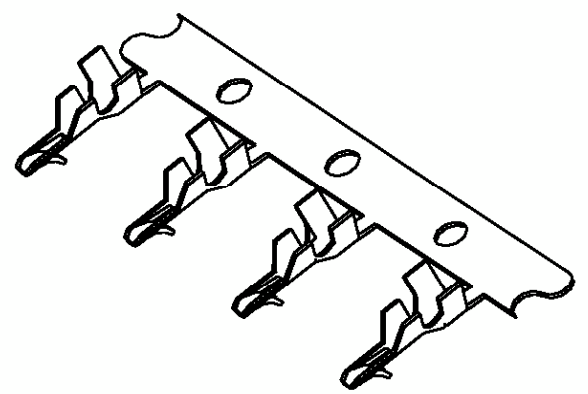
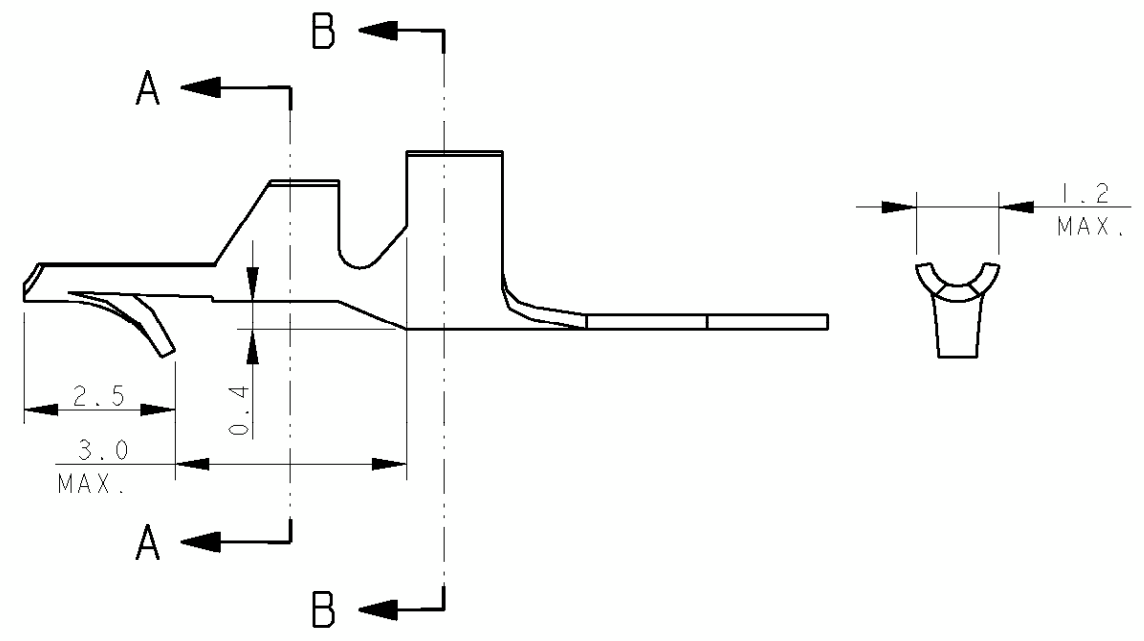
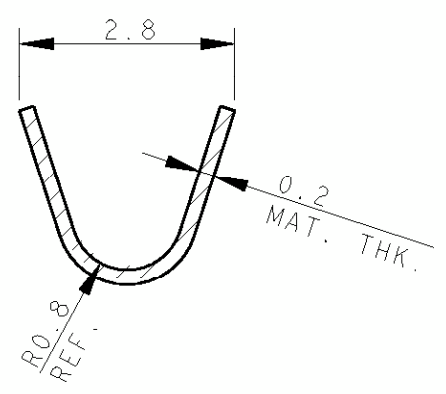
THIS DRAWING IS UNPUBLISHED. RELEASED FOR PUBLICATION
 © COPYRIGHT ALL RIGHTS RESERVED.

LOC	DIST	REVISIONS			
P	LTR	DESCRIPTION	DATE	DWN	APVD
		S4 REVISED PER ECR-15-016719	17NOV2015	NK	GJ

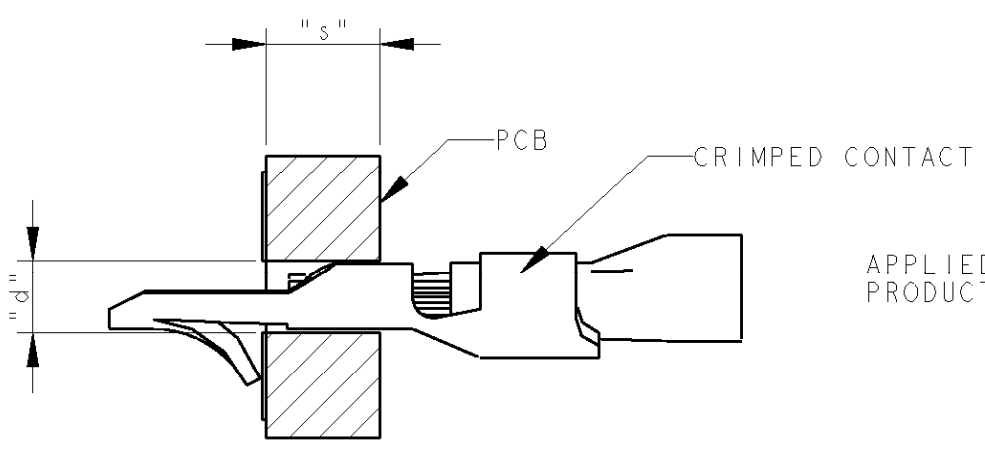
SECTION A-A



SECTION B-B



SCALE 3:1



APPLIED PRODUCT ILLUSTRATION

1 TERMINALS SUPPLIED ON REELS ON 8.40 CENTERS. ORIENTATION AS SHOWN.

(DIRECTION OFF TOP OF REEL)	
P/N 925819-3	ALETTE DI AGGRAFFATURA RIVOLTE VERSO L'ALTO ("U"ing UP)
P/N 925819-4	ALETTE DI AGGRAFFATURA RIVOLTE VERSO IL BASSO ("U"ing DOWN)

Ø1.00-1.52 [Ø.040-.060]	26-22	1.38±0.08 1.28±0.08	1.5 1.5 & 2	NOTE	STAGNATO CON SOTTOSTRATO DI NICHEL (TIN OVER NICKEL)	OTTONE (BRASS)	925819-4 925819-3
INSULATION RANGE	WIRE RANGE [AWG]	HOLE DIA. "d" [mm]	PCB THK. "s" [mm]		FINITURA/COLORE (FINISH/COLOUR)	MATERIALE (MATERIAL)	TE CONNECTIVITY PART NUMBER

DIMENSIONS: mm		TOLERANCES UNLESS OTHERWISE SPECIFIED:		DWN 03JUL2003 H. YAALI		TE Connectivity	
		0 PLC ± - 1 PLC ± 0.3 2 PLC ± - 3 PLC ± - 4 PLC ± - ANGLES ± 2°		CHK C. TARTARI			
MATERIAL AS TABLE		FINISH AS TABLE		APVD -		NAME	
				PRODUCT SPEC -		MINI AMP-IN CONTACT (STRIP FORM)	
				APPLICATION SPEC 114-1016		SIZE CAGE CODE DRAWING NO RESTRICTED TO	
				WEIGHT -		A3 00779 ©- 925819	
				CUSTOMER DRAWING		SCALE 10: SHEET 1 OF 1 REV S4	

2 COMPLIES WITH TE SOLDERABILITY SPECIFICATION TEC-109-11-1

3 OBSOLETE