



Chipsmall Limited consists of a professional team with an average of over 10 year of expertise in the distribution of electronic components. Based in Hongkong, we have already established firm and mutual-benefit business relationships with customers from,Europe,America and south Asia,supplying obsolete and hard-to-find components to meet their specific needs.

With the principle of "Quality Parts,Customers Priority,Honest Operation,and Considerate Service",our business mainly focus on the distribution of electronic components. Line cards we deal with include Microchip,ALPS,ROHM,Xilinx,Pulse,ON,Everlight and Freescale. Main products comprise IC,Modules,Potentiometer,IC Socket,Relay,Connector.Our parts cover such applications as commercial,industrial, and automotives areas.

We are looking forward to setting up business relationship with you and hope to provide you with the best service and solution. Let us make a better world for our industry!



Contact us

Tel: +86-755-8981 8866 Fax: +86-755-8427 6832

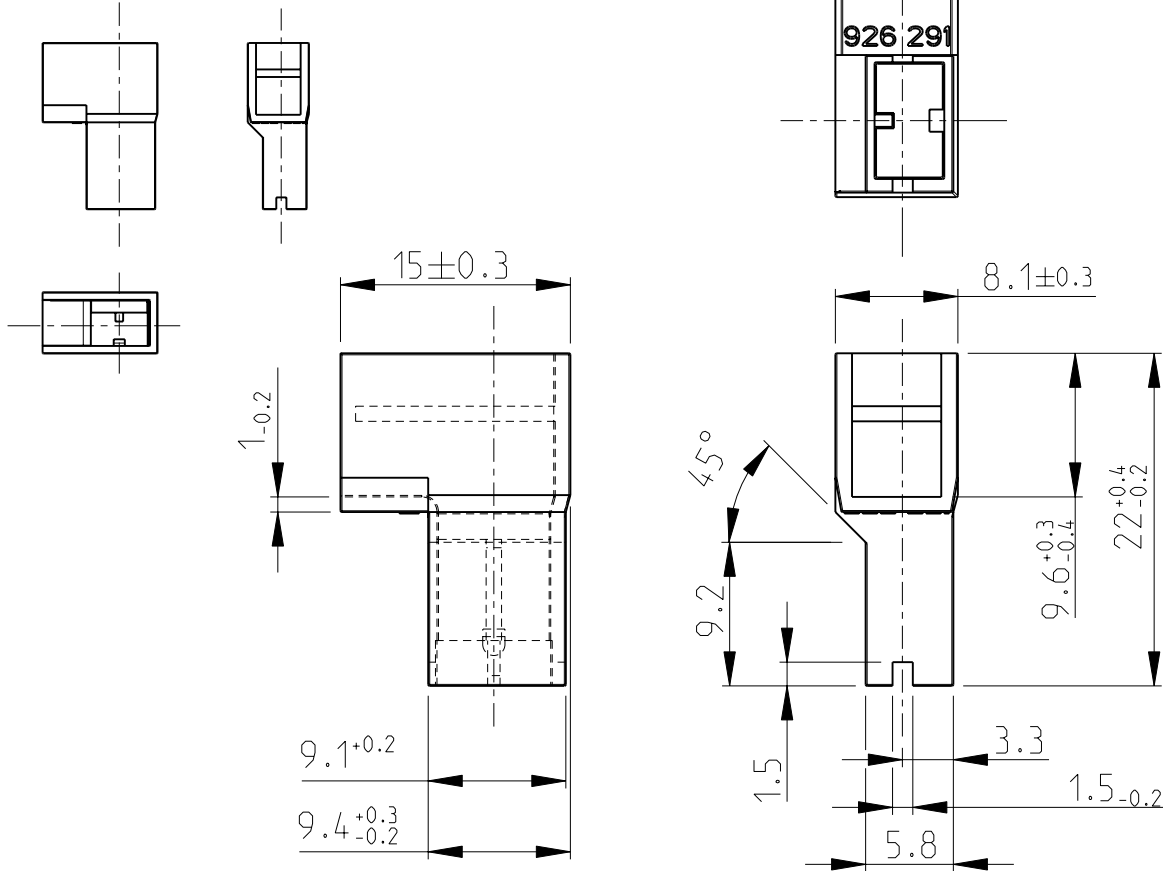
Email & Skype: info@chipsmall.com Web: www.chipsmall.com

Address: A1208, Overseas Decoration Building, #122 Zhenhua RD., Futian, Shenzhen, China



LOC	DIST	REVISIONS					
A1	-	P	LTR	DESCRIPTION	DATE	DWN	APVD
		A		Umhuellungskreis hinzu	19.11.1979		
		B		Maß 9.4 +0,3/-0,2 ergaenzt	11.12.1979		
		C		Maß 22 +0,4/-0,2 war 22±0.3	30.6.1980		
		H1		NEW CAD DRAWING CREATED	20.8.2008	Raab	Goe.

Maßstab
SCALE 1:1



Bemerkungen
NOTES:



Nicht bemaßte Wanddicken 0.76_{-0.16}
WALL THICKNESS 0.76_{-0.16} EXCEPT AS NOTED



Nicht bemaßte Radien R 0.3^{+0.2}
ALL RADII 0.3^{+0.2} R EXCEPT AS NOTED

schwarz/ BLACK	PA 6.6	926291-1	H
natur/ NATURAL	PA 6.6	926291-2	H
COLOR	MATERIAL	PARTNUMBER	REV.

2008

RELEASED FOR PUBLICATION

THIS DRAWING IS UNPUBLISHED.

BY TYCO ELECTRONICS CORPORATION. ALL RIGHTS RESERVED.
COPYRIGHT 2008

DIMENSIONS: mm	DWN Raab, S. 19AUG2008	MATERIAL	FINISH
TOLERANCES UNLESS OTHERWISE SPECIFIED:	CHK Goepfel, C. 20AUG2008	Tyco Electronics AMP GmbH 64625 Bensheim (Germany)	
0 PLC ± 1 PLC ± 2 PLC ± ±0.2mm 3 PLC ± 4 PLC ± ANGLES ± 1.5°	APVD Bleicher, M. 21AUG2008	NAME Positive Lock Gehaeuse der Serie 6.3 90 Grad abgewinkelt POSITIVE LOCK FLAG HOUSING	
	PRODUCT SPEC	SIZE	CAGE CODE
	APPLICATION SPEC	DRAWING NO	RESTRICTED TO
	WEIGHT 0.7 g	A 4	00779
	CUSTOMER DRAWING	©=926291	
		SCALE 2:1	SHEET 1 OF 1
			REV H1