



Chipsmall Limited consists of a professional team with an average of over 10 year of expertise in the distribution of electronic components. Based in Hongkong, we have already established firm and mutual-benefit business relationships with customers from,Europe,America and south Asia,supplying obsolete and hard-to-find components to meet their specific needs.

With the principle of “Quality Parts,Customers Priority,Honest Operation,and Considerate Service”,our business mainly focus on the distribution of electronic components. Line cards we deal with include Microchip,ALPS,ROHM,Xilinx,Pulse,ON,Everlight and Freescale. Main products comprise IC,Modules,Potentiometer,IC Socket,Relay,Connector.Our parts cover such applications as commercial,industrial, and automotives areas.

We are looking forward to setting up business relationship with you and hope to provide you with the best service and solution. Let us make a better world for our industry!



## Contact us

Tel: +86-755-8981 8866 Fax: +86-755-8427 6832

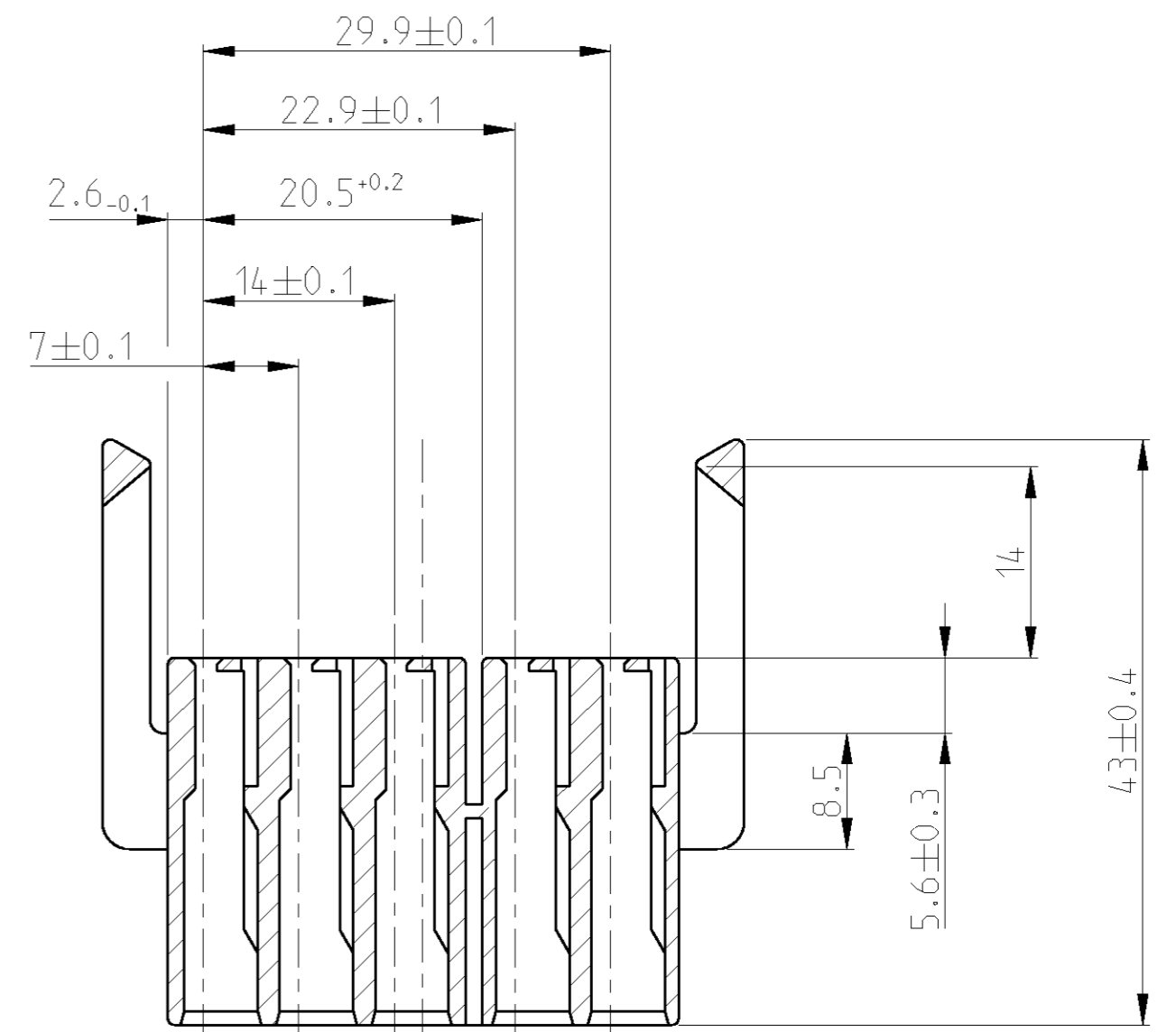
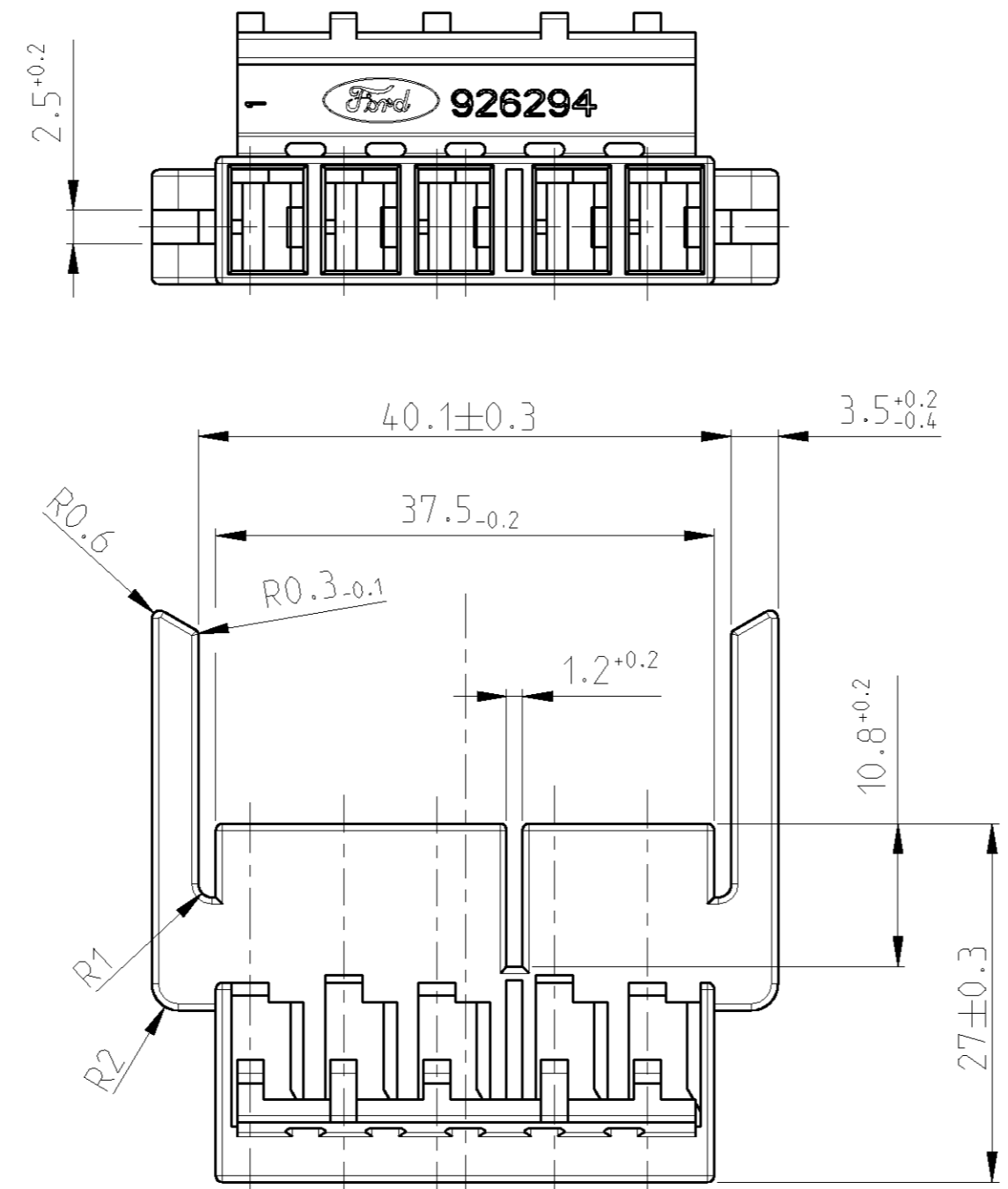
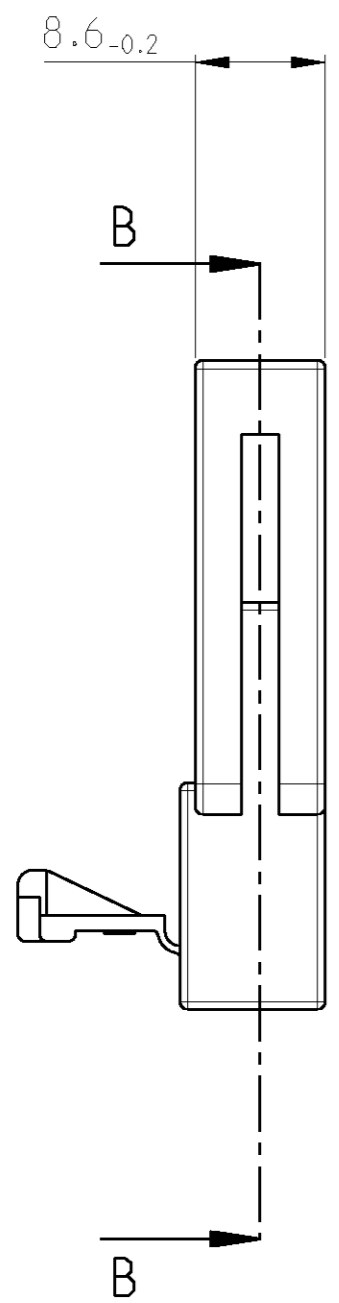
Email & Skype: info@chipsmall.com Web: www.chipsmall.com

Address: A1208, Overseas Decoration Building, #122 Zhenhua RD., Futian, Shenzhen, China

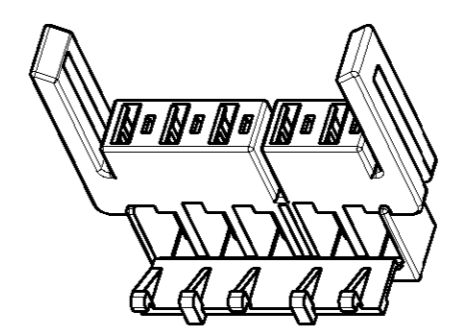
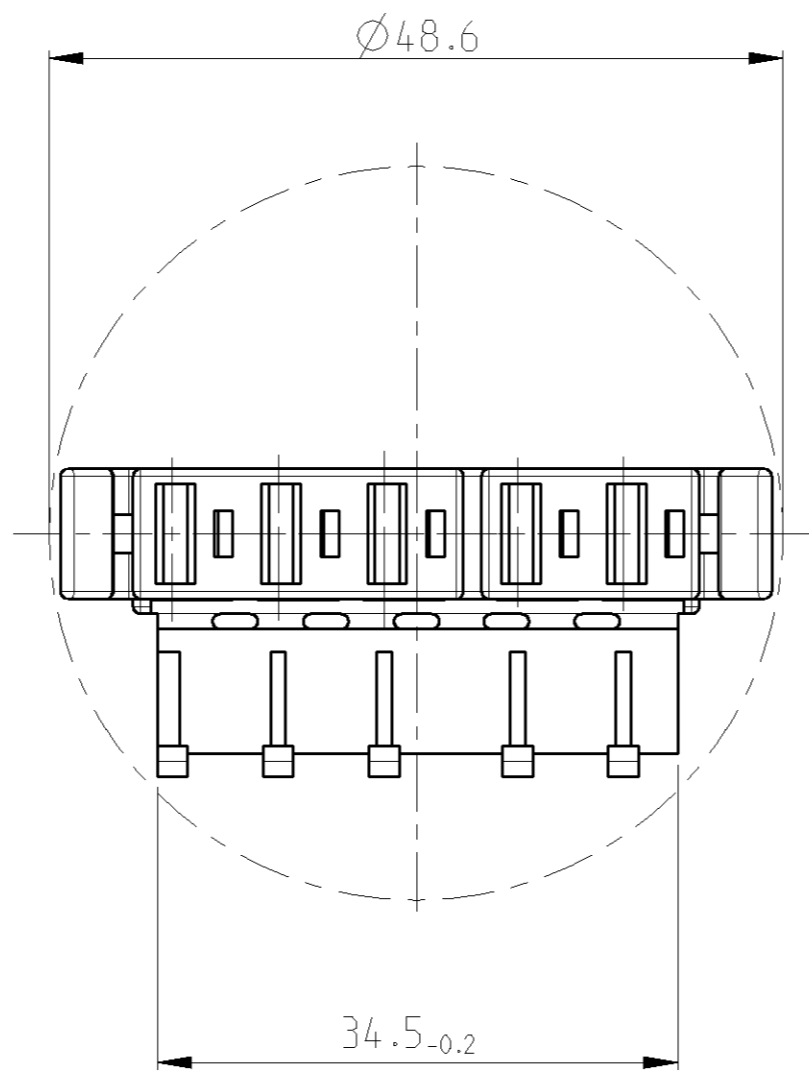


THIS DRAWING IS UNPUBLISHED. RELEASED FOR PUBLICATION 2005  
 © COPYRIGHT 2005 BY TYCO ELECTRONICS CORPORATION. ALL RIGHTS RESERVED.

LOC	DIST	REVISIONS				
P	LTR	DESCRIPTION	DATE	DWN	APVD	
A1	-	H1	NEW CAD ProE DRAWING CREATED	17JUL2006	Abr	Goep



B-B



1:1

NOTES  
Bemerkungen

1 ALL RADII 0.5 <sup>+0.2</sup>/<sub>-0.1</sub> EXCEPT AS NOTED  
 Unbemasste Radien R 5 <sup>+0.2</sup>/<sub>-0.1</sub>

BLACK	Polyamid 6.6	926294-1	H
COLOR	MATERIAL	PART- NUMBER	REV.

THIS DRAWING IS A CONTROLLED DOCUMENT FOR TYCO ELECTRONICS CORPORATION IT IS SUBJECT TO CHANGE AND THE CONTROLLING ENGINEERING ORGANIZATION SHOULD BE CONTACTED FOR THE LATEST REVISION.		DWN Abraham, G. 17 JUL 2006	tyco Electronics tyco Electronics AMP GmbH D - 64625 Bensheim	
DIMENSIONS: mm		CHK Goepfel, C. 18 JUL 2006	NAME 5 POS. POSITIVE MATE REC. HSG; 5 pol. Positive Mate Steckhuelsengeh.	
TOLERANCES UNLESS OTHERWISE SPECIFIED: 0 PLC ± ±0.2 1 PLC ± ±0.2 2 PLC ± ±0.2 3 PLC ± ±0.2 4 PLC ± ±0.2 ANGLES ±30'		APVD -	PRODUCT SPEC -	RESTRICTED TO -
MATERIAL -		APPLICATION SPEC -	WEIGHT -	SCALE 2:1 SHEET 1 OF 1 REV. H1
FINISH -		CUSTOMER DRAWING	SIZE A2 CAGE CODE 00779 DRAWING NO. ©=926294	