



Chipsmall Limited consists of a professional team with an average of over 10 year of expertise in the distribution of electronic components. Based in Hongkong, we have already established firm and mutual-benefit business relationships with customers from,Europe,America and south Asia,supplying obsolete and hard-to-find components to meet their specific needs.

With the principle of “Quality Parts,Customers Priority,Honest Operation,and Considerate Service”,our business mainly focus on the distribution of electronic components. Line cards we deal with include Microchip,ALPS,ROHM,Xilinx,Pulse,ON,Everlight and Freescale. Main products comprise IC,Modules,Potentiometer,IC Socket,Relay,Connector.Our parts cover such applications as commercial,industrial, and automotives areas.

We are looking forward to setting up business relationship with you and hope to provide you with the best service and solution. Let us make a better world for our industry!



## Contact us

Tel: +86-755-8981 8866 Fax: +86-755-8427 6832

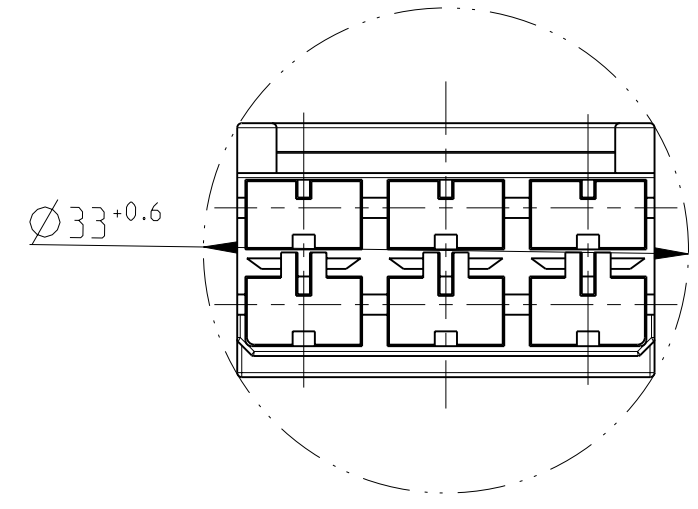
Email & Skype: info@chipsmall.com Web: www.chipsmall.com

Address: A1208, Overseas Decoration Building, #122 Zhenhua RD., Futian, Shenzhen, China

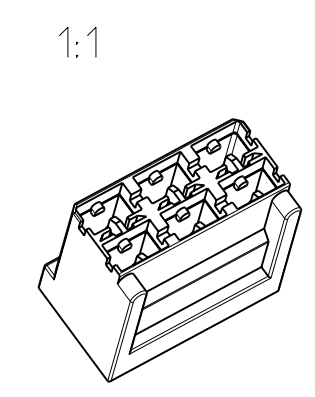
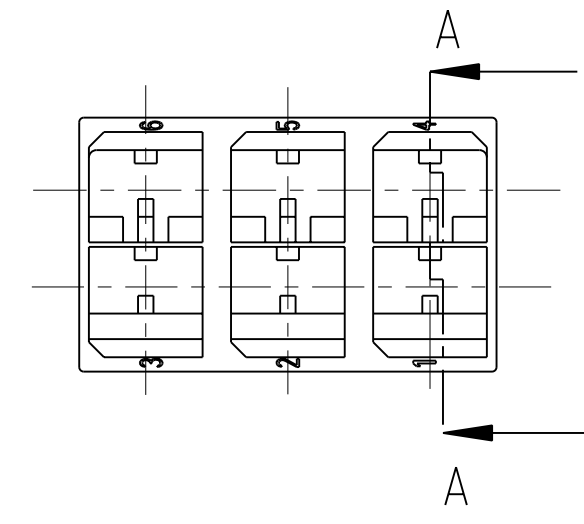
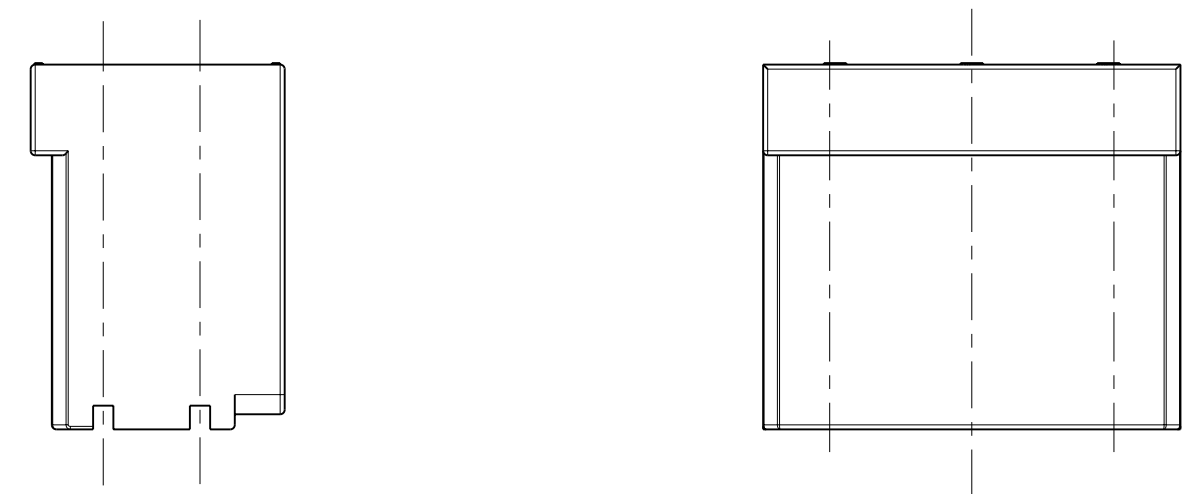
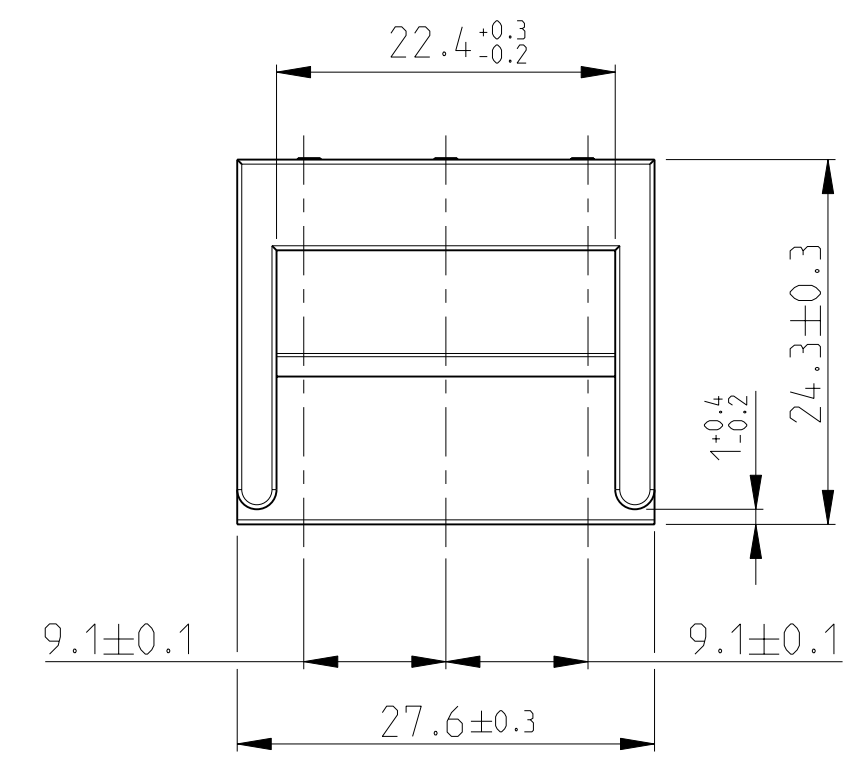
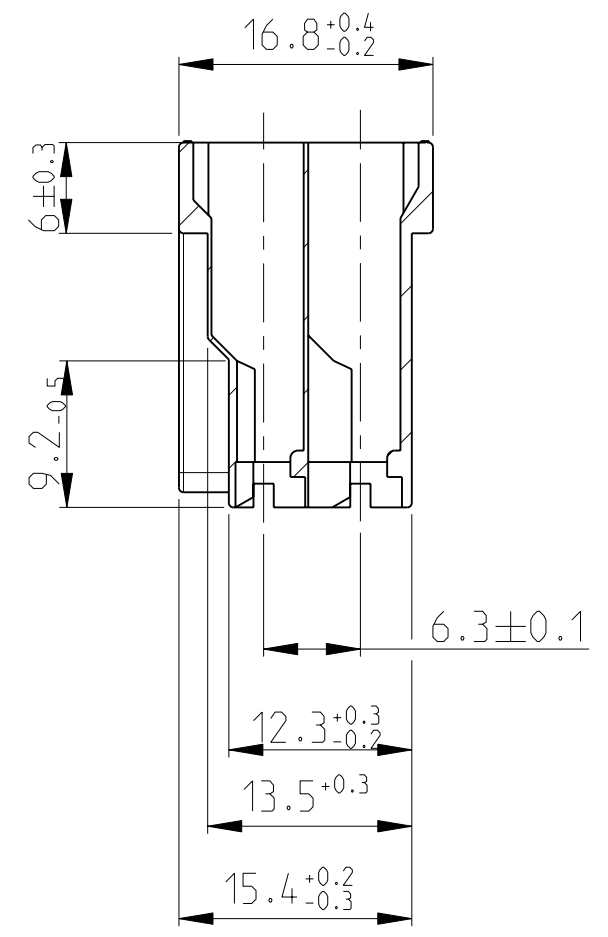


THIS DRAWING IS UNPUBLISHED. RELEASED FOR PUBLICATION  
 © COPYRIGHT - ALL RIGHTS RESERVED.

LOC	DIST	REVISIONS				
P	LTR	DESCRIPTION	DATE	DWN	APVD	
A1	-	F3	REVISED PER ECO-11-005140	16APR2011	RK	HMR



Schnitt Section A-A



	weiß/ WHITE RAL 9001	PA 6.6	926330-8
3	OBSOLETE	blau/ BLUE RAL 5012	926330-7
	gelb/ YELLOW RAL 1018	PA 6.6	926330-6
3	OBSOLETE	grün/ GREEN RAL 6011	926330-5
	rot/ RED RAL 3000	PA 6.6	926330-4
	natur/ NARURAL	PA 6.6	926330-3
3	OBSOLETE	grau/ GREY RAL 7037	926330-2
	schwarz/ BLACK	PA 6.6	926330-1
	COLOR	MATERIAL	PARTNUMBER

Bemerkungen NOTES:

- 1 Nicht vermaßte Wanddicken 1 <sup>+0.2</sup>/<sub>-0.4</sub>  
WALL THICKNESS 1 <sup>+0.2</sup>/<sub>-0.4</sub> EXEPT AS NOTED
- 2 Nicht vermaßte Radien R0.3<sup>+0.2</sup>  
ALL RADII R0.3<sup>+0.2</sup> EXEPT AS NOTED
- 3 OBSOLETE PARTS: OBSOLETE CIS STREAMLINING PER D.RENAUD/D.SINISI

THIS DRAWING IS A CONTROLLED DOCUMENT.		DWN Raab, S. 17SEP2008	TE Connectivity	
DIMENSIONS: mm		CHK Goepfel, C. 22SEP2008		
TOLERANCES UNLESS OTHERWISE SPECIFIED:		APVD Bleicher, M. 23SEP2008	NAME 6-poliges POSITIVE LOCK Gehäuse der Serie 6.3 (.250)	
Ø PLC ±0.2 1 PLC ±0.2 2 PLC ±0.2 3 PLC ±0.2 4 PLC ±0.2 ANGLES ±1.5° FINISH		PRODUCT SPEC -	SIZE A2	CAGE CODE 00779
MATERIAL -		APPLICATION SPEC -	DRAWING NO C-926330	RESTRICTED TO -
		WEIGHT 3.7 g	SCALE 2:1	SHEET 1 OF 1
		CUSTOMER DRAWING	REV F3	