



Chipsmall Limited consists of a professional team with an average of over 10 year of expertise in the distribution of electronic components. Based in Hongkong, we have already established firm and mutual-benefit business relationships with customers from,Europe,America and south Asia,supplying obsolete and hard-to-find components to meet their specific needs.

With the principle of “Quality Parts,Customers Priority,Honest Operation,and Considerate Service”,our business mainly focus on the distribution of electronic components. Line cards we deal with include Microchip,ALPS,ROHM,Xilinx,Pulse,ON,Everlight and Freescale. Main products comprise IC,Modules,Potentiometer,IC Socket,Relay,Connector.Our parts cover such applications as commercial,industrial, and automotives areas.

We are looking forward to setting up business relationship with you and hope to provide you with the best service and solution. Let us make a better world for our industry!



## Contact us

Tel: +86-755-8981 8866 Fax: +86-755-8427 6832

Email & Skype: info@chipsmall.com Web: www.chipsmall.com

Address: A1208, Overseas Decoration Building, #122 Zhenhua RD., Futian, Shenzhen, China



4

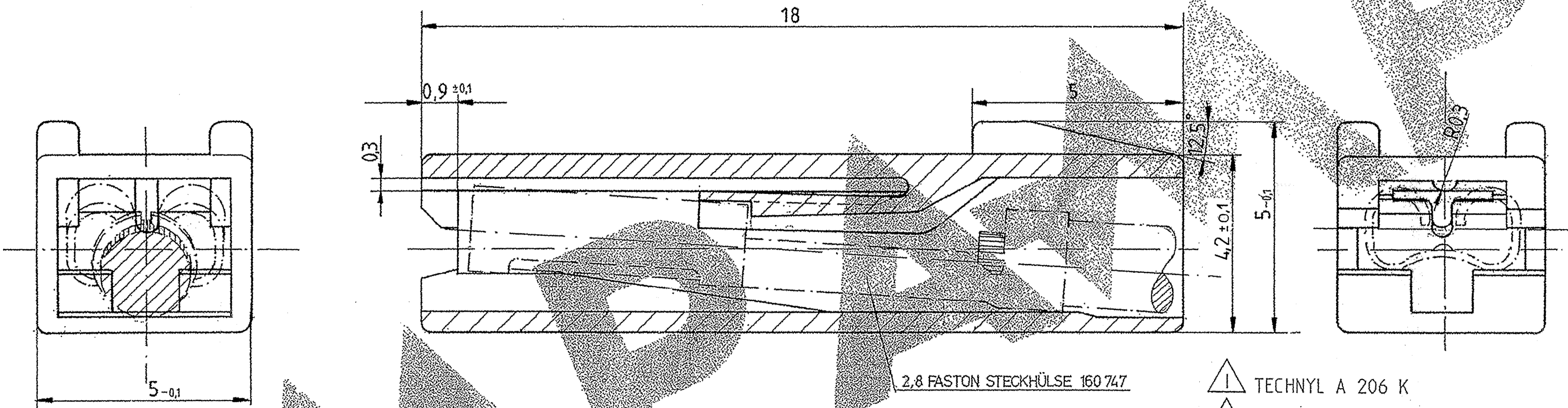
3

2

1

Zeichnung geschützt durch  
 © Copyright 1979  
 AMP DEUTSCHLAND GmbH  
 Alle Rechte vorbehalten

Index	Änderung	Tag	Name
E	ZEICHNUNG ÜBERARBEITET	14.10.1980	Schmid
G	RIPPE AUFGEBRACHT	8.12.1980	Schmid
H	ZEICHNUNG AUF -2 ERWEITERT	10.12.1981	Kuna
I	- 3 HINZU	22.5.84	Fanewes
L	-3 WERKSTOFF GEÄNDERT	01.11.84	A. Hofmann
M	-4 HINZU	12.10.88	Korschnat
<b>M1</b>	<b>-1; -2; -3 WERKSTOFF GEÄNDERT</b>	<b>10.02.01</b>	<b>Stredak</b>
N	926410-4; MATERIAL CHANGED.	13.03.07	Stredak
N1	TOL. CHANGED; 4,2 <sup>+0,1</sup> TO 4,2 <sup>±0,1</sup>	30.03.07	Stredak



2,8 FASTON STECKHÜLSE 160 747

UNBEMASSTE RADIIEN R0,3

- 1 TECHNYL A 206 K
- 2 Teile luftdicht verpackt  
Feuchtigkeitsgehalt 0,8 - 1,5%  
AIR-TIGHT PACKAGING OF MOULDED PARTS  
MOISTURE CONTENT 0,8 - 1,5%
- 3 ULTRAMID C3U (rotbraun / REDBROWN)
- 4 ULTRAMID C3U (schwarz / BLACK)

N	926 410-4	4	SCHWARZ	AMP DEUTSCHLAND GmbH Langen b. Ffm.	<b>K</b>	
M	926 410-3	3	ROTBRAUN			
M	926 410-2	2, 1	NATUR			
M	926 410-1	1	NATUR			
Rev.	Bestell-Nr.	Werkstoff	Oberfläche Farbe	Nicht tolerierte Maße ± 0,1 mm ± 1 °	Format <b>B</b>	Zeichnungs-Nr. 926 410
(N)	Gez. 14.10.1980 <i>Schmid</i>	Gepr. 14.10.80 <i>HT</i>	Gepr. <i>...</i>	Maßstab 10 : 1		Blatt-Nr. REV 1 OF 1 N1