



Chipsmall Limited consists of a professional team with an average of over 10 year of expertise in the distribution of electronic components. Based in Hongkong, we have already established firm and mutual-benefit business relationships with customers from,Europe,America and south Asia,supplying obsolete and hard-to-find components to meet their specific needs.

With the principle of “Quality Parts,Customers Priority,Honest Operation,and Considerate Service”,our business mainly focus on the distribution of electronic components. Line cards we deal with include Microchip,ALPS,ROHM,Xilinx,Pulse,ON,Everlight and Freescale. Main products comprise IC,Modules,Potentiometer,IC Socket,Relay,Connector.Our parts cover such applications as commercial,industrial, and automotives areas.

We are looking forward to setting up business relationship with you and hope to provide you with the best service and solution. Let us make a better world for our industry!



Contact us

Tel: +86-755-8981 8866 Fax: +86-755-8427 6832

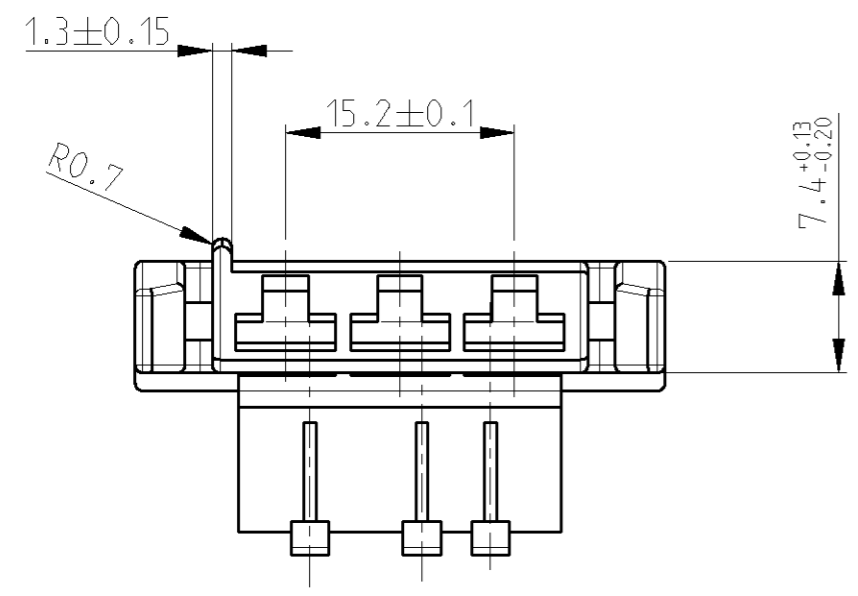
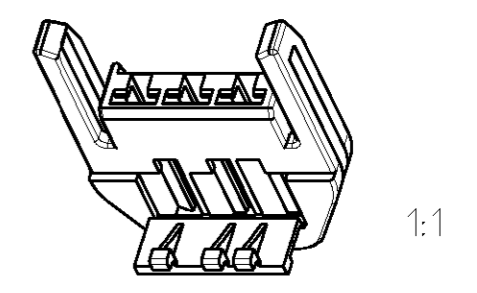
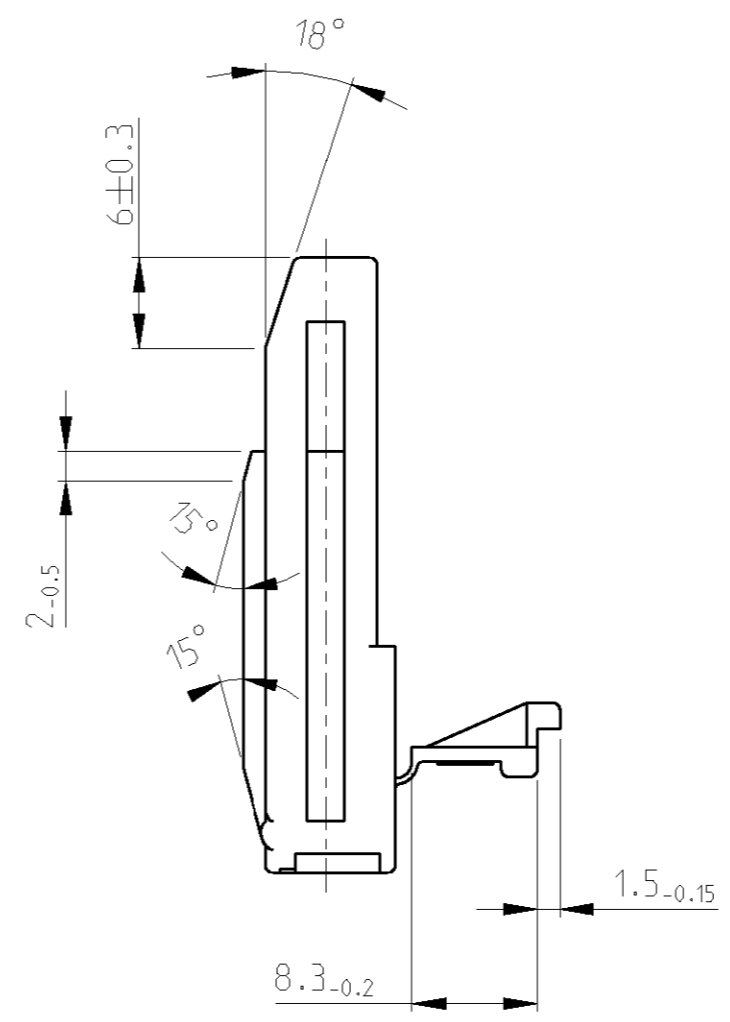
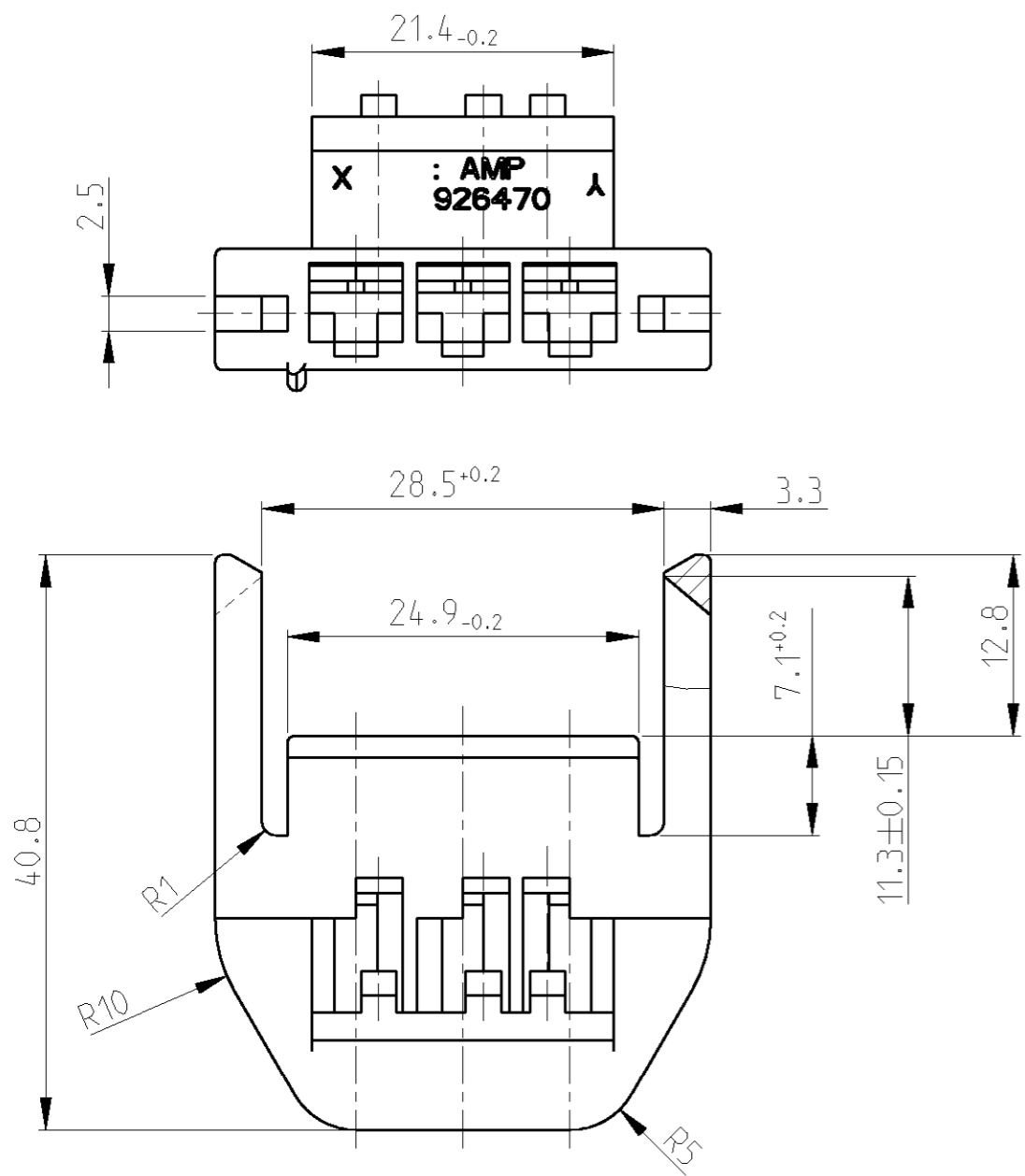
Email & Skype: info@chipsmall.com Web: www.chipsmall.com

Address: A1208, Overseas Decoration Building, #122 Zhenhua RD., Futian, Shenzhen, China



THIS DRAWING IS UNPUBLISHED. RELEASED FOR PUBLICATION 2005
 © COPYRIGHT 2005 BY TYCO ELECTRONICS CORPORATION. ALL RIGHTS RESERVED.

LOC	DIST	REVISIONS			
P	LTR	DESCRIPTION	DATE	DWN	APVD
A1	-	L1	NEW CAD-DRAWING CREATED	20MAY2005	Abr C.G.



ALL RADII 0.5 EXCEPT AS NOTED
 Unbemaßte Radien R 0.5

BLACK	Polyamid 6.6 ZYTEL 408	926470-1	L
COLOR	MATERIAL	PART-NUMBER	REV.

THIS DRAWING IS A CONTROLLED DOCUMENT FOR TYCO ELECTRONICS CORPORATION IT IS SUBJECT TO CHANGE AND THE CONTROLLING ENGINEERING ORGANIZATION SHOULD BE CONTACTED FOR THE LATEST REVISION.		DWN 20MAY2005 Abraham.G.	tyco Electronics	tyco Electronics AMP GmbH D - 64625 Bensheim	
DIMENSIONS: mm		CHK 23MAY2005 Goepfel.C.		NAME 3 POS. POSITIVE MATE HINGED REC. HSG. 3 pol. Pos. Mate Geh. f. Flachsteckhülse	
TOLERANCES UNLESS OTHERWISE SPECIFIED: 0 PLC ± 1 PLC ± 2 PLC ± ±0.2 3 PLC ± 4 PLC ± ANGLES ±1°30'		APVD -	RESTRICTED TO		
MATERIAL -		PRODUCT SPEC -	SIZE A3	CAGE CODE 00779	DRAWING NO. 926470
FINISH -		APPLICATION SPEC -	WEIGHT 4.3 g		SCALE 2:1
		CUSTOMER DRAWING	SHEET 1 OF 1		REV L1