



Chipsmall Limited consists of a professional team with an average of over 10 year of expertise in the distribution of electronic components. Based in Hongkong, we have already established firm and mutual-benefit business relationships with customers from,Europe,America and south Asia,supplying obsolete and hard-to-find components to meet their specific needs.

With the principle of “Quality Parts,Customers Priority,Honest Operation,and Considerate Service”,our business mainly focus on the distribution of electronic components. Line cards we deal with include Microchip,ALPS,ROHM,Xilinx,Pulse,ON,Everlight and Freescale. Main products comprise IC,Modules,Potentiometer,IC Socket,Relay,Connector.Our parts cover such applications as commercial,industrial, and automotives areas.

We are looking forward to setting up business relationship with you and hope to provide you with the best service and solution. Let us make a better world for our industry!



Contact us

Tel: +86-755-8981 8866 Fax: +86-755-8427 6832

Email & Skype: info@chipsmall.com Web: www.chipsmall.com

Address: A1208, Overseas Decoration Building, #122 Zhenhua RD., Futian, Shenzhen, China

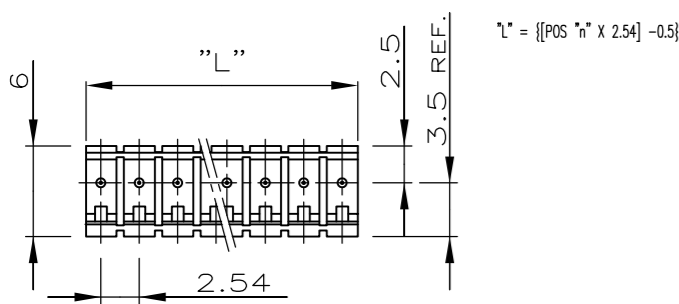


THIS DRAWING IS UNPUBLISHED. RELEASED FOR PUBLICATION
 © COPYRIGHT - By - ALL RIGHTS RESERVED.

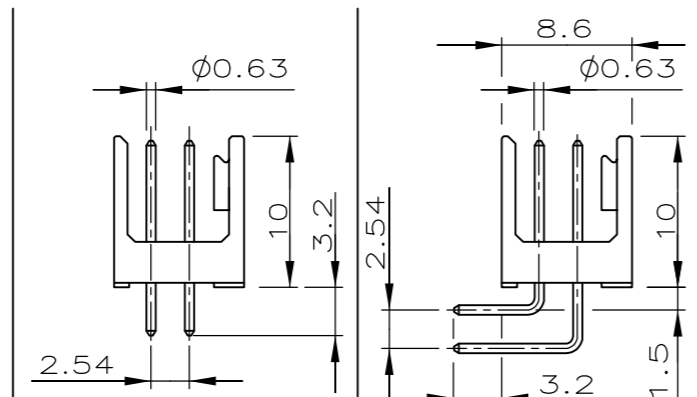
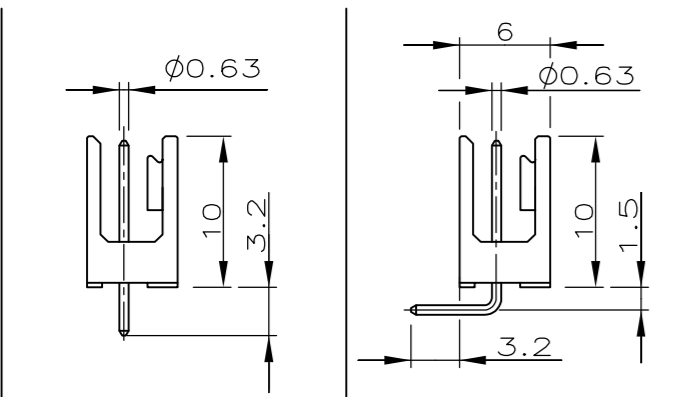
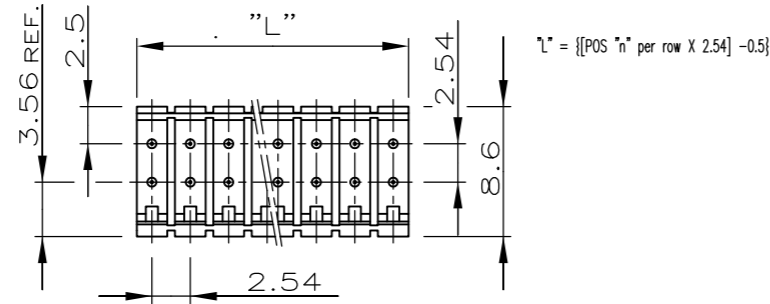
MODU II SHROUDED POSTS

MODU II Stiftleiste

SINGLE ROW 3 TO 50 POS.
Einreihig 3 bis 50 pol.



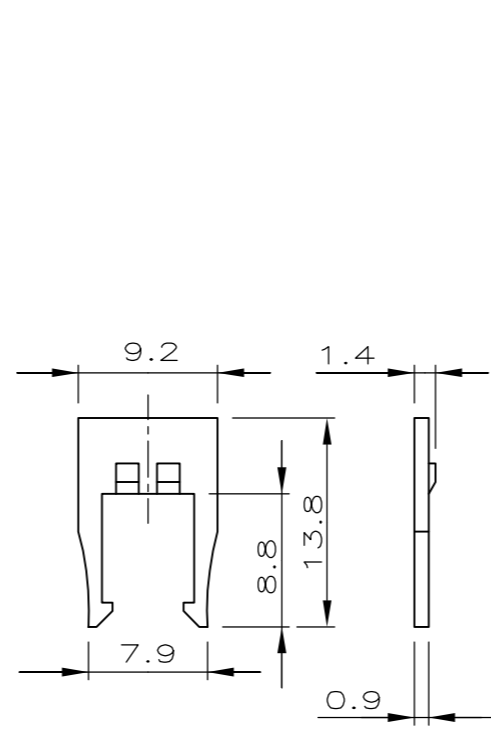
DOUBLE ROW 2x3 TO 2x50 POS.
Zweireihig 2x3 bis 2x50 pol.



POS.	PART NUMBERS	PART NUMBERS	POS.	PART NUMBERS	PART NUMBERS
3 (2) TO 50	△ 826 467-3 BIS	△ 826 468-3 BIS	2x3 TO 2x50	△ 826 469-3 BIS	△ 826 470-2 BIS
	5-826 467-0 △	5-826 468-0		5-826 469-0	5-826 470-0
	△ 827 295-2 BIS	△ 827 296-3 BIS		△ 827 297-3 BIS	△ 827 298-3 BIS
	5-827 295-0 △	5-827 296-0 △		5-827 297-0 △	5-827 298-0 △

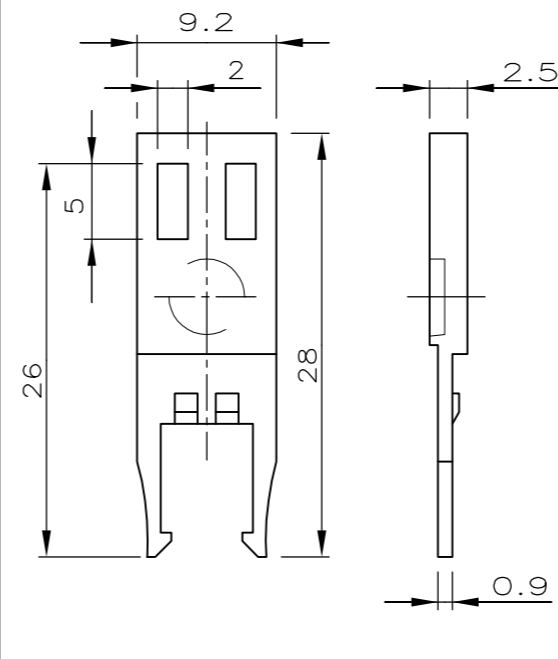
RETENTION PLUG

Rastgabel



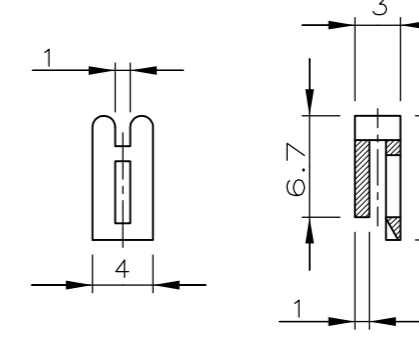
RETENTION PLUG WITH STRAIN RELIEF

Rastgabel mit Zugentlastung



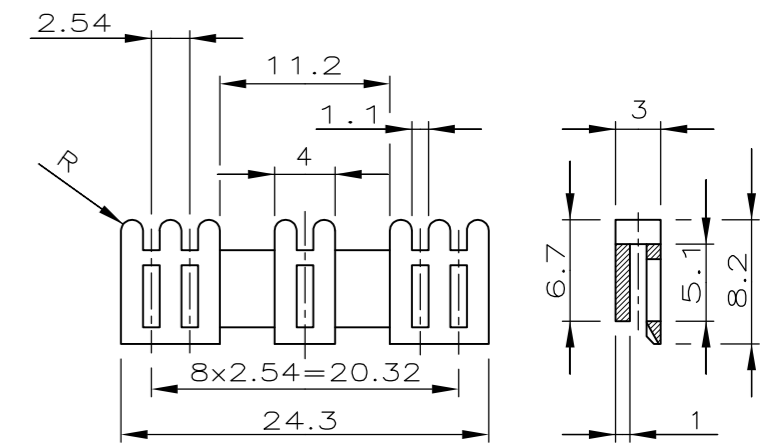
KEYING PLUG

Kodierstift



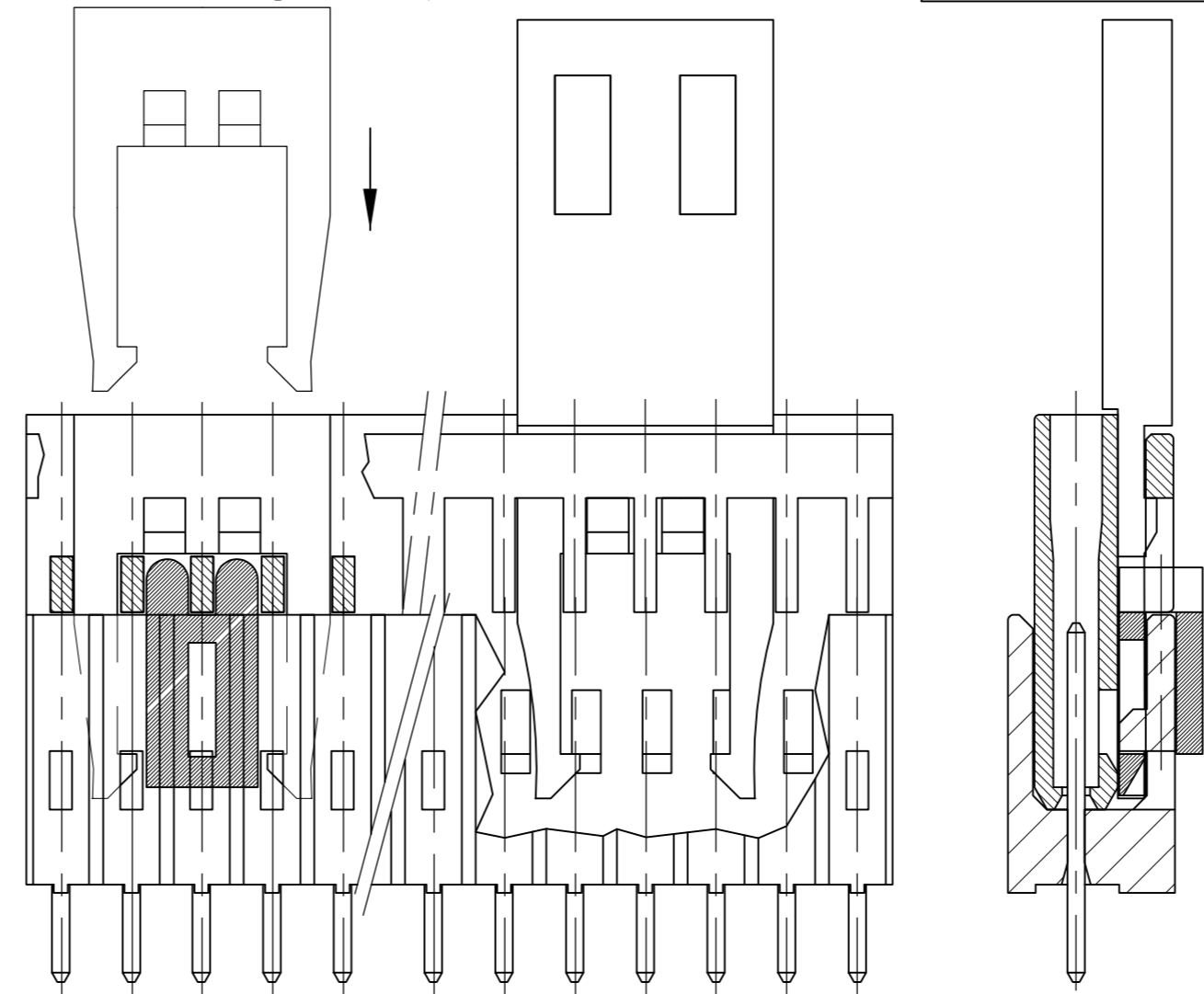
KEYING BLOCK

Kodierblock



ASSEMBLED COMPONENTS (FOR EXAMPLE)

Anwendungsbeispiel



1 CONTACTPIN/Kontaktstift: CuZn
 PLATING MATING AREA:
 0.1µm Au OVER 0.7µm Pd-ALLOY OVER 1.27µm Ni
 Oberfläche Steckbereich:
 0.1µm Au über 0.7µm Pd-Legierung über 1.27µm Ni
 SOLDER SIDE: 2.0µm Sn OVER 1.27µm Ni
 Lötseite: 2.0µm Sn über 1.27µm Ni

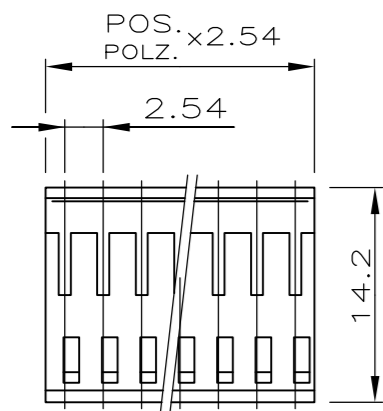
2 CONTACTPIN/Kontaktstift: CuSn
 PRE TIN PLATED MIN. 2.0µm Sn OVER 1.27µm Ni
 Ni (PIN TIPS BLANK)
 Vorverzinnt min. 2.0µm Sn über 1.27µm Ni
 (Stiftspitzen blank)

MATERIAL:
 PIN HEADER
 Stiftgehäuse PCT-GV BLACK/schwarz
 RECEPTACLE HOUSING PBT-GV BLACK/schwarz
 Buchsengehäuse
 RETENTION PLUGS PC-GV
 Rastgabeln
 KEYING PLUG AND BLOCK
 Kodierstift, -block PA 6.6 GV
 FFC HOUSING
 FFC Gehäuse PBT-GV BLACK/schwarz

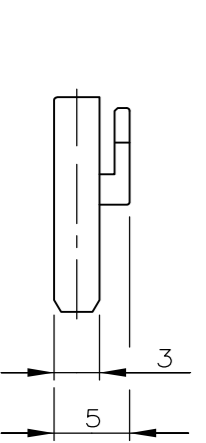
3 OBSOLETE PARTS
 4 OBSOLETE PARTS: OBSOLETE CIS STREAMLINING
 PER D.RENAUD/D.SINISI

MODU IV RECEPTACLE HOUSING

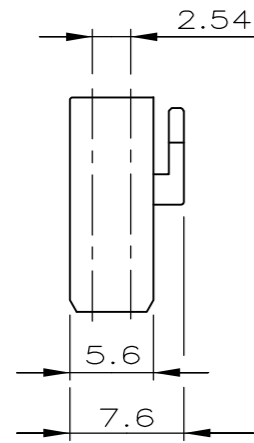
MODU IV Buchsengehäuse



SINGLE ROW 2 TO 36 POS.
Einreihig 2 bis 36 polig.

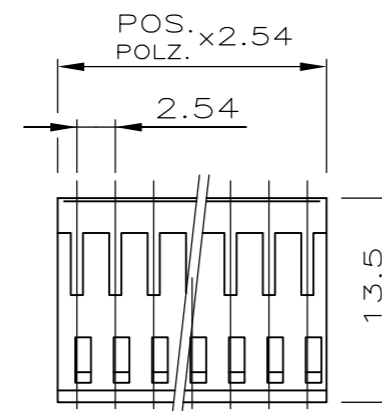


DOUBLE ROW 2x2 TO 2x36 POS.
Zweireihig 2x2 bis 2x36 polig

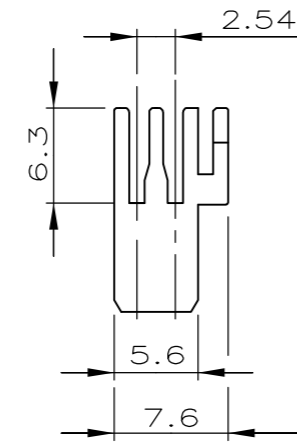


FFC HOUSING

FFC Gehäuse



DOUBLE ROW 2x3 TO 2x13 POS.
Zweireihig 2x3 bis 2x13 polig



POS.	PART NUMBERS	POS.	PART NUMBERS	POS.	PART NUMBERS
2 TO 36	926 475-2	2x2 TO 2x36	926 476-2	2x3 TO 2x13	927 009-3 △
	3-926 475-6		3-926 476-6		1-927 009-3 △

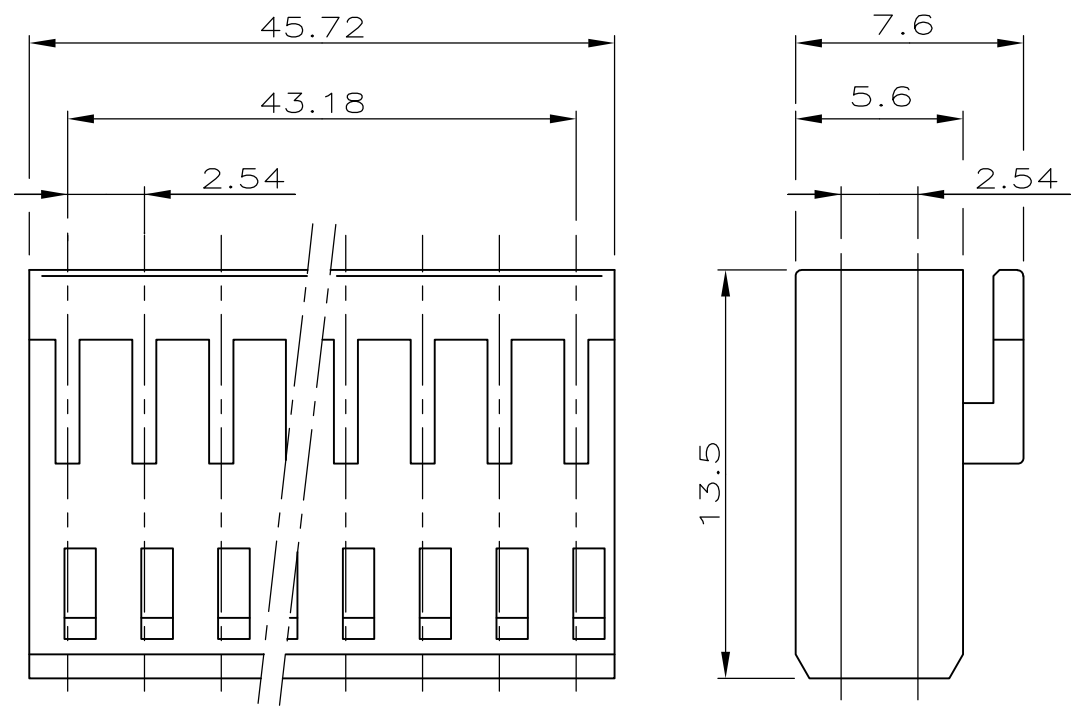
THIS DRAWING IS A CONTROLLED DOCUMENT.

DIMENSIONS: mm	TOLERANCES UNLESS OTHERWISE SPECIFIED: ±0.2mm
MATERIAL	FINISH

DWN A.HO 08.03.85	CHK M.SCHAARSCHMIDT 02.05.85	APVD -	PRODUCT SPEC -	APPLICATION SPEC -	WEIGHT -	CUSTOMER DRAWING
			TE Connectivity			RESTRICTED TO
AMPMODU II / AMPMODU IV			SIZE A2	CAGE CODE 00779	DRAWING NO C=826467	SCALE 2:1
SHEET 1 of 2			REV W7			

THIS DRAWING IS UNPUBLISHED. RELEASED FOR PUBLICATION
 © COPYRIGHT - By - ALL RIGHTS RESERVED.

LOC	DIST	REVISIONS			
P	LTR	DESCRIPTION	DATE	DWN	APVD
		SEE SHEET 1	-	-	-



PN 6-926476-8
 2x18 POS. AMPMODU IV RECEPTACLE HOUSING
 2x18 POL. AMPMODU IV BUCHSENGEHÄUSE

PACKAGING
 Verpackung

PART NUMBER 5-8264667-3 INCLUDING 75 PCS. OF PN 826467-3
 PACKED IN PLASTIC BOX (78mm x 78mm x 45mm)
 FOR TE-HARRISBURG ONLY

Bestell- Nummer 5-826467-3 enthält 75 Stk. PN 826467-3
 verpackt in Kunststoffschachtel (78mm x 78mm x 45mm)
 nur für TE-Harrisburg

ZEICHNUNG GÜLTIG AB KW 1.1./95

THIS DRAWING IS A CONTROLLED DOCUMENT.		DWN	M.SCHAARSCHMIDT	27.09.85
DIMENSIONS: mm		CHK	W.MORITZ	30.09.85
TOLERANCES UNLESS OTHERWISE SPECIFIED: ±0.2mm		APVD	-	-
0 PLC ± -		PRODUCT SPEC	-	-
1 PLC ± -		APPLICATION SPEC	-	-
2 PLC ± -		WEIGHT	-	-
3 PLC ± -		CUSTOMER DRAWING		
4 PLC ± -		SCALE	4:1	SHEET 2 OF 2
ANGLES ± -		FINISH	-	REV W7
MATERIAL -		SIZE	A3	CAGE CODE 00779
		DRAWING NO	C-826467	
		RESTRICTED TO	-	



AMPMODU II/AMPMODU IV
 SPECIAL PERFORMANCE
 SONDERAUSFUEHRUNG