



Chipsmall Limited consists of a professional team with an average of over 10 year of expertise in the distribution of electronic components. Based in Hongkong, we have already established firm and mutual-benefit business relationships with customers from,Europe,America and south Asia,supplying obsolete and hard-to-find components to meet their specific needs.

With the principle of "Quality Parts,Customers Priority,Honest Operation,and Considerate Service",our business mainly focus on the distribution of electronic components. Line cards we deal with include Microchip,ALPS,ROHM,Xilinx,Pulse,ON,Everlight and Freescale. Main products comprise IC,Modules,Potentiometer,IC Socket,Relay,Connector.Our parts cover such applications as commercial,industrial, and automotives areas.

We are looking forward to setting up business relationship with you and hope to provide you with the best service and solution. Let us make a better world for our industry!



Contact us

Tel: +86-755-8981 8866 Fax: +86-755-8427 6832

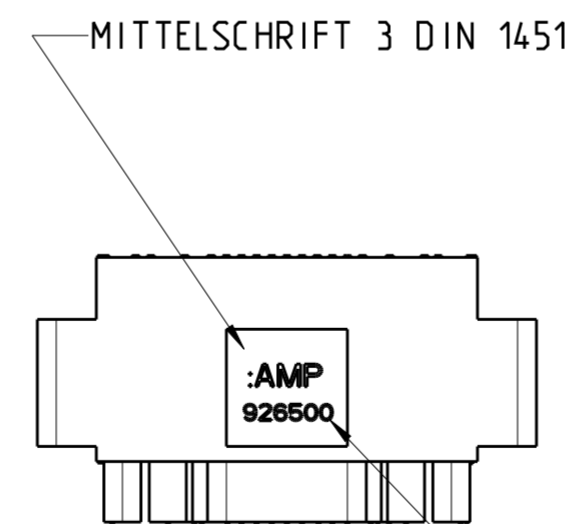
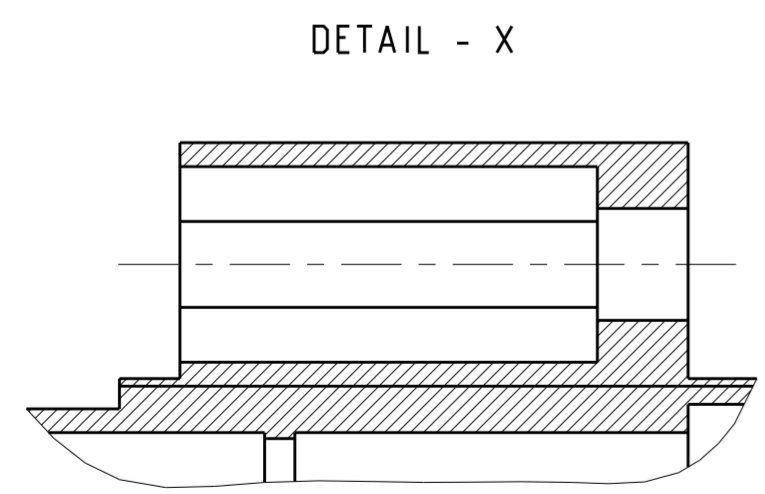
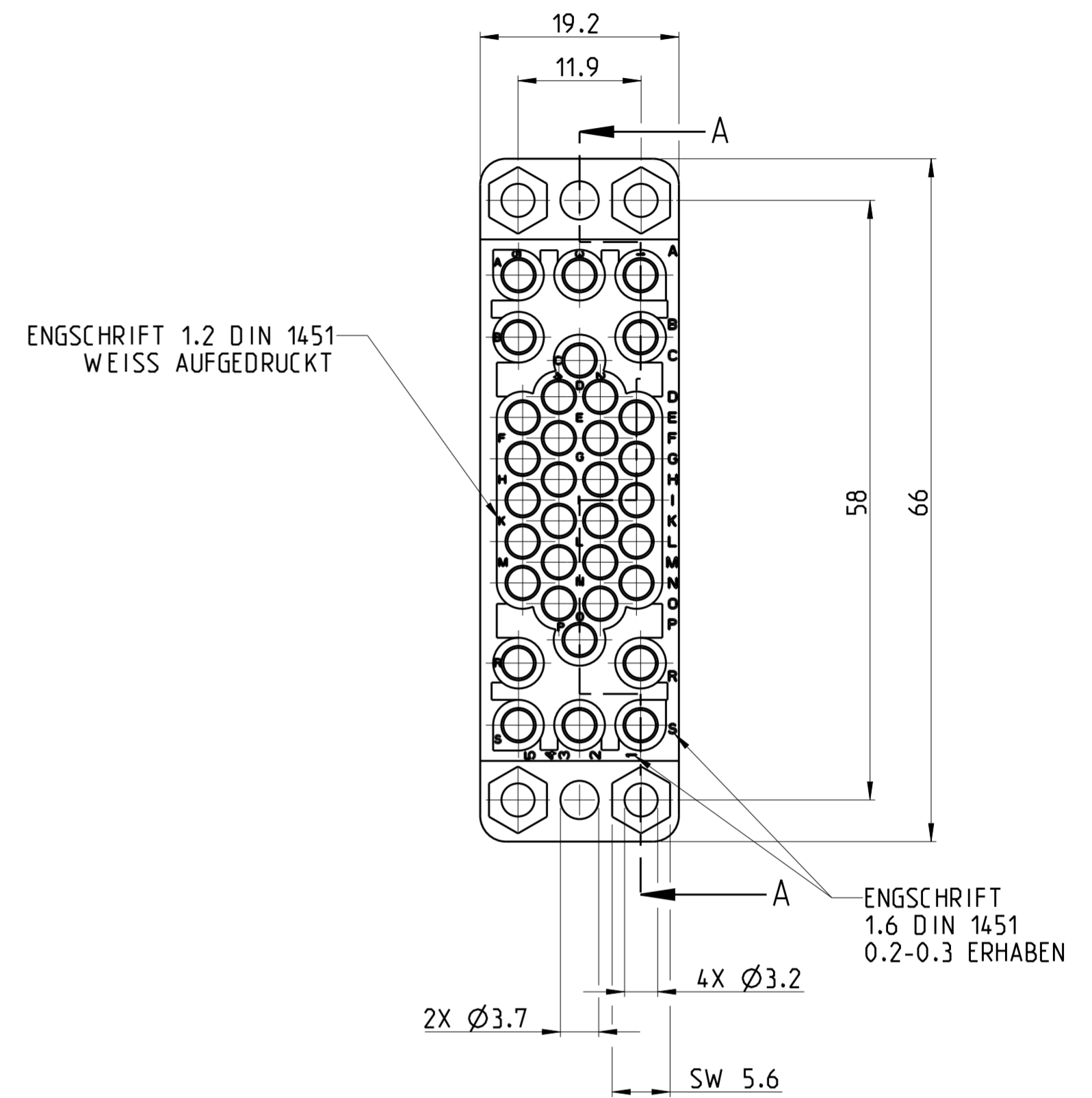
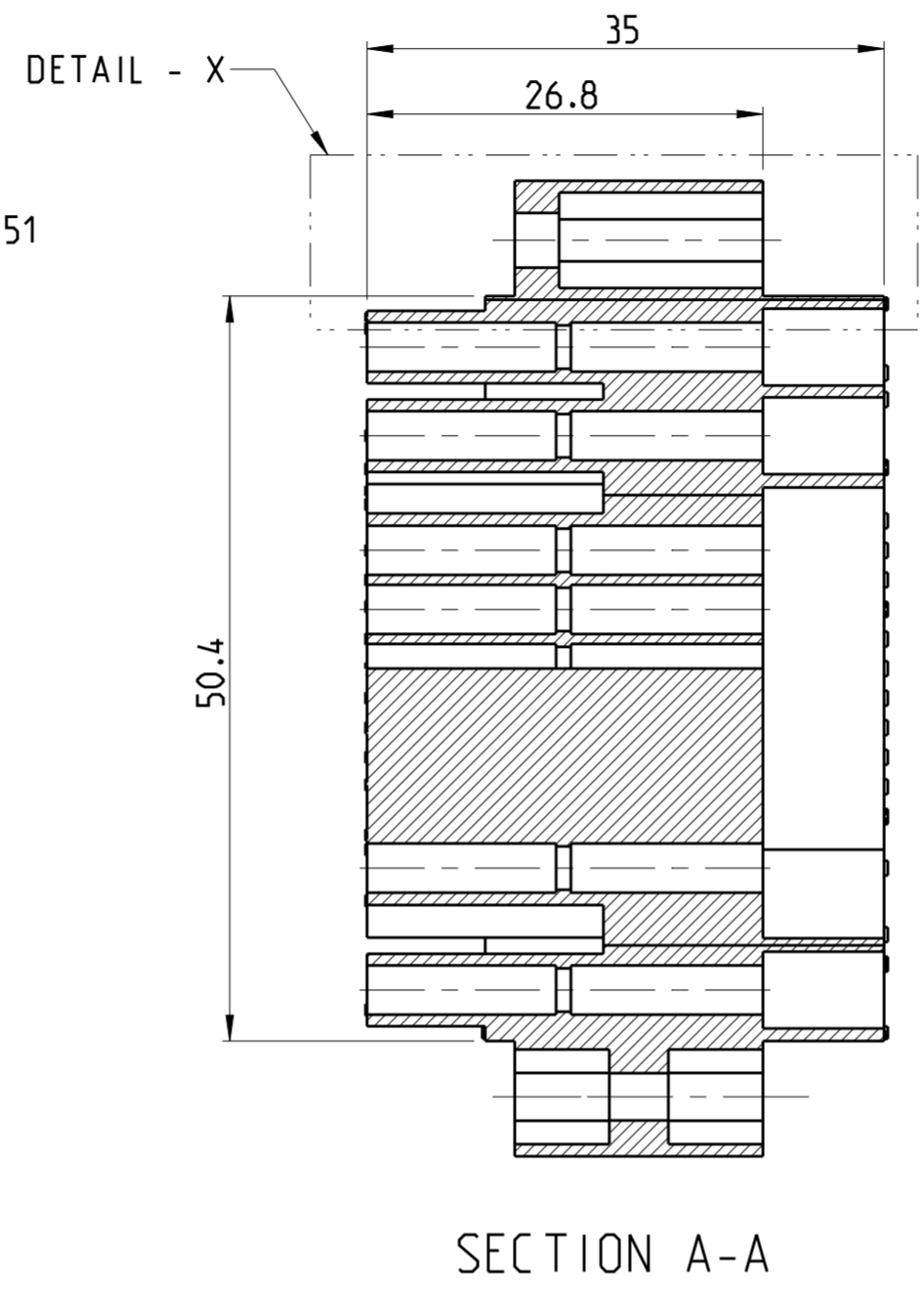
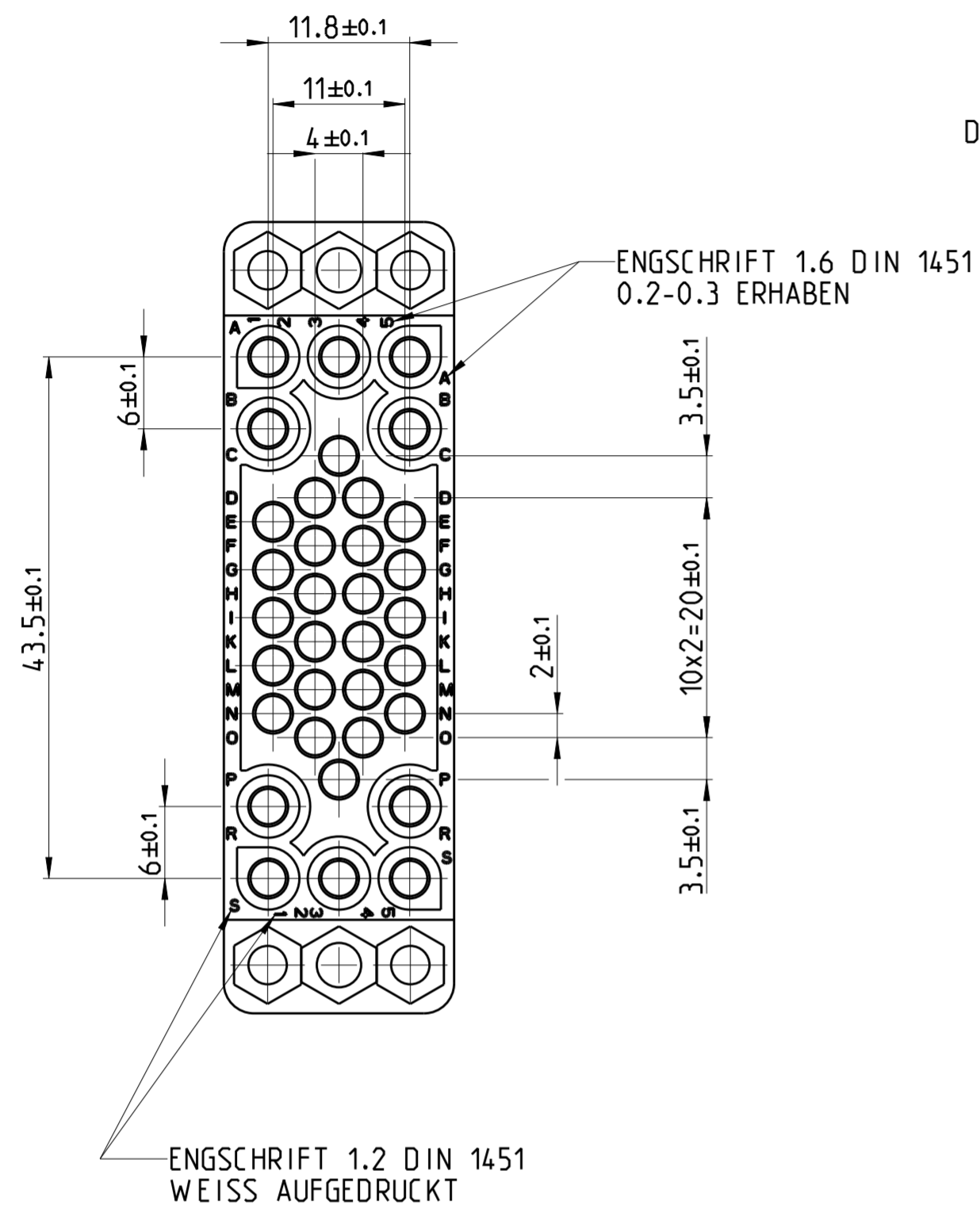
Email & Skype: info@chipsmall.com Web: www.chipsmall.com

Address: A1208, Overseas Decoration Building, #122 Zhenhua RD., Futian, Shenzhen, China



THIS DRAWING IS UNPUBLISHED. RELEASED FOR PUBLICATION 20
 © COPYRIGHT 20 BY - ALL RIGHTS RESERVED.

REVISIONS					
P	LTR	DESCRIPTION	DATE	DWN	APVD
B2		DIM 12.1 CORRECTED TO 11.8 IN ZONE D4	27JAN2014	TJ	JK



- 1 RYTON R-4 (PPS 40% GLASFASERN)
- 2 OBSOLETE PARTS: OBSOLETE CIS STREAMLINING PER D.RENAUD/D.SINSI

2	SEE DETAIL-X	926500-2	1	SCHWARZ
		926500-1	1	SCHWARZ
	Bestell-Nr.	Werkstoff		Oberfläche

926500-2 2
 OBSOLETE

BESTELL-NR: MITTELSCHRIFT 2 DIN 1451

THIS DRAWING IS A CONTROLLED DOCUMENT.

DIMENSIONS: mm	TOLERANCES UNLESS OTHERWISE SPECIFIED: ±0.2mm	DWN MOHAMMED THAJUDEEN 26NOV2013	TE Connectivity
MATERIAL	FINISH	CHK PRASHANTH 26NOV2013	
SEE TABLE	SEE TABLE	APVD JAYANTH KUMAR 26NOV2013	NAME
		PRODUCT SPEC	34 POS. M-SERIES HOUSING
		APPLICATION SPEC	SIZE CAGE CODE DRAWING NO RESTRICTED TO
		WEIGHT	A2 - C-926500 -
		CUSTOMER DRAWING	SCALE 2:1 SHEET 1 OF 1 REV B2