



Chipsmall Limited consists of a professional team with an average of over 10 year of expertise in the distribution of electronic components. Based in Hongkong, we have already established firm and mutual-benefit business relationships with customers from,Europe,America and south Asia,supplying obsolete and hard-to-find components to meet their specific needs.

With the principle of “Quality Parts,Customers Priority,Honest Operation,and Considerate Service”,our business mainly focus on the distribution of electronic components. Line cards we deal with include Microchip,ALPS,ROHM,Xilinx,Pulse,ON,Everlight and Freescale. Main products comprise IC,Modules,Potentiometer,IC Socket,Relay,Connector.Our parts cover such applications as commercial,industrial, and automotives areas.

We are looking forward to setting up business relationship with you and hope to provide you with the best service and solution. Let us make a better world for our industry!



Contact us

Tel: +86-755-8981 8866 Fax: +86-755-8427 6832

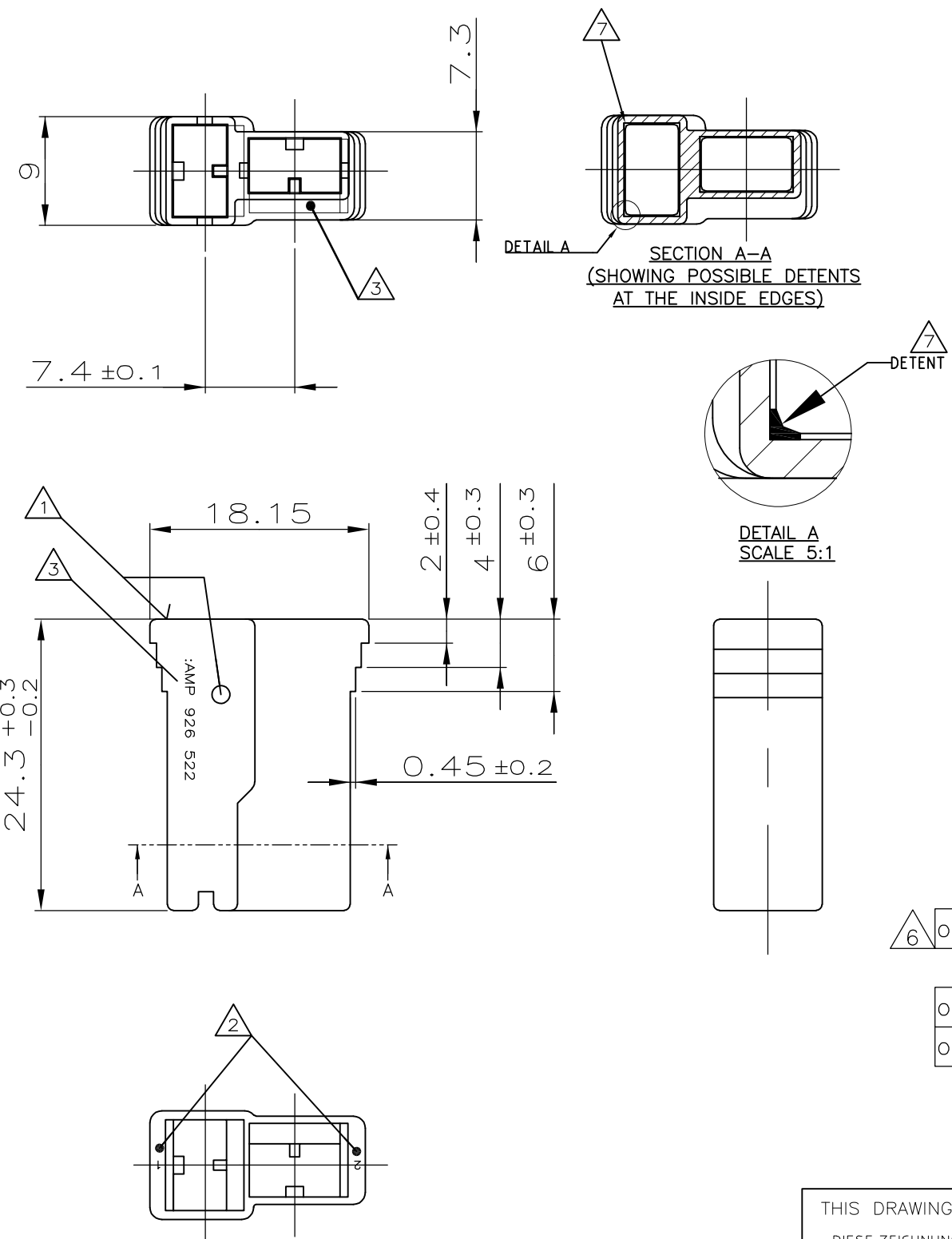
Email & Skype: info@chipsmall.com Web: www.chipsmall.com

Address: A1208, Overseas Decoration Building, #122 Zhenhua RD., Futian, Shenzhen, China



THIS DRAWING IS UNPUBLISHED.
 VERTRAULICHE UNVERÖFFENTLICHTE ZEICHNUNG
 © COPYRIGHT - 78 By -
 RELEASED FOR PUBLICATION
 FREI FUER VERÖFFENTLICHUNG
 ALL RIGHTS RESERVED.
 ALLE RECHTE VORBEHALTEN

LOC	DIST	REVISIONS ÄNDERUNGEN					
		P	LTR	DESCRIPTION BESCHREIBUNG	DATE	DWN	APVD
IR	-		S2	ECO-10-003194	30JAN10	KK	HMR
			S3	ECR-10-015755	28JUL10	PS	PCH
			S4	ECR-10-026307	18JAN11	KK	HMR



- 1 Teile- Nr. wahlweise angebracht
PN OPTIONAL BROUGHT IN
- 2 Kammer- Nr. wahlweise angebracht
CAVITY- No. OPTIONAL BROUGHT IN
- 3 Firmenlogo wahlweise angebracht
MANUFACTURER-LOGO OPTIONAL BROUGHT IN
- 4 Befeuchtet bevor dem verpacken
MOISTURIZED BEFORE PACKING
- 5 !!vorsicht!! stellen sie nicht heraus 4
teile zum zu trocknen umwelt für lange
zeit vor gebrauch
- !!CAUTION!! DO NOT EXPOSE 4 PARTS TO DRY
ENVIRONMENT FOR LONG TIME BEFORE USE
- 6 OBSOLETE PARTS: OBSOLETE CIS STREAMLINING PER
D.RENAUD/D.SINISI
- 7 POSSIBLE MOLD DETENTS ON THE INNER EDGES OF THE PART,
FREE POSITION ALONG THE EDGES; SIZE MAX 0.3mm.

4	4	6	6	6	6	6	6	6	6	6	6
-	3-926 522-3	A	-	PA 6.6(V-0)	ORANGE	-	-	-	-	-	-
-	2-926 522-1	A	-	ZYTEL 101	SCHWARZ	-	-	-	-	-	-
-	1-926 522-3	S	-	PA 6.6(V-0)	ORANGE	-	-	-	-	-	-
-	1-926 522-2	R	-	PA 6.6(V-0)	NATUR	-	-	-	-	-	-
-	1-926 522-1	S	-	PA 6.6(V-0)	SCHWARZ	-	-	-	-	-	-
OBSOLETE	-926 522-6	R	-	ZYTEL E 103	SCHWARZ	-	-	-	-	-	-
-	926 522-5	R	-	ZYTEL 101	BLAU	-	-	-	-	-	-
OBSOLETE	-926 522-4	R	-	ZYTEL 101	GELB	-	-	-	-	-	-
OBSOLETE	-926 522-3	R	-	ZYTEL 101	ROT	-	-	-	-	-	-
-	926 522-2	R	-	ZYTEL 101	NATUR	-	-	-	-	-	-
-	926 522-1	R	-	ZYTEL 101	SCHWARZ	-	-	-	-	-	-
CUSTOMER PART NO	TE PART NO	REV.	PCS.	MATERIAL	SURFACE COLOR	DESCRIPTION	ITEM NO				

THIS DRAWING IS A CONTROLLED DOCUMENT.
 DIESE ZEICHNUNG IST EIN KONTROLLIERTES DOKUMENT.

DIMENSIONS: MASSE/HEITEN: mm
 TOLERANCES UNLESS OTHERWISE SPECIFIED: ALLGEMEINTOLERANZEN

0 PLC	± 0.2
1 PLC	± 0.2
2 PLC	± 0.2
3 PLC	± -
4 PLC	± -
ANGLES / WINKEL	± 1°, 30'

MATERIAL: - FINISH/OBERFLAECHE/FARBE: -

DWN: D. Jakobeit 11-NOV-98
 CHK: -
 APVD: -
 PRODUCT SPEC: -
 APPLICATION SPEC: -
 WEIGHT: -

STE TE Connectivity
 2 POS.POSITIVE LOCK GEHAEUSE

SIZE: A3 CAGE CODE: 00779 DRAWING NO: G-926522 RESTRICTED TO NUR FUER: -

CUSTOMER DRAWING/KUNDENZEICHNUNG SCALE: MASSTAB 2:1 SHEET: BLATT 1 OF 1 REV: S4