



Chipsmall Limited consists of a professional team with an average of over 10 year of expertise in the distribution of electronic components. Based in Hongkong, we have already established firm and mutual-benefit business relationships with customers from,Europe,America and south Asia,supplying obsolete and hard-to-find components to meet their specific needs.

With the principle of "Quality Parts,Customers Priority,Honest Operation,and Considerate Service",our business mainly focus on the distribution of electronic components. Line cards we deal with include Microchip,ALPS,ROHM,Xilinx,Pulse,ON,Everlight and Freescale. Main products comprise IC,Modules,Potentiometer,IC Socket,Relay,Connector.Our parts cover such applications as commercial,industrial, and automotives areas.

We are looking forward to setting up business relationship with you and hope to provide you with the best service and solution. Let us make a better world for our industry!



Contact us

Tel: +86-755-8981 8866 Fax: +86-755-8427 6832

Email & Skype: info@chipsmall.com Web: www.chipsmall.com

Address: A1208, Overseas Decoration Building, #122 Zhenhua RD., Futian, Shenzhen, China



THIS DRAWING IS UNPUBLISHED.

RELEASED FOR PUBLICATION

2005

© COPYRIGHT 2005

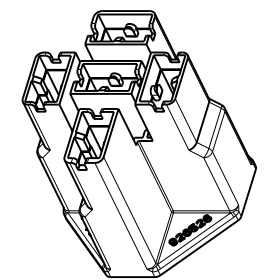
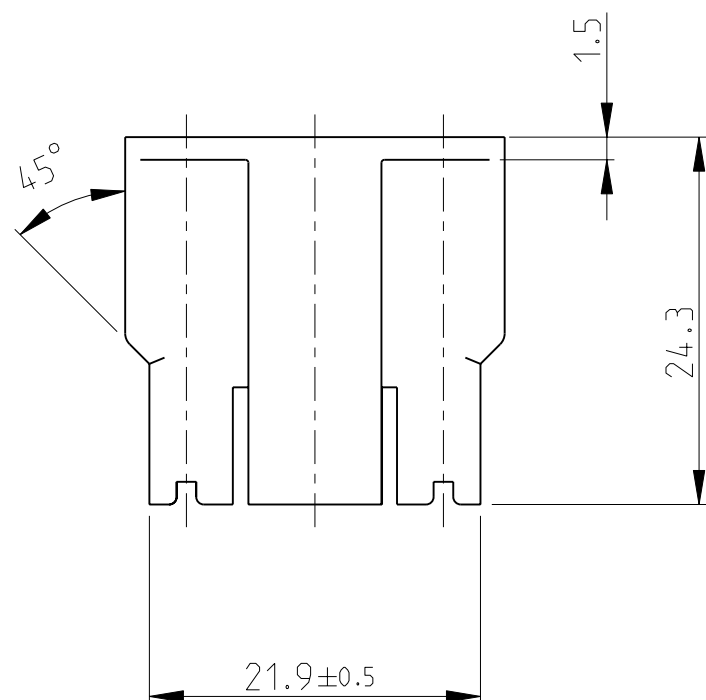
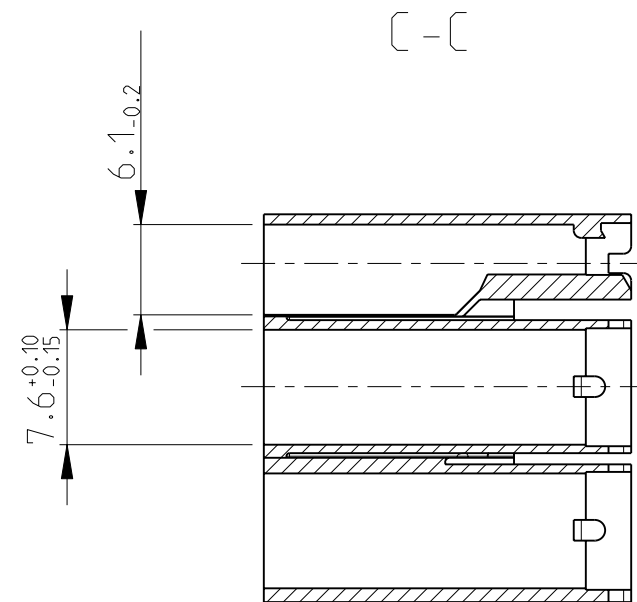
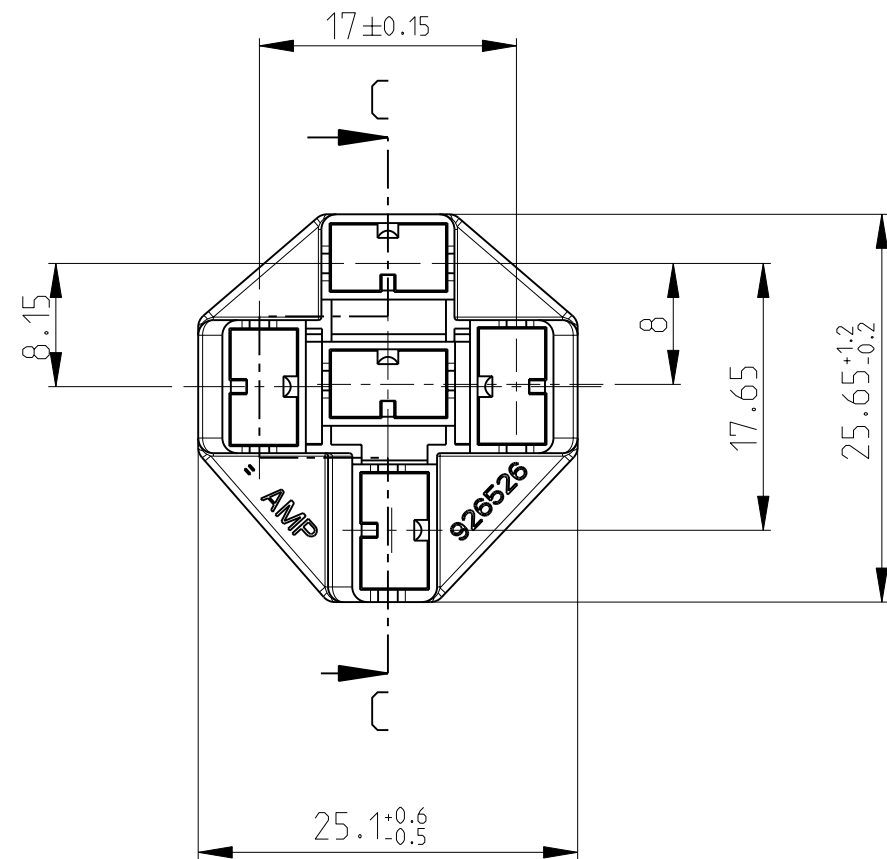
Tyco Electronics AMP GmbH

ALL RIGHTS RESERVED.

LOC A1
DIST -

REVISIONS

P	LTR	DESCRIPTION	DATE	DWN	APVD
P1		DRAFTING ERROR AND RELAX CAVITY TOLERANCE	18-SEP-2010	PKS	MP
P2		DRAFTING ERROR, P/N INFO CORRECTED	04APR2012	PKS	RRP



1:1

PA 6.6	BLACK	926526-1	P
MATERIAL	COLOUR	PART NUMBER	REV

THIS DRAWING IS A CONTROLLED DOCUMENT.		DWN 25MAR2008 Abraham,G.	STE TE Connectivity													
		CHK 26MAR2008 Goepfel,C.														
DIMENSIONS: mm		TOLERANCES UNLESS OTHERWISE SPECIFIED:		NAME 5 POS.POS.-LOCK HOUSING (RELAY) 5 pol. Pos.-Lock Gehaeuse (Relais)												
<table border="0"> <tr><td>0 PLC</td><td>±0.2</td></tr> <tr><td>1 PLC</td><td>±0.2</td></tr> <tr><td>2 PLC</td><td>±0.2</td></tr> <tr><td>3 PLC</td><td>±0.2</td></tr> <tr><td>4 PLC</td><td>±0.2</td></tr> <tr><td>ANGLES</td><td>±1°30'</td></tr> </table>		0 PLC	±0.2	1 PLC	±0.2	2 PLC	±0.2	3 PLC	±0.2	4 PLC	±0.2	ANGLES	±1°30'	PRODUCT SPEC 108-18112-1	SIZE A3	CAGE CODE 00779
0 PLC	±0.2															
1 PLC	±0.2															
2 PLC	±0.2															
3 PLC	±0.2															
4 PLC	±0.2															
ANGLES	±1°30'															
MATERIAL -		FINISH -	DRAWING NO C=926526	RESTRICTED TO -												
		WEIGHT 3.3 g	SCALE 2:1	SHEET 1 OF 1												
		CUSTOMER DRAWING	REV P2													