



Chipsmall Limited consists of a professional team with an average of over 10 year of expertise in the distribution of electronic components. Based in Hongkong, we have already established firm and mutual-benefit business relationships with customers from,Europe,America and south Asia,supplying obsolete and hard-to-find components to meet their specific needs.

With the principle of "Quality Parts,Customers Priority,Honest Operation,and Considerate Service",our business mainly focus on the distribution of electronic components. Line cards we deal with include Microchip,ALPS,ROHM,Xilinx,Pulse,ON,Everlight and Freescale. Main products comprise IC,Modules,Potentiometer,IC Socket,Relay,Connector.Our parts cover such applications as commercial,industrial, and automotives areas.

We are looking forward to setting up business relationship with you and hope to provide you with the best service and solution. Let us make a better world for our industry!



Contact us

Tel: +86-755-8981 8866 Fax: +86-755-8427 6832

Email & Skype: info@chipsmall.com Web: www.chipsmall.com

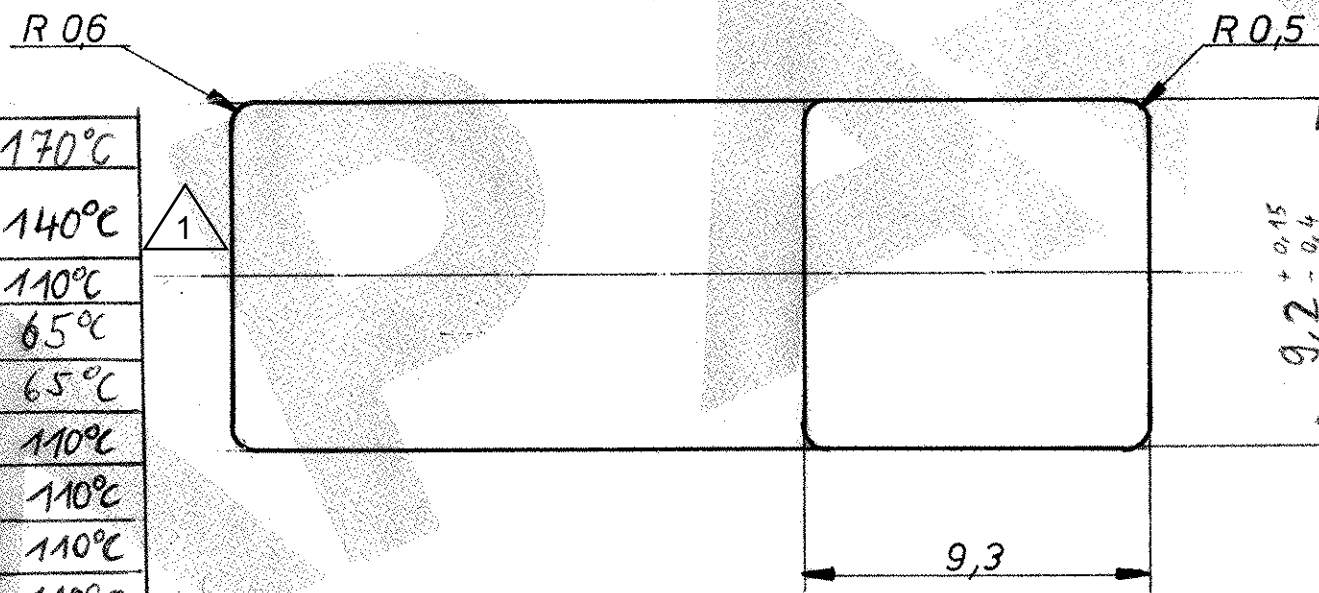
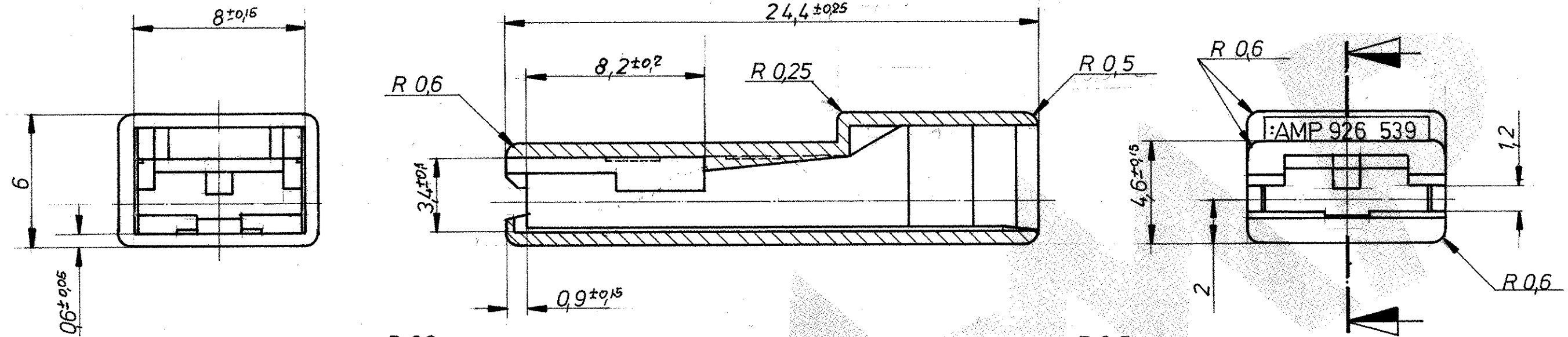
Address: A1208, Overseas Decoration Building, #122 Zhenhua RD., Futian, Shenzhen, China



WAR P 78-9526

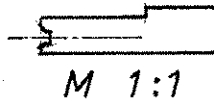
REV	REVISION RECORD	DWN	DATE	APVD
K8	REVISED PER ECR-15-016360	NK	10MAR2016	LP

△ 1 OBSOLETE PART NUMBER



1-926 539-7	PA 4.6 GF 15	schwarz	V-2	170°C
1-926 539-6	PA 6.6 ZYTEL E103 HSL	natur	V-2	140°C
1-926 539-5	PA 6.6	weiß	V-2	110°C
1-926 539-4	PP	schwarz	HB	65°C
1-926 539-3	PP	rot	HB	65°C
1-926 539-2	PA 6.6	orange	V-2	110°C
1-926 539-1	PA 6.6	violett	V-2	110°C
1-926 539-0	PA 6.6	gelb	V-2	110°C
926 539-9	PA 6.6	blau	V-2	110°C
926 539-8	PA 6.6	grün	V-2	110°C
926 539-7	PA 6.6	braun	V-2	110°C
926 539-6	PP	natur	HB	65°C
926 539-5	PBT	schwarz	V-0	140°C
926 539-4	PA 6.6	grau	V-2	110°C
926 539-3	PA 6.6	schwarz	V-2	105°C
926 539-2	PA 6.6	rot	V-2	110°C
926 539-1	PA 6.6	natur	V-2	110°C

△ 1



Änderungen, die dem technischen Fortschritt dienen, behalten wir uns vor.

STE TE Connectivity

Benennung: **Isolationshuelse fuer 6.3mm Steckhuelse**

K

Bestell-Nr.	Werkstoff	Oberfläche Farbe	Nicht tolerierte Maße ± 0,4 mm ± 1,5°	Format B	Zeichnungs-Nr. 926539
Gez. 18.10.78 Joku	Gepr. 17.11.78 Romahy	Gepr.	Maßstab 5:1	Blatt-Nr	REV K8