



Chipsmall Limited consists of a professional team with an average of over 10 year of expertise in the distribution of electronic components. Based in Hongkong, we have already established firm and mutual-benefit business relationships with customers from,Europe,America and south Asia,supplying obsolete and hard-to-find components to meet their specific needs.

With the principle of “Quality Parts,Customers Priority,Honest Operation,and Considerate Service”,our business mainly focus on the distribution of electronic components. Line cards we deal with include Microchip,ALPS,ROHM,Xilinx,Pulse,ON,Everlight and Freescale. Main products comprise IC,Modules,Potentiometer,IC Socket,Relay,Connector.Our parts cover such applications as commercial,industrial, and automotives areas.

We are looking forward to setting up business relationship with you and hope to provide you with the best service and solution. Let us make a better world for our industry!



Contact us

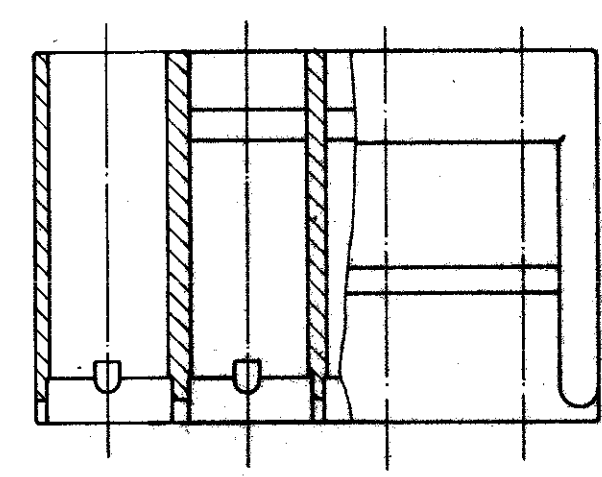
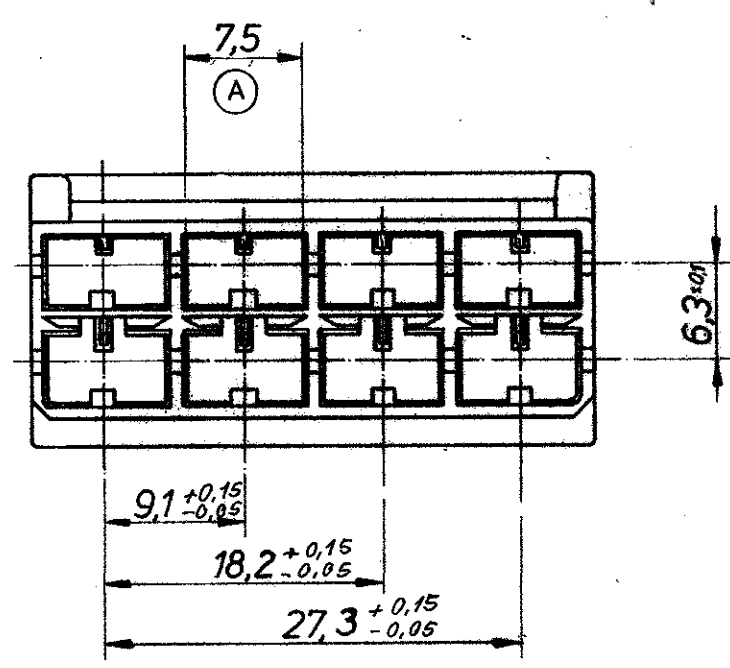
Tel: +86-755-8981 8866 Fax: +86-755-8427 6832

Email & Skype: info@chipsmall.com Web: www.chipsmall.com

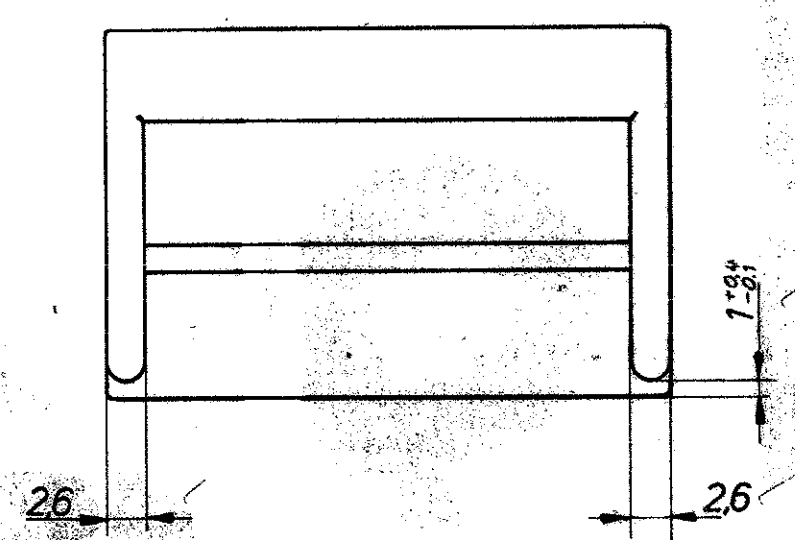
Address: A1208, Overseas Decoration Building, #122 Zhenhua RD., Futian, Shenzhen, China



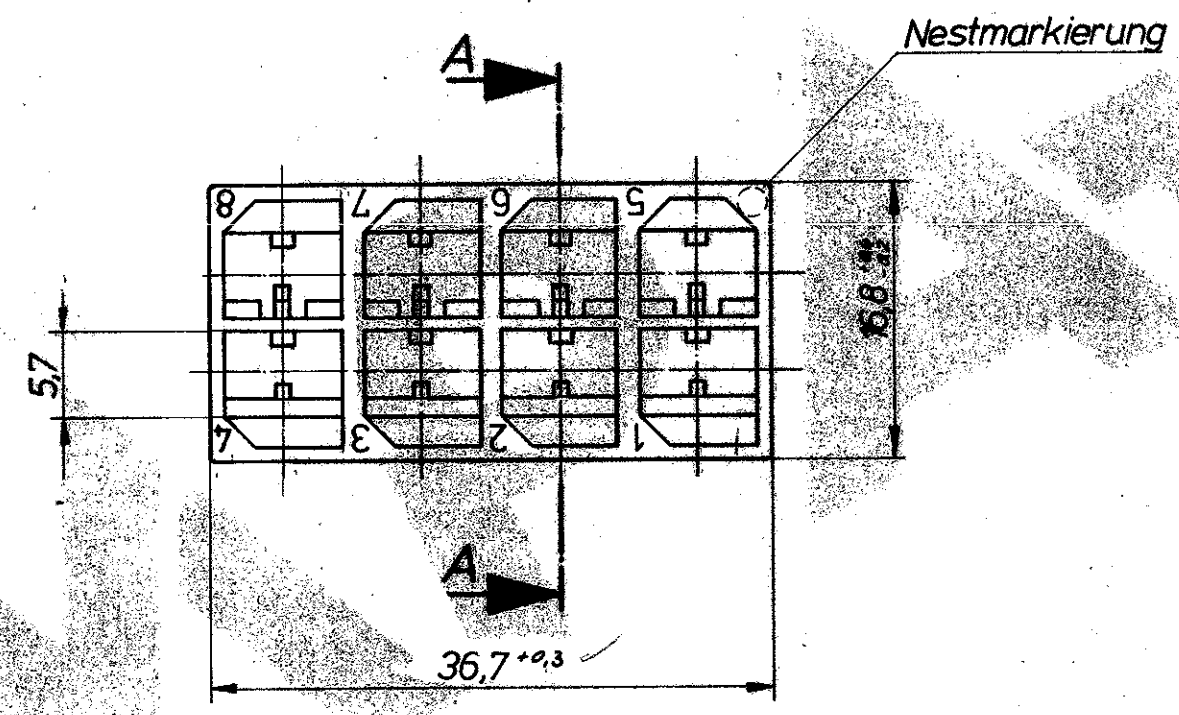
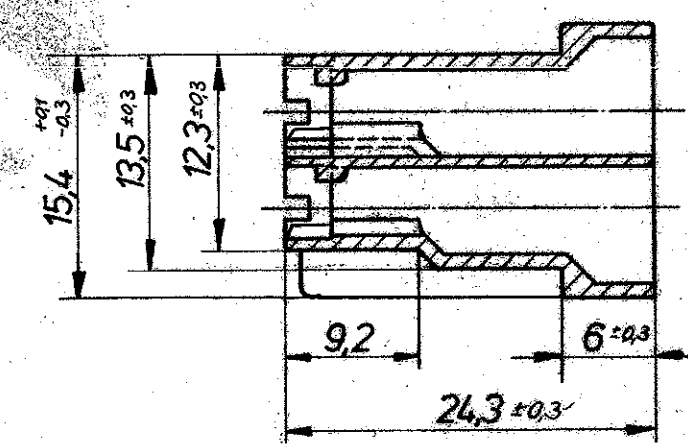
Index	Anderung	Tag	Name
A	Maß 7,5 war 7,8 +0,2	29.6.82	Lindke
B	-9; 1-926 646-1 hinein	19.11.87	Schan
D	Anpassung an Produktrevision.	11.11.96	B. Singer



Ansicht "X"



Schnitt A-A



- 1 Nicht vermaßte Wanddicken 0,6^{+0,2}
- 2 Nicht vermaßte Radien R0,3^{+0,2}

↑
"X"

1-926 646-1	PA 6.6	orange
926 646-9	PA 6.6	braun
926 646-8	PA 6.6	weiß
926 646-7	PA 6.6	blau
926 646-6	PA 6.6	gelb
926 646-5	PA 6.6	grau
926 646-4	PA 6.6	rot
926 646-3	PA 6.6	natur
926 646-2	PA 6.6	grün
926 646-1	PA 6.6	schwarz

Änderungen, die dem technischen Fortschritt dienen, behalten wir uns vor.

Bestell-Nr.	Werkstoff	Oberfläche	Nicht tolerierte Maße	Format	Zeichnungs-Nr.
Gez. 25.7.80 Johannes	Gepr. Adami	Farbe	± 0,2 mm ± 1,5 °	C	8 poliges POSITIVE LOCK Gehäuse der Serie 6,3 (250)
Maßstab 2:1			Blatt-Nr. 1 von 1		

War 79-9864

passend zu 925341