



Chipsmall Limited consists of a professional team with an average of over 10 year of expertise in the distribution of electronic components. Based in Hongkong, we have already established firm and mutual-benefit business relationships with customers from,Europe,America and south Asia,supplying obsolete and hard-to-find components to meet their specific needs.

With the principle of "Quality Parts,Customers Priority,Honest Operation,and Considerate Service",our business mainly focus on the distribution of electronic components. Line cards we deal with include Microchip,ALPS,ROHM,Xilinx,Pulse,ON,Everlight and Freescale. Main products comprise IC,Modules,Potentiometer,IC Socket,Relay,Connector.Our parts cover such applications as commercial,industrial, and automotives areas.

We are looking forward to setting up business relationship with you and hope to provide you with the best service and solution. Let us make a better world for our industry!



Contact us

Tel: +86-755-8981 8866 Fax: +86-755-8427 6832

Email & Skype: info@chipsmall.com Web: www.chipsmall.com

Address: A1208, Overseas Decoration Building, #122 Zhenhua RD., Futian, Shenzhen, China



LOC	DIST	REVISIONS					
		P	LTR	DESCRIPTION	DATE	DWN	APVD
A1	-		C	-3 hinzu	19FEB2002	-	Lau.
			D	NEW CAVITY DETAIL ADDED	29AUG2006	Haas	Goep.
			D1	ECR-10-026307	17JUN2011	KK	HMR

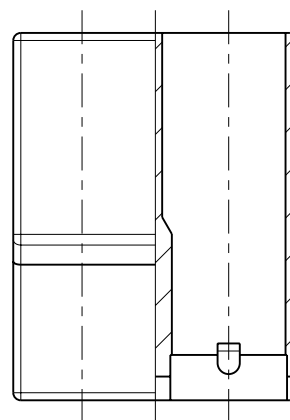
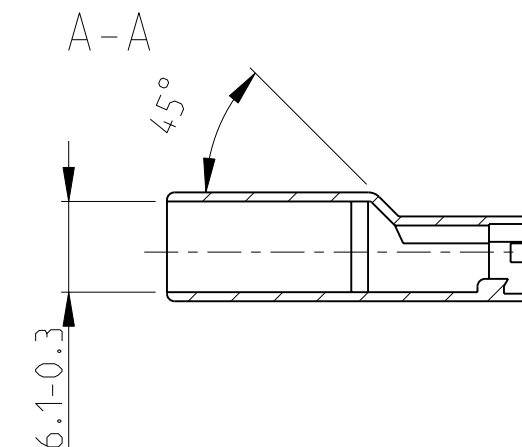
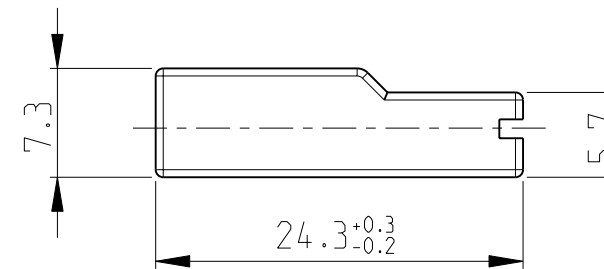
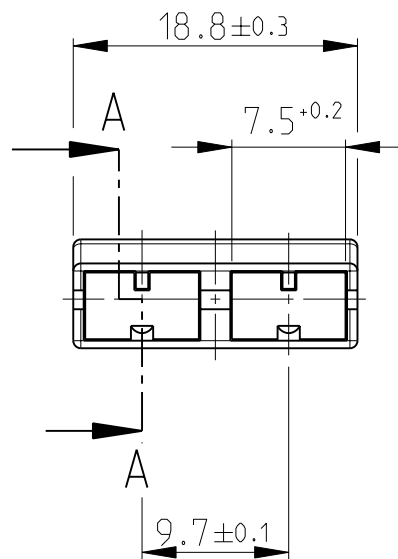
war 80-9407 was

FORD 82GB-13480-AA Nummer des Schalters
number of the switch

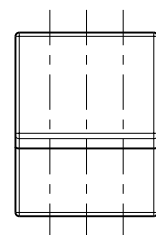
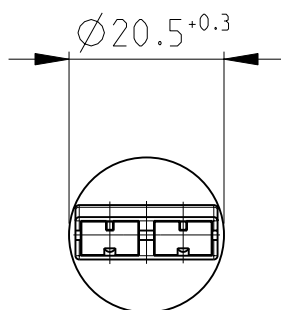
FORD 82 GG 14488 NA

Bemerkungen:
notes:

1 - FOR FORD ONLY



Maßstab: 1:1
scale




für Flachstecker: SL 100.56 Form B
for tab:

Gehäusematerial gemäß: FORD SPEC SKM-4D 9585-A/B
housing material to:

passend zu Zeichnung: 94BG-14474-ZAA
fitting with drawing:

OBSOLETE	926 716-3	PA 6.6	BLACK
	926 716-2 1	PA 6.6	NATURAL
	926 716-1 1	PA 6.6	BLACK
	PART NO	MATERIAL	COLOR

THIS DRAWING IS A CONTROLLED DOCUMENT.		DWN	W.E.Mukohl	13JUN1980	 TE Connectivity		
DIMENSIONS: mm		CHK	Wendling	-			
TOLERANCES UNLESS OTHERWISE SPECIFIED:		APVD	Bleicher, M.	01SEP2006	NAME		
0 PLC ±0.2 1 PLC ± 2 PLC ± 3 PLC ± 4 PLC ± ANGLES ±1°30'		PRODUCT SPEC	2POS. POSITIVE LOCK HOUSING			RESTRICTED TO	
MATERIAL -		FINISH -	APPLICATION SPEC -		SIZE	CAGE CODE	DRAWING NO
		WEIGHT		1.08g	A3	00779	©=926716
		CUSTOMER DRAWING			SCALE	2:1	SHEET 1 OF 1
					REV D1		