



Chipsmall Limited consists of a professional team with an average of over 10 year of expertise in the distribution of electronic components. Based in Hongkong, we have already established firm and mutual-benefit business relationships with customers from,Europe,America and south Asia,supplying obsolete and hard-to-find components to meet their specific needs.

With the principle of “Quality Parts,Customers Priority,Honest Operation,and Considerate Service”,our business mainly focus on the distribution of electronic components. Line cards we deal with include Microchip,ALPS,ROHM,Xilinx,Pulse,ON,Everlight and Freescale. Main products comprise IC,Modules,Potentiometer,IC Socket,Relay,Connector.Our parts cover such applications as commercial,industrial, and automotives areas.

We are looking forward to setting up business relationship with you and hope to provide you with the best service and solution. Let us make a better world for our industry!



## Contact us

Tel: +86-755-8981 8866 Fax: +86-755-8427 6832

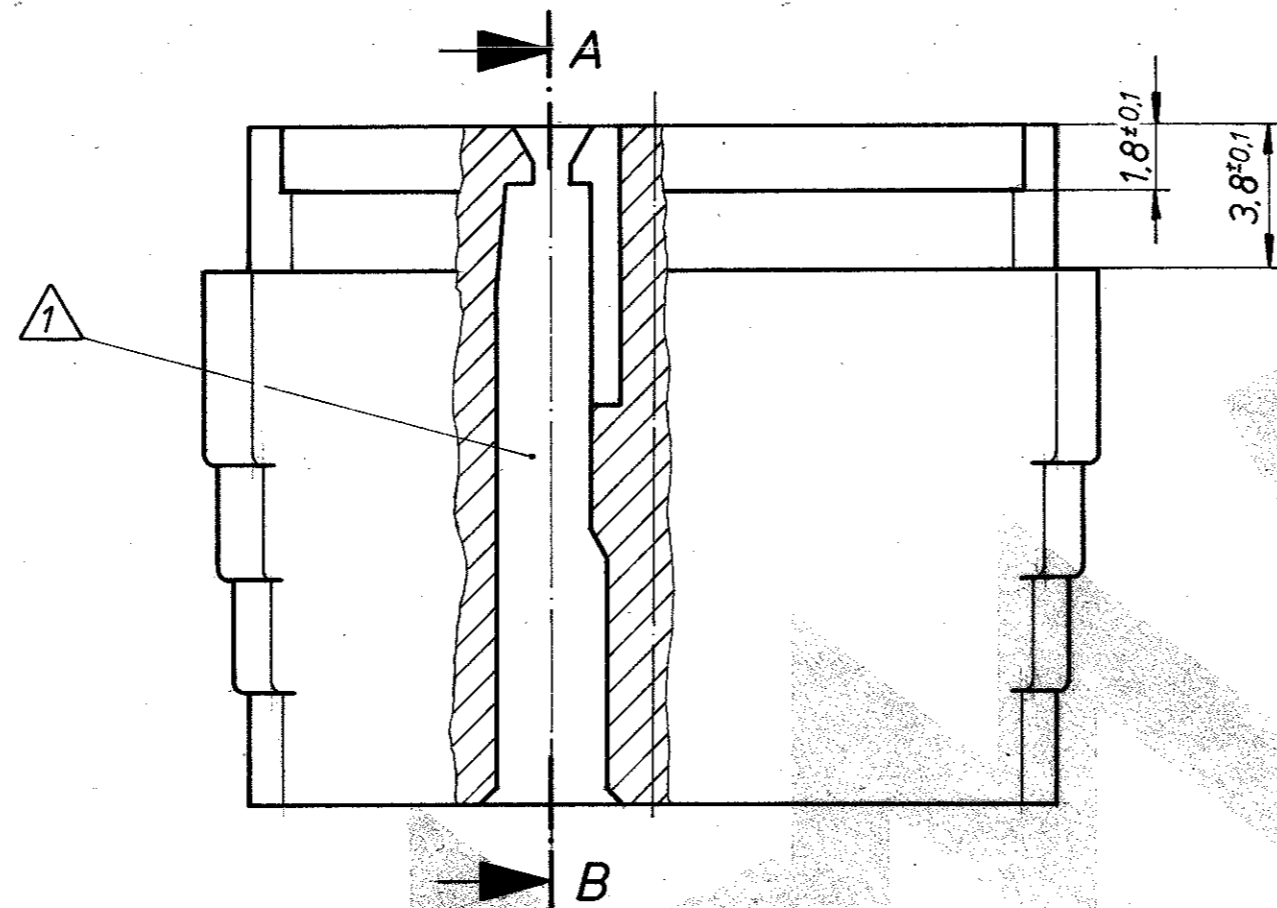
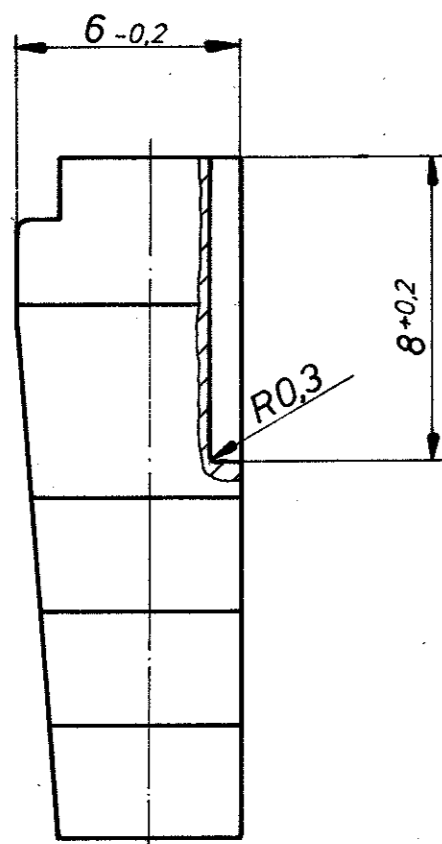
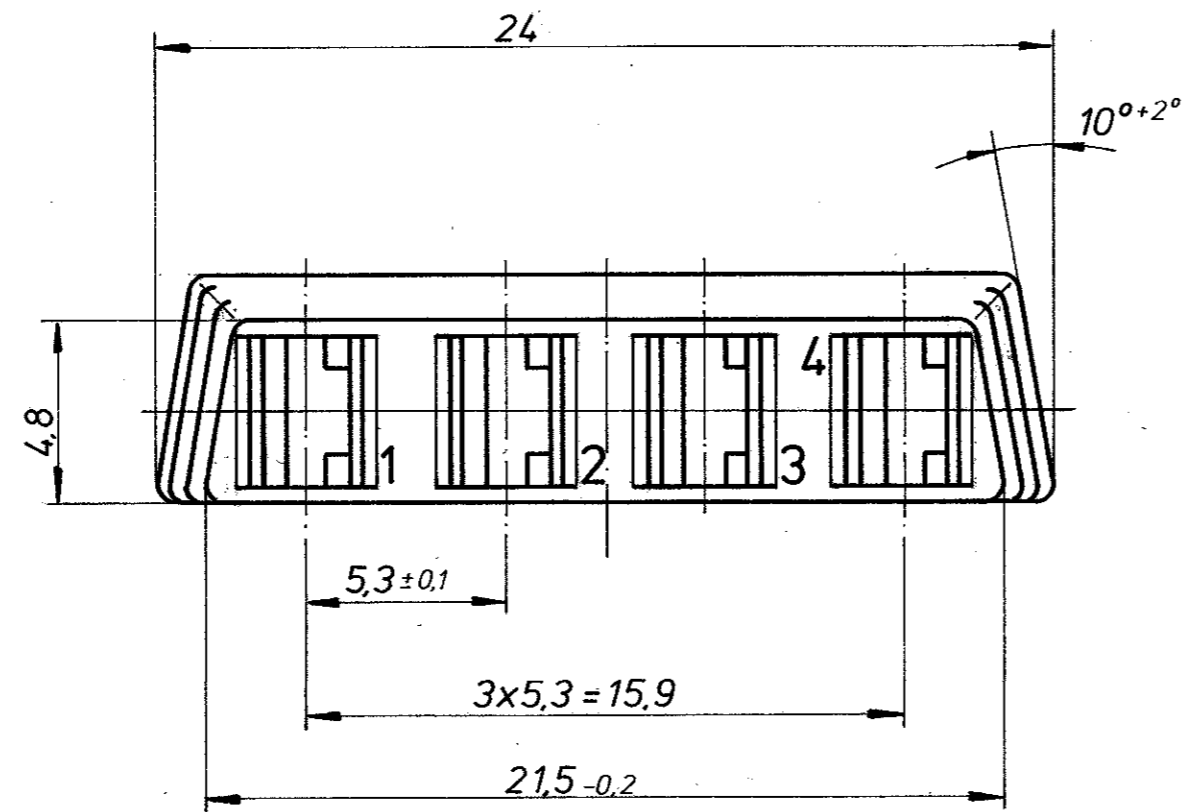
Email & Skype: info@chipsmall.com Web: www.chipsmall.com

Address: A1208, Overseas Decoration Building, #122 Zhenhua RD., Futian, Shenzhen, China

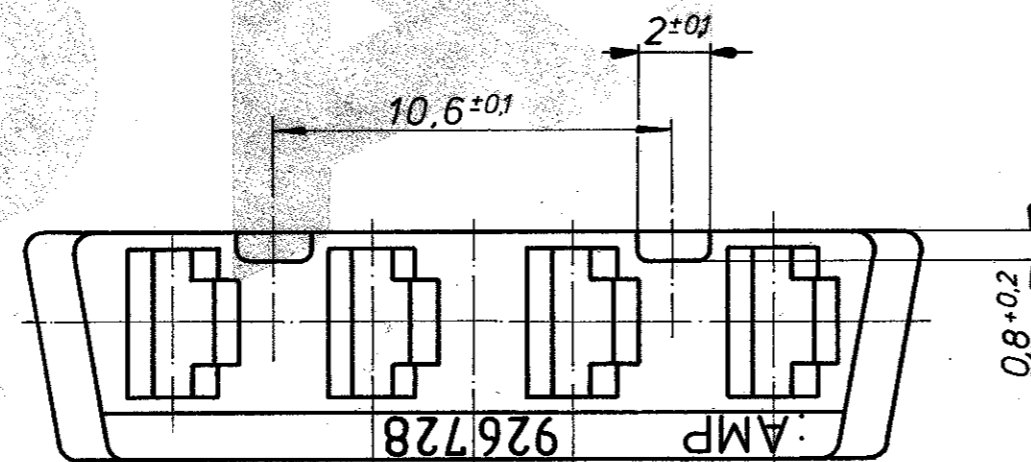
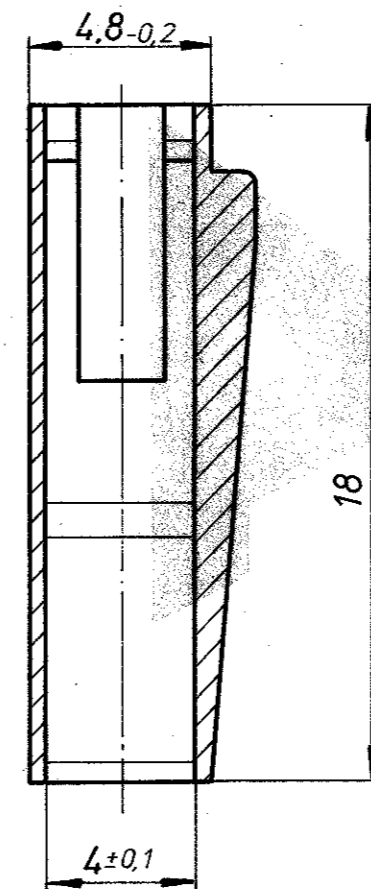


Zeichnung geschützt durch  
 © Copyright 1981  
 AMP DEUTSCHLAND GmbH  
 Alle Rechte vorbehalten

Index	Anderung	Tag	Name
01	Zchnng. ergänzt u. berichtigt	27.03.81	Tudman



Schnitt A-B  
SECTION A-B



*Kein Gegenstück  
(f. Alheizler)*

Änderungen, die dem technischen Fortschritt dienen, behalten wir uns vor.

1 Kammer geeignet für .110 SERIES FASTIN-FASTON Steckhülse PN 160 655-2  
 CAVITY SUITABLE FOR .110 SERIES FASTIN-FASTON RECEPTACLE PN 160 655-2

		<b>AMP</b> AMP DEUTSCHLAND GmbH Langen b. Ffm.	
		Benennung <b>4 POS. FF RECEPT. HSG. SERIE .110</b>	
926 728-1	ZytelE103HSL	BLACK,DULL	<b>K</b>
Bestell-Nr.	Werkstoff	Oberfläche Farbe	
Gez. 20.1.81	Gepr. 21.1.81	Gepr. 22.1.81	Nicht tolerierte Maße $\pm 0.2$ mm $\pm 0.5$ mm Maßstab 5:1
		Format <b>C</b> Zeichnungs-Nr. <b>926 728</b> Blatt-Nr. <b>01</b> ~80-9751	